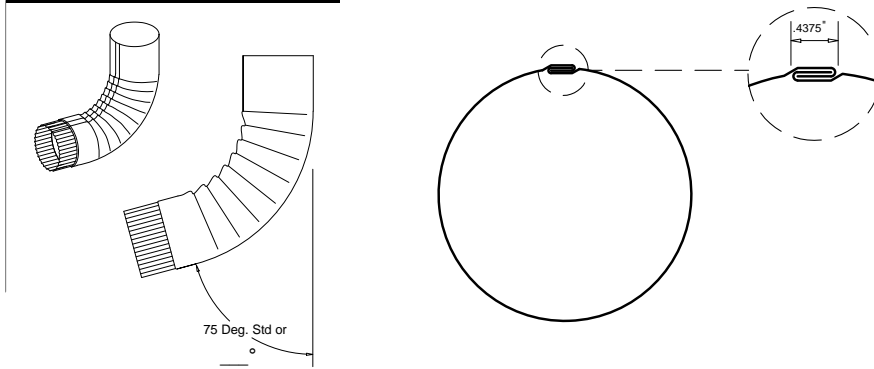


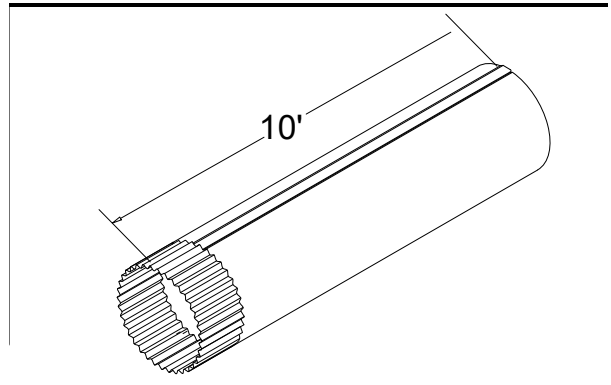
ROUND DOWNSPOUT + ACCESSORIES



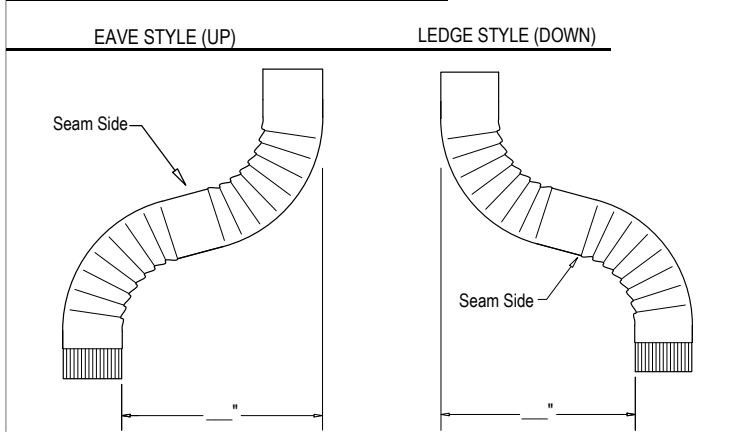
ELBOWS ③



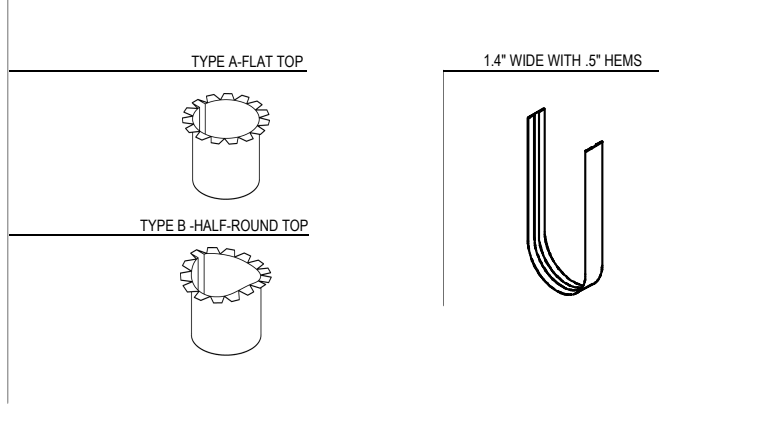
ROUND DOWNSPOUT



ONE-PIECE OFFSETS ③



OUTLET TUBES



STRAPS

SIZE:

- | | |
|---|--|
| <input type="checkbox"/> 3" ROUND DOWNSPOUT ① | <input type="checkbox"/> 7" ROUND DOWNSPOUT ③ |
| <input type="checkbox"/> 4" ROUND DOWNSPOUT | <input type="checkbox"/> 8" ROUND DOWNSPOUT ③ |
| <input type="checkbox"/> 5" ROUND DOWNSPOUT | <input type="checkbox"/> 9" ROUND DOWNSPOUT ③ |
| <input type="checkbox"/> 6" ROUND DOWNSPOUT | <input type="checkbox"/> 10" ROUND DOWNSPOUT ③ |

NOTES:

- ① Not available in 22ga steel or .050 aluminum.
- ② For products/material not listed, please inquire.
- ③ Elbows and offsets that are 7" and larger will be mitered and caulked.
- ④ Colors are only available for Galvalume and Aluminum

MATERIAL ②

- | | |
|---|---|
| <input type="checkbox"/> 22GA GALVALUME® | <input type="checkbox"/> .032 ALUMINUM |
| <input type="checkbox"/> 24GA GALVALUME® | <input type="checkbox"/> .040 ALUMINUM |
| <input type="checkbox"/> 22GA STAINLESS STEEL | <input type="checkbox"/> .050 ALUMINUM |
| <input type="checkbox"/> 24GA STAINLESS STEEL | <input type="checkbox"/> 22GA/.8MM NEDZINK® |
| <input type="checkbox"/> 16OZ COPPER | <input type="checkbox"/> 24GA/.7MM NEDZINK® |
| <input type="checkbox"/> 20OZ COPPER | |

④ COLOR: _____

QUANTITIES:

____ LINEAL FEET @ 10'-0" LENGTHS

____ OUTLETS STYLE A ____ STYLE B ____

____ ELBOWS (STD. 75°) ③

SEAM LONG SIDE: ____ SEAM SHORT SIDE: ____

____ ELBOWS (CUSTOM DEGREE) ____ ° ③

SEAM LONG SIDE: ____ SEAM SHORT SIDE: ____

____ ONE-PIECE OFFSETS ____" OFFSET AMOUNT ③

EAVE LEDGE

____ ONE-PIECE OFFSETS ____" OFFSET AMOUNT ③

EAVE LEDGE

____ STRAPS (STANDARD =2 PER 10' DOWNSPOUT)

Please forward completed form to sales@dmimetals.com or your respective Territory Manager.



58 Klema Drive N
 Reynoldsburg, Ohio 43068
 800-828-1510
sales@dmimetals.com
www.dमितals.com

PROJECT INFORMATION

____ (PROJECT NAME)

____ (ARCHITECT)

____ (CUSTOMER)