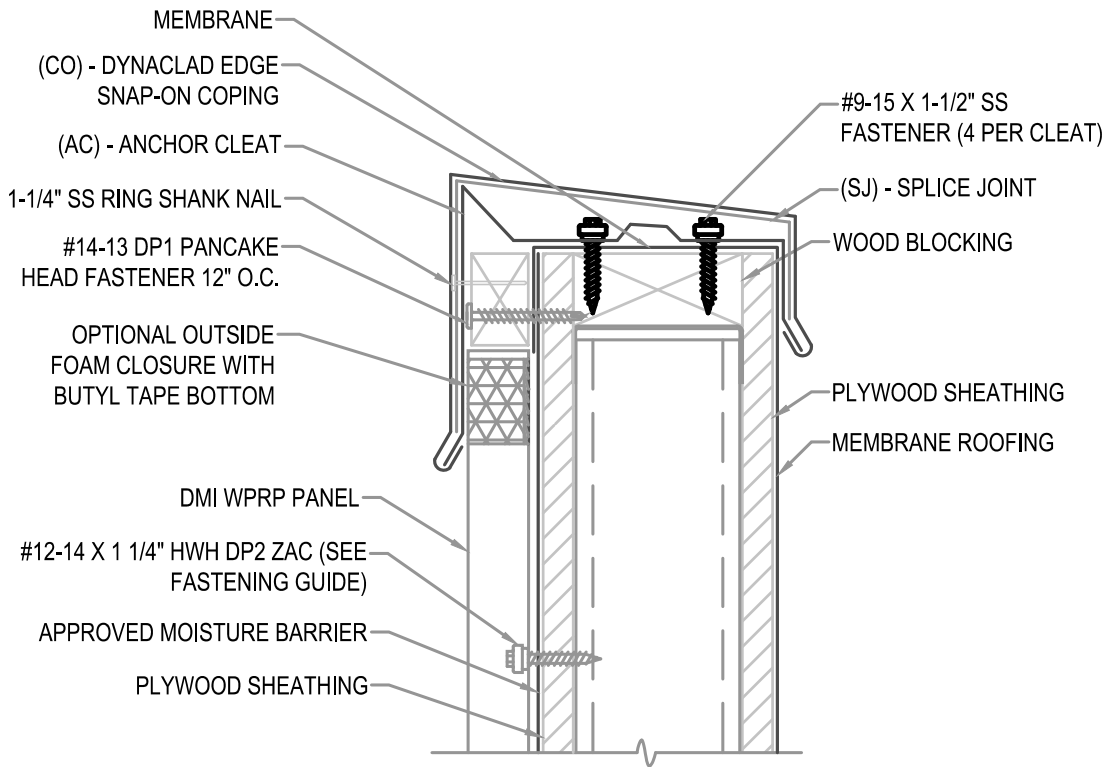


FASTENERS TO PENETRATE WOOD SHEETING
3/4" MIN. AND METAL FRAMING 1/2" MIN.

SEE DMI DYNACLAD EDGE INSTALLATION
GUIDE FOR COMPLETE FASTENING AND
INSTALLATION INFORMATION FOR ES-1
RATED SNAP-ON COPING



COPING WITH WOOD SUBSTRATE

• **PROVEN** • **DEPENDABLE** • **SUSTAINABLE** •
METAL ENVELOPE SYSTEMS SINCE 1988

WWW.DMIMETALS.COM

Detail:
WPRP-V-04-00

Issue/Rev Date:

01/17

Scale:

3"=1'-0"