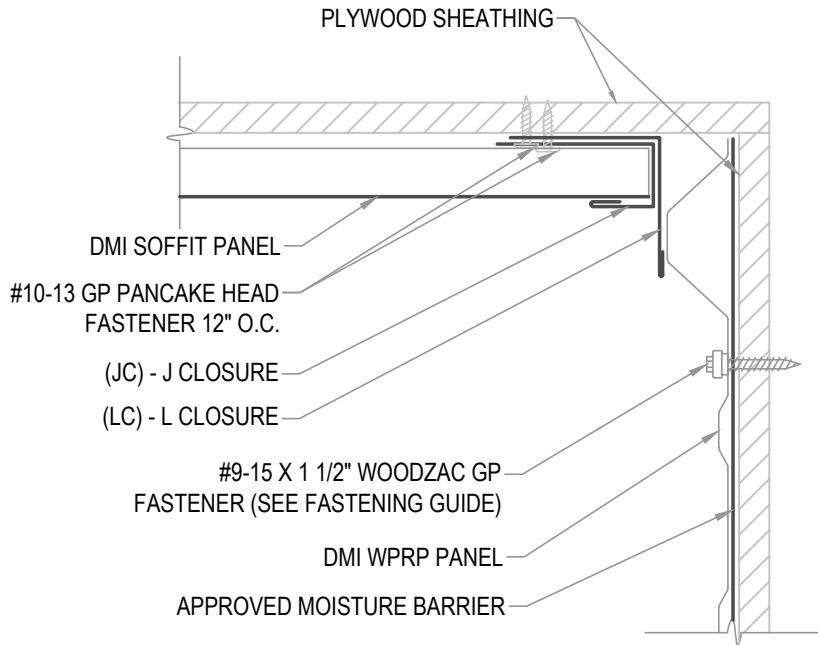


MAXIMUM PANEL ATTACHMENT FASTENER SPACING IS 24" O.C. ALL FASTENERS TO PENETRATE WOOD 3/4" MIN. AND METAL FRAMING 1/2" MIN.



SOFFIT TO WALL PANEL

• **PROVEN** • **DEPENDABLE** • **SUSTAINABLE** •
METAL ENVELOPE SYSTEMS SINCE 1988

WWW.DMIMETALS.COM

Detail:
WPRP-H-01-00

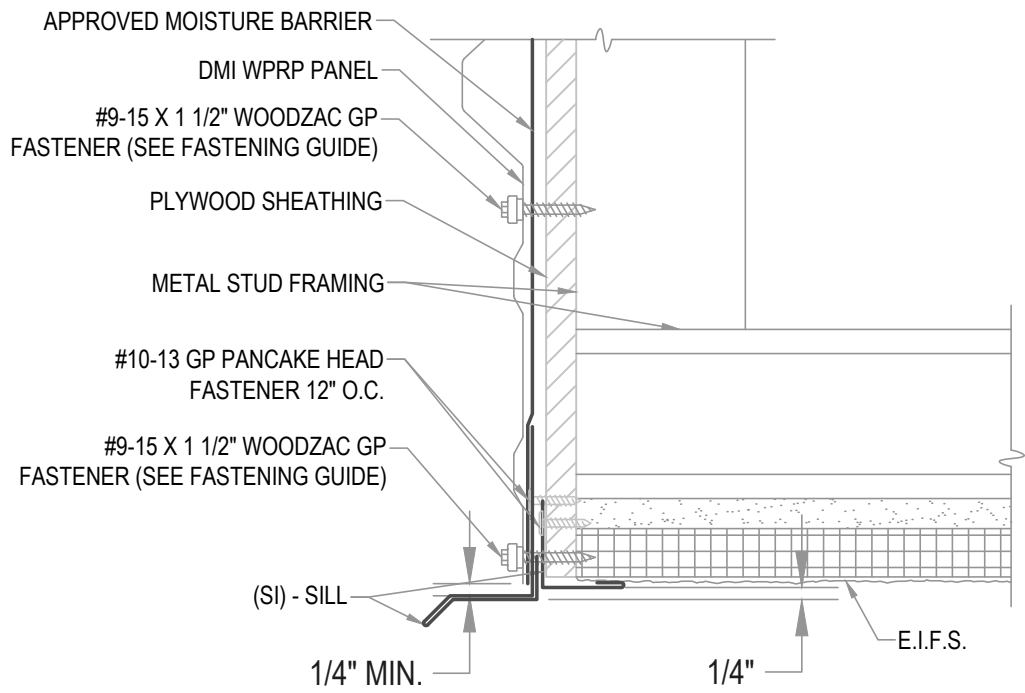
Issue/Rev Date:

01/17

Scale:

3"=1'-0"

MAXIMUM PANEL ATTACHMENT FASTENER SPACING IS 24" O.C. ALL FASTENERS TO PENETRATE WOOD 3/4" MIN. AND METAL FRAMING 1/2" MIN.



WALL PANEL W/ (EIFS SOFFIT)

• **PROVEN** • **DEPENDABLE** • **SUSTAINABLE** •
METAL ENVELOPE SYSTEMS SINCE 1988

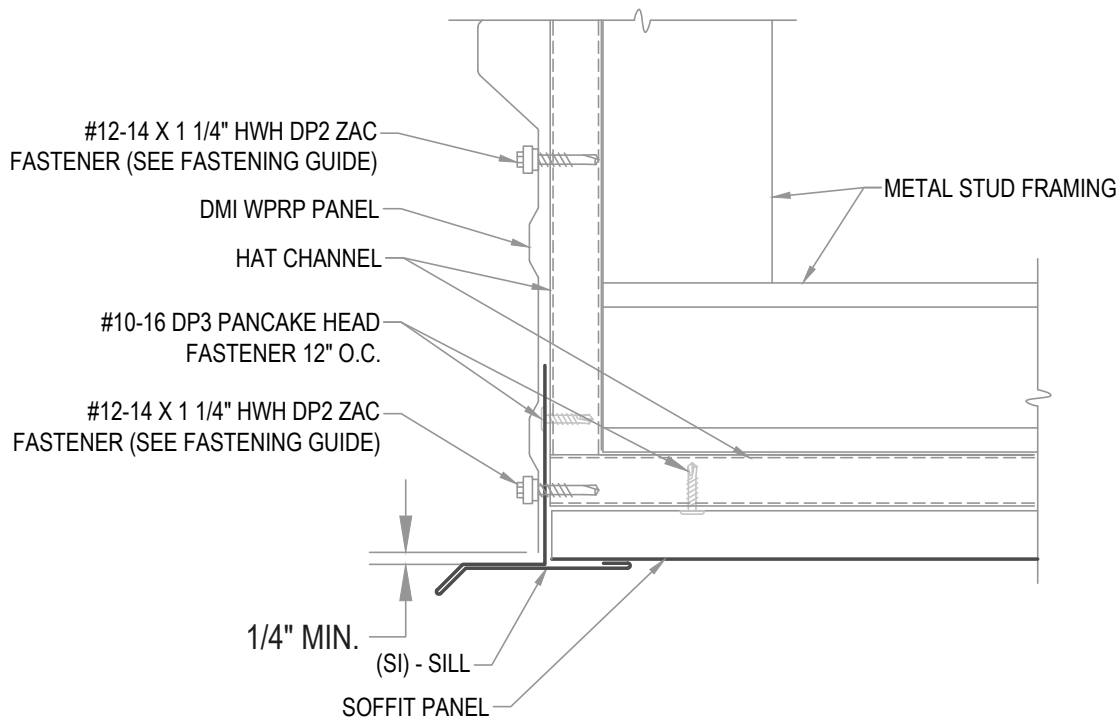
WWW.DMIMETALS.COM

Detail: **WPRP-H-02-00**

Issue/Rev Date: **01/17**

Scale: **3"=1'-0"**

MAXIMUM PANEL ATTACHMENT FASTENER SPACING IS 24" O.C. ALL FASTENERS TO PENETRATE WOOD 3/4" MIN. AND METAL FRAMING 1/2" MIN.



WALL PANEL W/ (PANEL SOFFIT)

• **PROVEN** • **DEPENDABLE** • **SUSTAINABLE** •
METAL ENVELOPE SYSTEMS SINCE 1988

WWW.DMIMETALS.COM

Detail:
WPRP-H-02-01

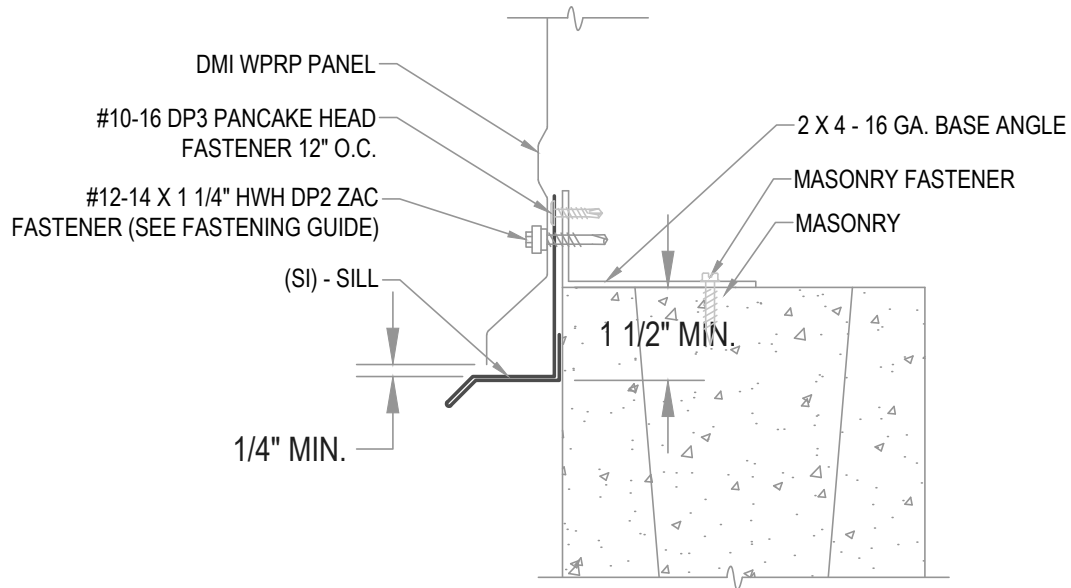
Issue/Rev Date:

01/17

Scale:

3"=1'-0"

MAXIMUM PANEL ATTACHMENT FASTENER SPACING IS 24" O.C. ALL FASTENERS TO PENETRATE WOOD 3/4" MIN. AND METAL FRAMING 1/2" MIN.



WALL PANEL W/ SILL (AT BLOCK)

• **PROVEN** • **DEPENDABLE** • **SUSTAINABLE** •
METAL ENVELOPE SYSTEMS SINCE 1988

WWW.DMIMETALS.COM

Detail:

WPRP-H-02-02

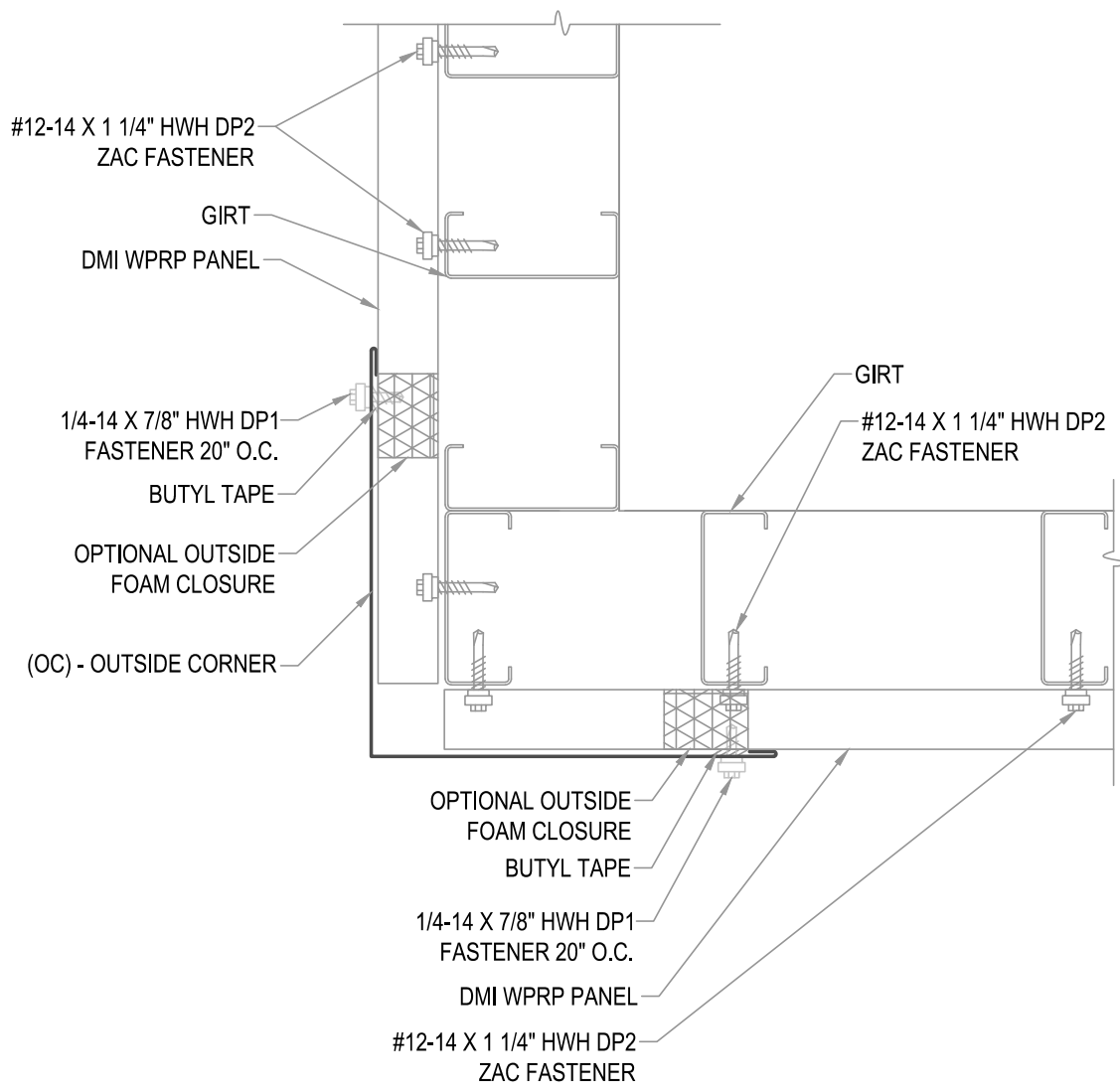
Issue/Rev Date:

01/17

Scale:

3"=1'-0"

MAXIMUM PANEL ATTACHMENT FASTENER SPACING IS 24" O.C. ALL FASTENERS TO PENETRATE WOOD 3/4" MIN. AND METAL FRAMING 1/2" MIN.



OUTSIDE CORNER

Detail:
WPRP-H-03-00

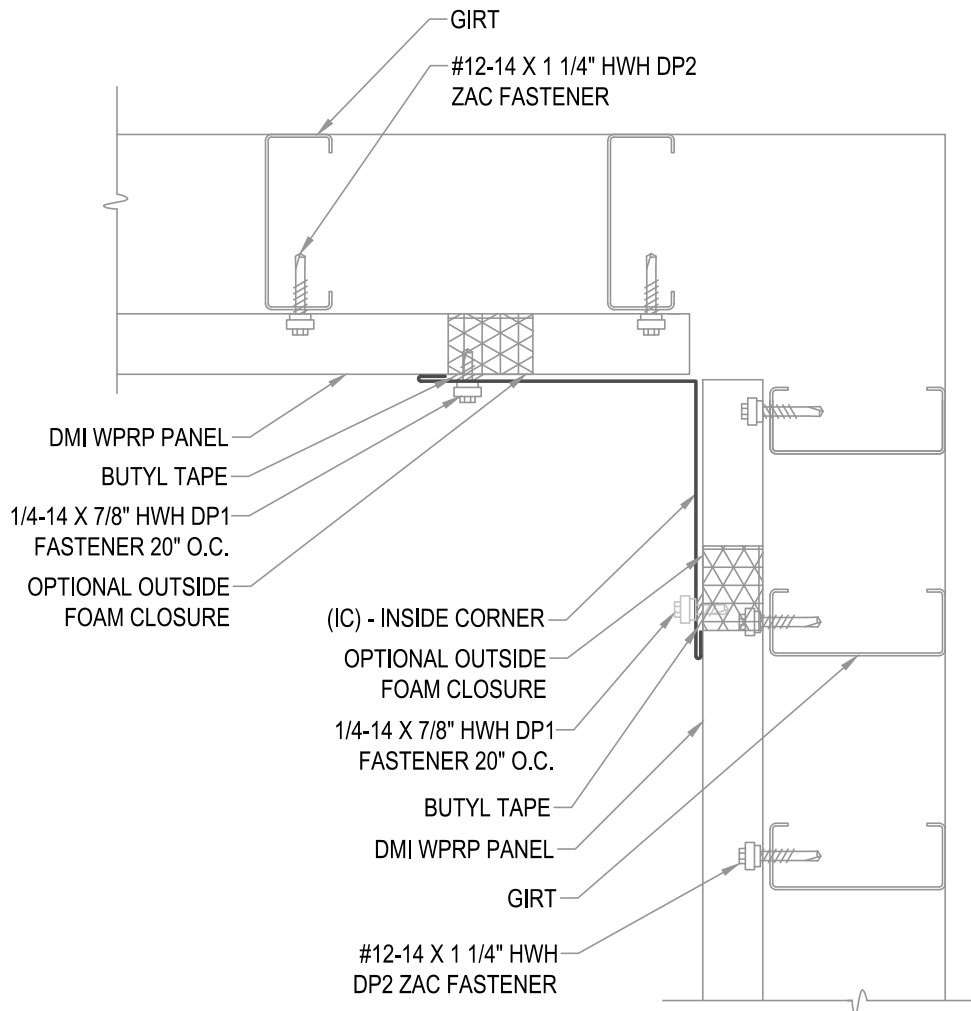
• **PROVEN** • **DEPENDABLE** • **SUSTAINABLE** •
METAL ENVELOPE SYSTEMS SINCE 1988

Issue/Rev Date: 01/17
Scale: 3"=1'-0"



WWW.DMIMETALS.COM

MAXIMUM PANEL ATTACHMENT FASTENER SPACING IS 24" O.C. ALL FASTENERS TO PENETRATE WOOD 3/4" MIN. AND METAL FRAMING 1/2" MIN.



(IC) - INSIDE CORNER
 OPTIONAL OUTSIDE
 FOAM CLOSURE
 1/4-14 X 7/8" HWH DP1
 FASTENER 20" O.C.
 BUTYL TAPE
 DMI WPRP PANEL
 GIRT
 #12-14 X 1 1/4" HWH
 DP2 ZAC FASTENER

DMI WPRP PANEL
 BUTYL TAPE
 1/4-14 X 7/8" HWH DP1
 FASTENER 20" O.C.
 OPTIONAL OUTSIDE
 FOAM CLOSURE

INSIDE CORNER

Detail:
 WPRP-H-03-01

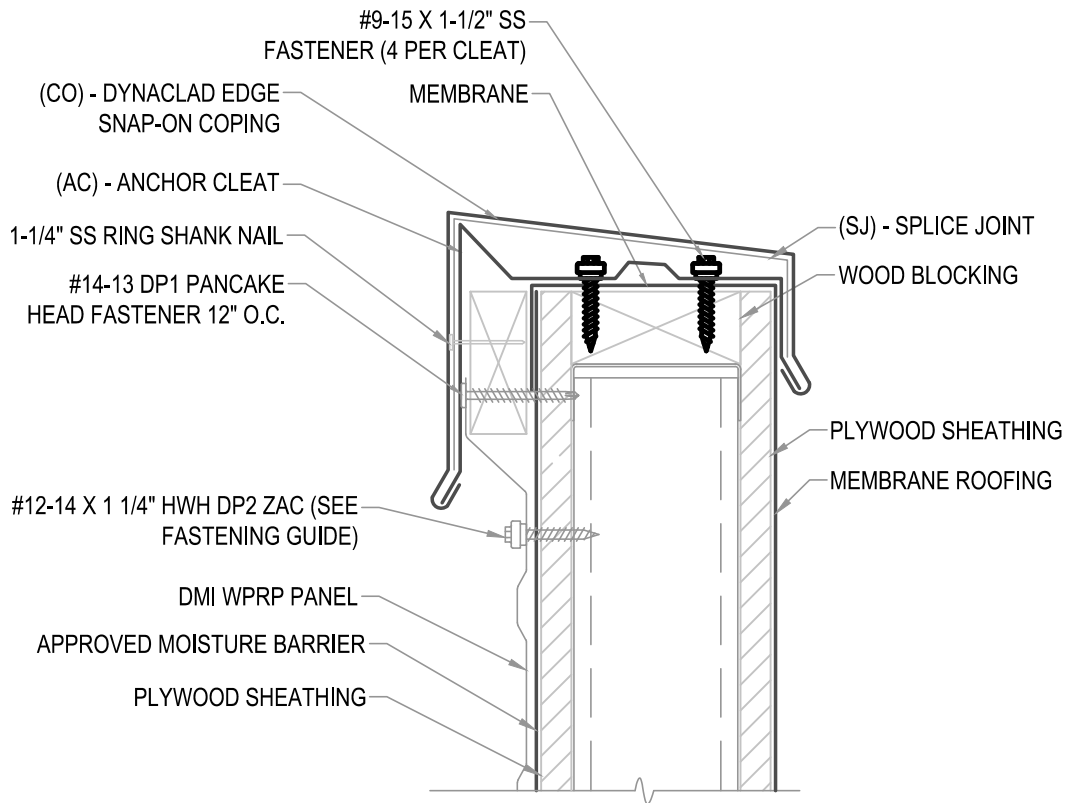
• PROVEN • DEPENDABLE • SUSTAINABLE •
 METAL ENVELOPE SYSTEMS SINCE 1988
 WWW.DMIMETALS.COM

Issue/Rev Date: 01/17
 Scale: 3"=1'-0"



FASTENERS TO PENETRATE WOOD SHEETING
3/4" MIN. AND METAL FRAMING 1/2" MIN.

SEE DMI DYNACLAD EDGE INSTALLATION
GUIDE FOR COMPLETE FASTENING AND
INSTALLATION INFORMATION FOR ES-1
RATED SNAP-ON COPING



COPING WITH WOOD SUBSTRATE

• **PROVEN** • **DEPENDABLE** • **SUSTAINABLE** •
METAL ENVELOPE SYSTEMS SINCE 1988

WWW.DMIMETALS.COM

Detail:

WPRP-H-04-00

Issue/Rev Date:

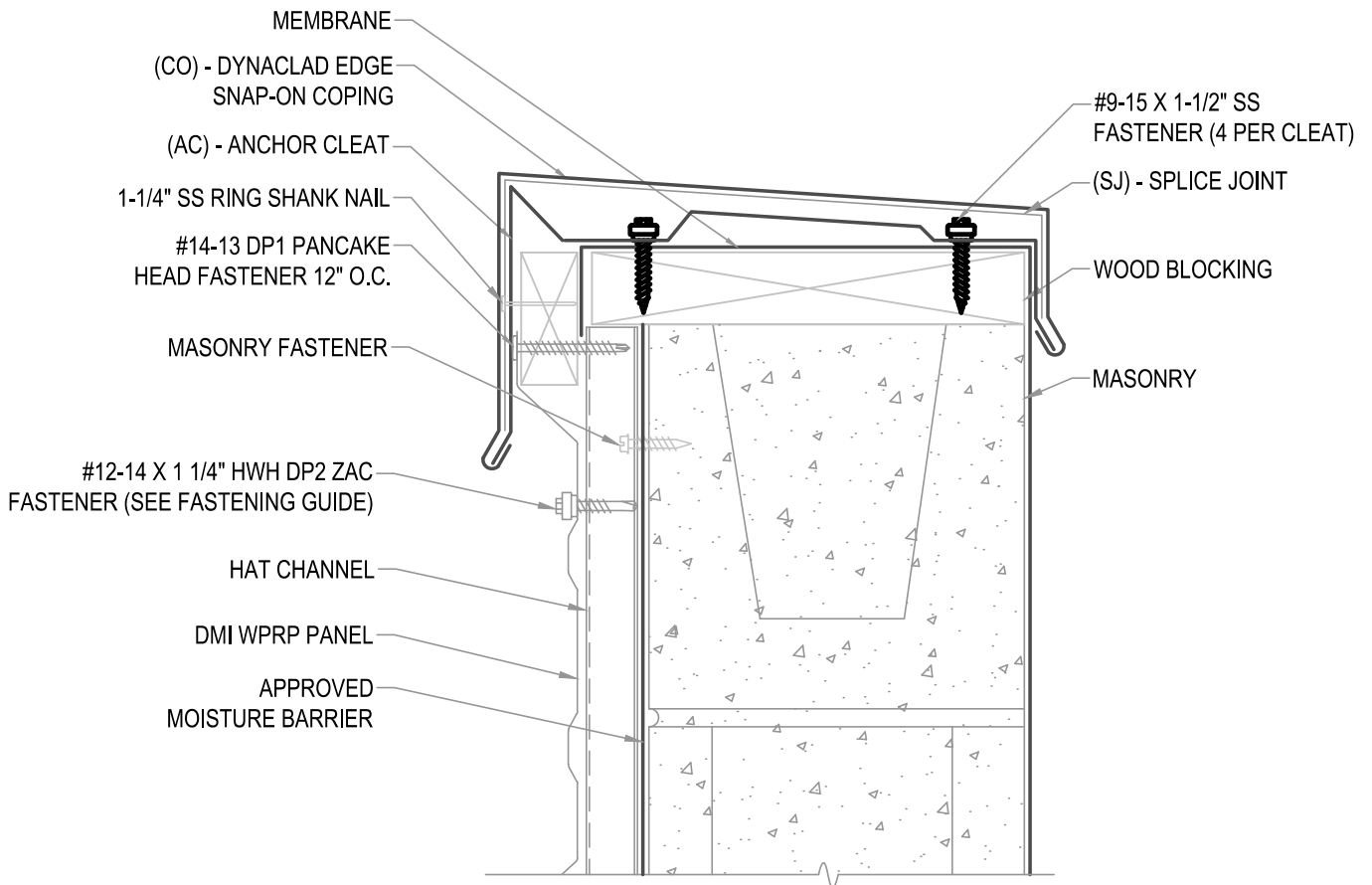
01/17

Scale:

3"=1'-0"

FASTENERS TO PENETRATE WOOD SHEETING
3/4" MIN. AND METAL FRAMING 1/2" MIN.

SEE DMI DYNACLAD EDGE INSTALLATION
GUIDE FOR COMPLETE FASTENING AND
INSTALLATION INFORMATION FOR ES-1
RATED SNAP-ON COPING



COPING WITH HAT CHANNEL

• **PROVEN** • **DEPENDABLE** • **SUSTAINABLE** •
METAL ENVELOPE SYSTEMS SINCE 1988

WWW.DMIMETALS.COM

Detail:
WPRP-H-04-01

Issue/Rev Date:

01/17

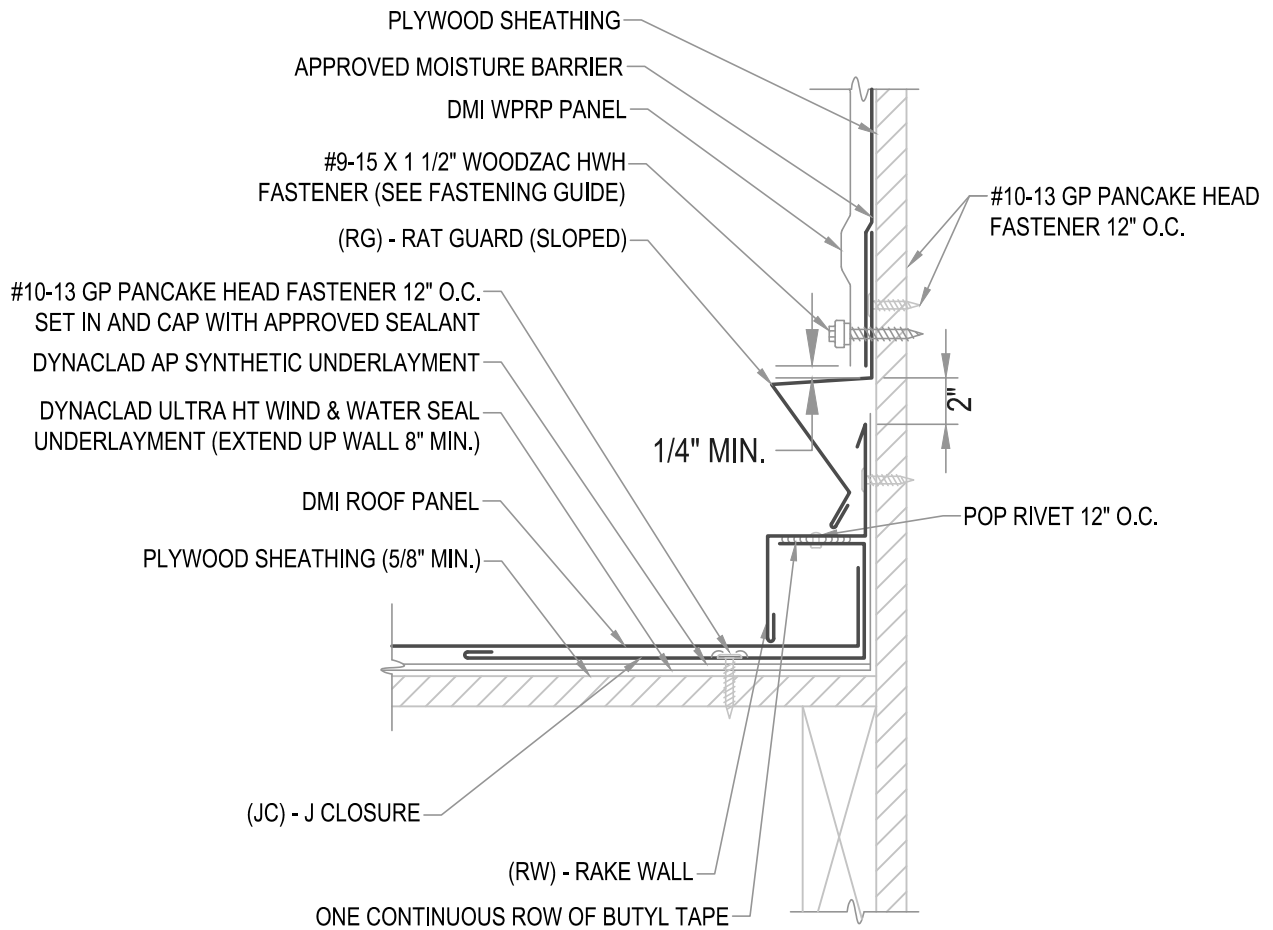
Scale:

3"=1'-0"

MAXIMUM PANEL ATTACHMENT FASTENER SPACING IS 24" O.C. ALL FASTENERS TO PENETRATE WOOD 3/4" MIN. AND METAL FRAMING 1/2" MIN.

FLASHING LAP NOTE

LAP RAKE WALL AND RAT GUARD (SLOPED) 2" MINIMUM WITH 2 ROWS OF BUTYL SEALANT.



RAKE WALL

• PROVEN • DEPENDABLE • SUSTAINABLE •
METAL ENVELOPE SYSTEMS SINCE 1988

WWW.DMIMETALS.COM

Detail:

WPRP-H-05-00

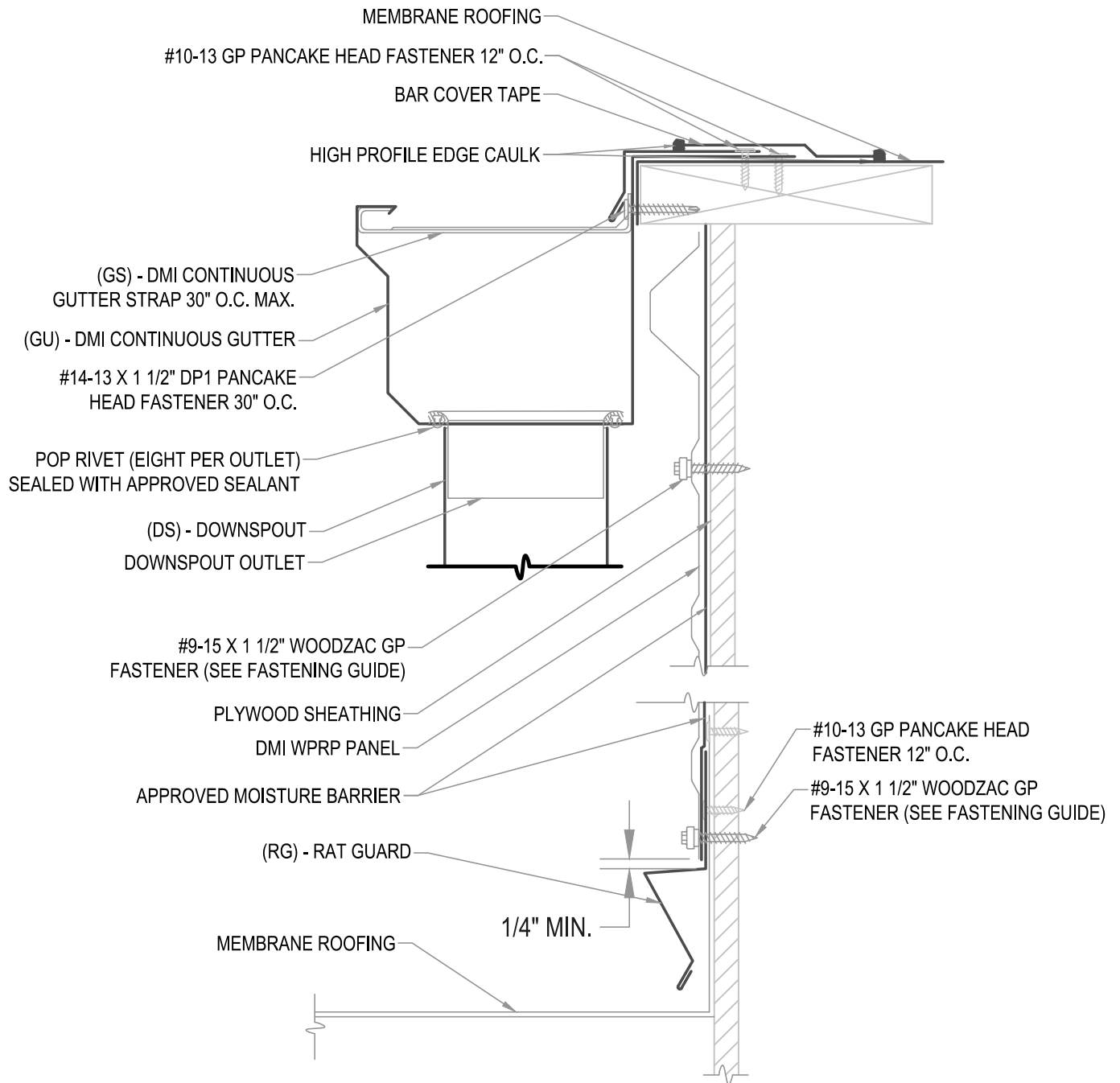
Issue/Rev Date:

01/17

Scale:

3"=1'-0"

MAXIMUM PANEL ATTACHMENT FASTENER SPACING IS 24" O.C. ALL FASTENERS TO PENETRATE WOOD 3/4" MIN. AND METAL FRAMING 1/2" MIN.



OPENING HEAD, SILL AND JAMB

• PROVEN • DEPENDABLE • SUSTAINABLE •
METAL ENVELOPE SYSTEMS SINCE 1988

WWW.DMIMETALS.COM

Detail:
WPRP-H-06-00

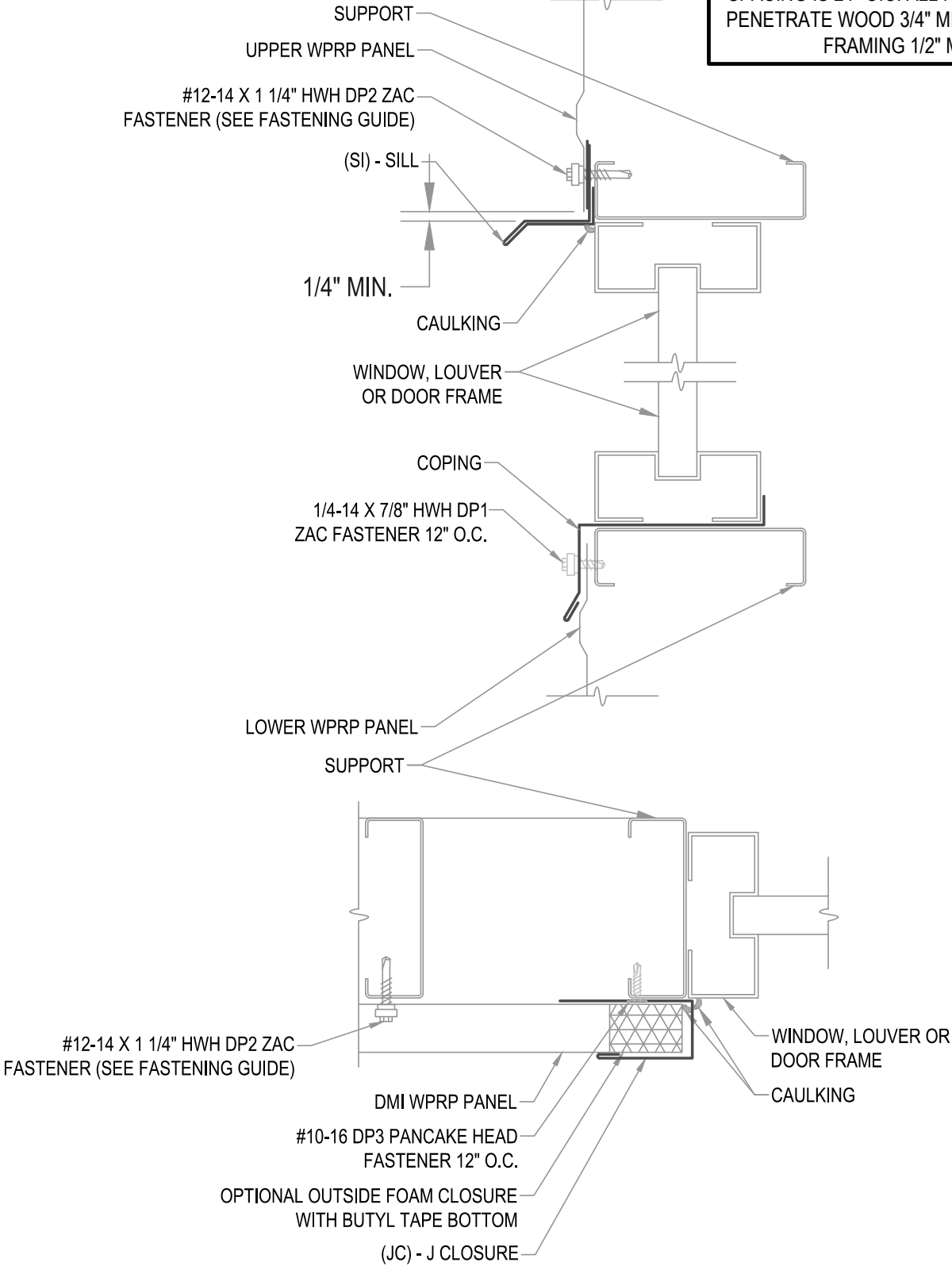
Issue/Rev Date:

01/17

Scale:

3"=1'-0"

MAXIMUM PANEL ATTACHMENT FASTENER SPACING IS 24" O.C. ALL FASTENERS TO PENETRATE WOOD 3/4" MIN. AND METAL FRAMING 1/2" MIN.

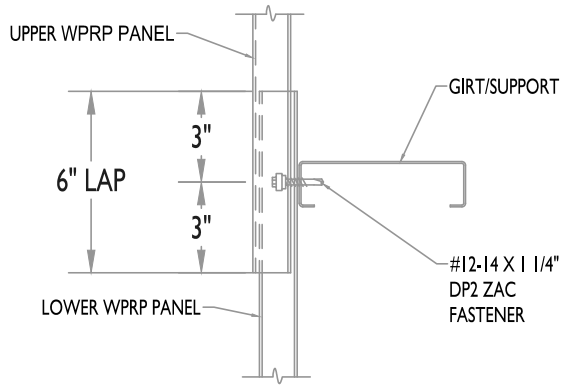


OPENING HEAD, SILL, AND JAMB

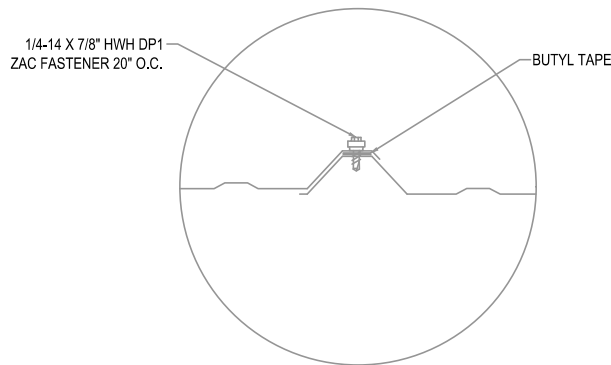
• **PROVEN** • **DEPENDABLE** • **SUSTAINABLE** •
METAL ENVELOPE SYSTEMS SINCE 1988
WWW.DMIMETALS.COM

Detail:
WPRP-H-07-00

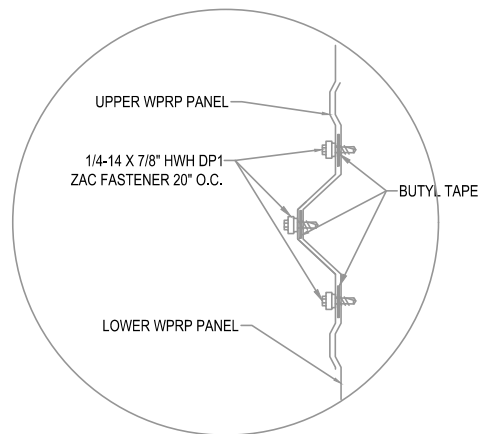
Issue/Rev Date: **01/17** Scale: **3"=1'-0"**



WALL PANEL END LAP DETAIL



WALL PANEL SIDE LAP DETAIL



WALL PANEL END LAP DETAIL



PANEL LAP

• **PROVEN** • **DEPENDABLE** • **SUSTAINABLE** •
METAL ENVELOPE SYSTEMS SINCE 1988
WWW.DMIMETALS.COM

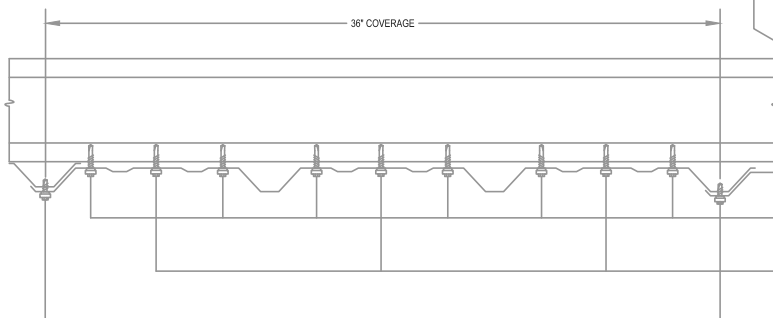
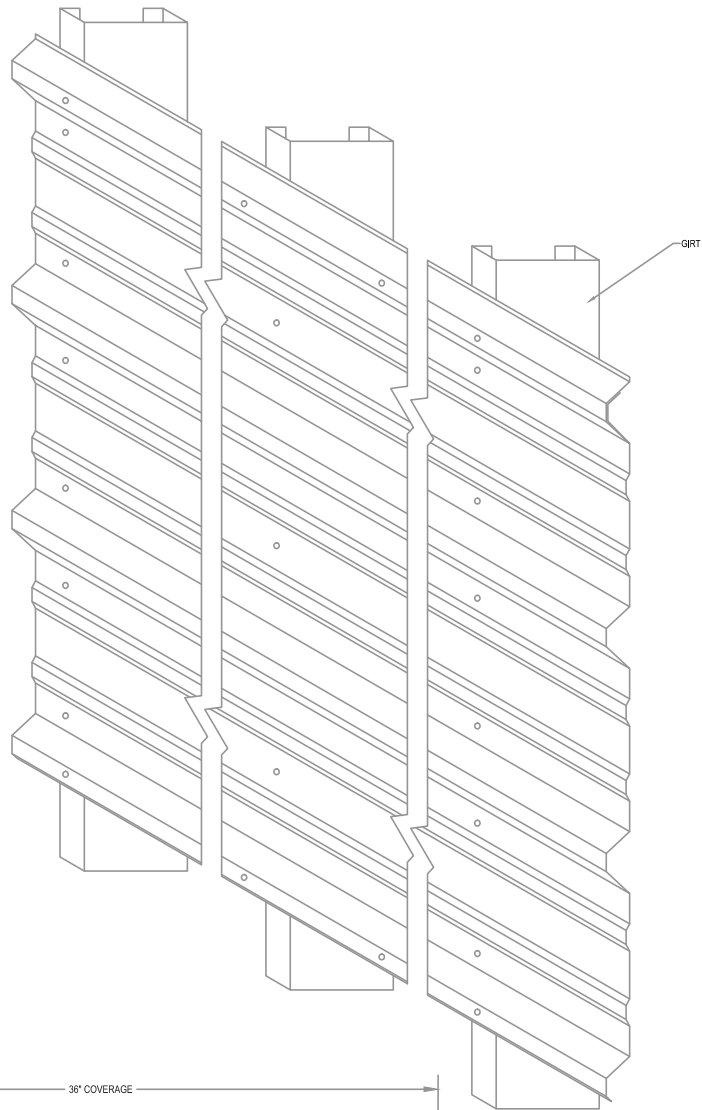
Detail:
WPRP-H-08-00

Issue/Rev Date:

01/17

Scale:

NTS



- #12-14 X 1 1/4" DP2 ZAC FASTENER AT EAVE AND RIDGE GIRTS AND END LAPS
- #12-14 X 1 1/4" DP2 ZAC FASTENER INTERMEDIATE GIRTS/HAT
- 1/4-14 X 7/8" HWH DPI ZAC FASTENER 20" O.C. AT ALL SIDE LAPS

R PANEL WALL FASTENING SCHEDULE AT BASE, INTERMEDIATE GIRTS/HAT, EAVE GIRTS/HAT AND END LAPS



FASTENING SCHEDULE

• **PROVEN** • **DEPENDABLE** • **SUSTAINABLE** •
METAL ENVELOPE SYSTEMS SINCE 1988

WWW.DMIMETALS.COM

Detail:

WPRP-H-08-01

Issue/Rev Date:

01/17

Scale:

NTS