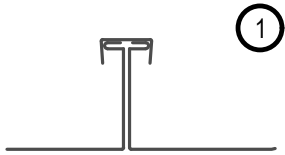


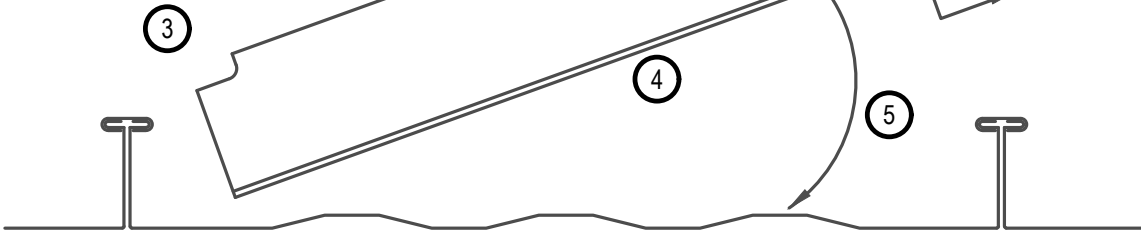
- Step 1: Install seam cap
- Step 2: Fold seam cap over panel seam
- Step 3: Notch both sides of zee closure.
- Step 4: Apply two rows of butyl tape to underside of zee.
- Step 5: Install zee closure.
- Step 6: Seal all contact points of zee and panel legs. Also seal over top of panel leg.
- Step 7: Attach top of zee to panel rib.
- Step 8: Fasten zee through panel to backer plate



1



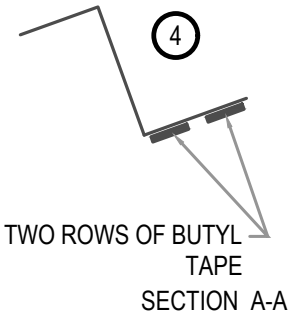
2



3

4

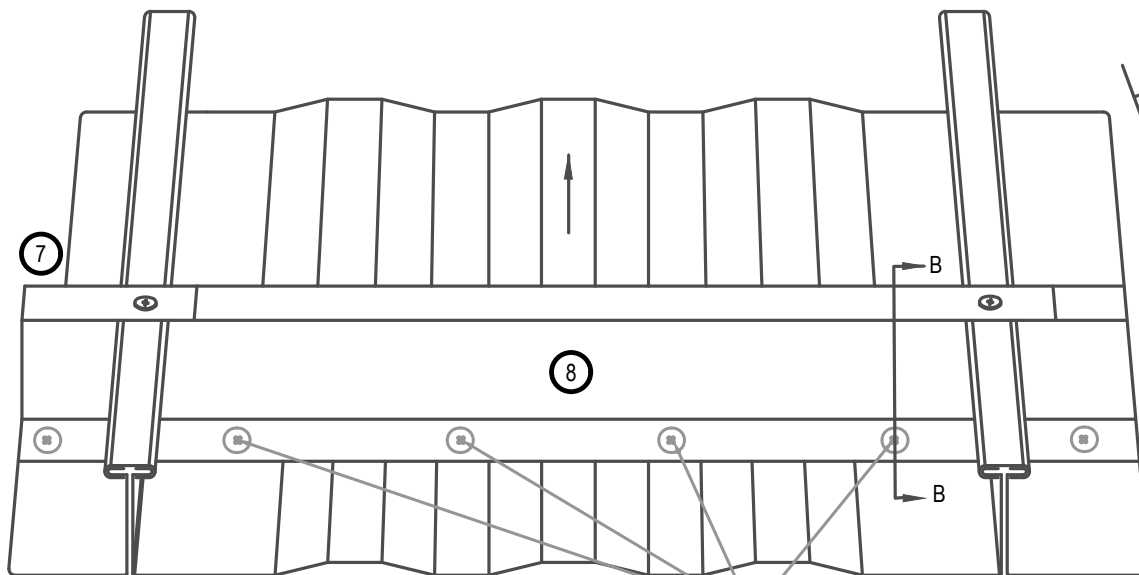
5



4

TWO ROWS OF BUTYL TAPE  
SECTION A-A

INJECT DOW CORNING 791 OR EQUAL SEALANT IN CORNERS

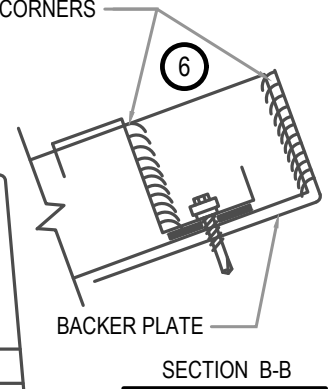


7

8

B

B



6

BACKER PLATE

SECTION B-B

NOTE: BACKER PLATE NOT SHOWN FOR CLARITY

FASTENERS PER SHOP DRAWINGS



## HYDROSTATIC Z INSTALLATION GUIDE

• **PROVEN** • **DEPENDABLE** • **SUSTAINABLE** •  
**METAL ENVELOPE SYSTEMS SINCE 1988**

WWW.DMIMETALS.COM

Detail:

TL25 11-00-WH

Issue/Rev Date:

01/17

Scale:

3"=1'-0"