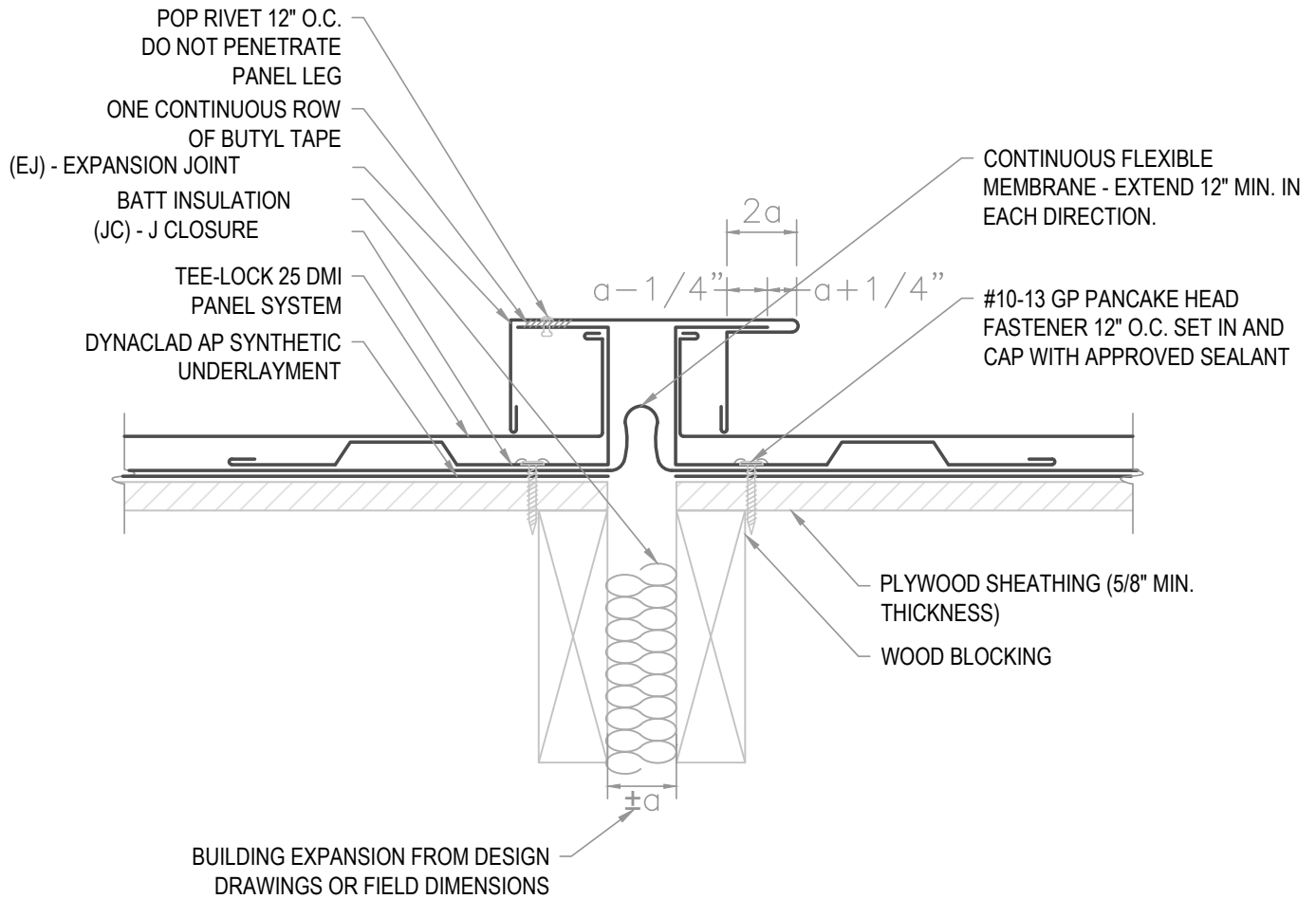


FLASHING LAP NOTE

LAP EXPANSION JOINT AND J CLOSURE 2" MINIMUM WITH 2 ROWS OF BUTYL SEALANT.



ARCHITECTURAL EXPANSION JOINT

• **PROVEN** • **DEPENDABLE** • **SUSTAINABLE** •
METAL ENVELOPE SYSTEMS SINCE 1988

WWW.DMIMETALS.COM

Detail:

TL25 08-00-W

Issue/Rev Date:

01/17

Scale:

3"=1'-0"