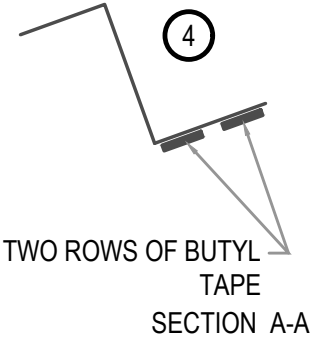
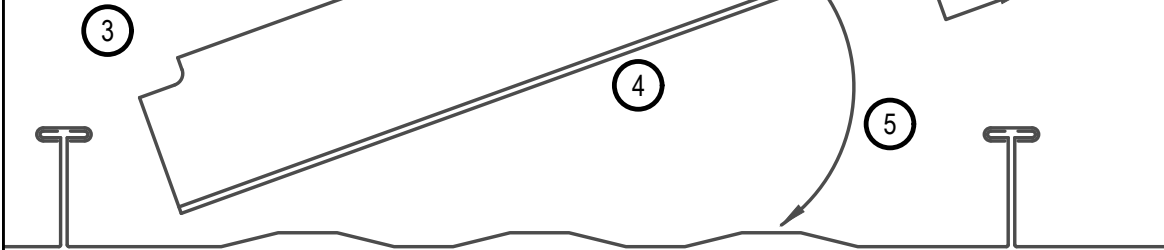
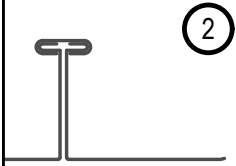
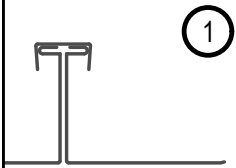
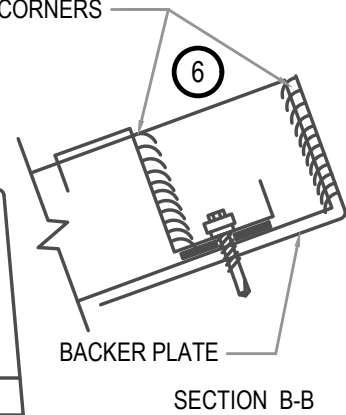
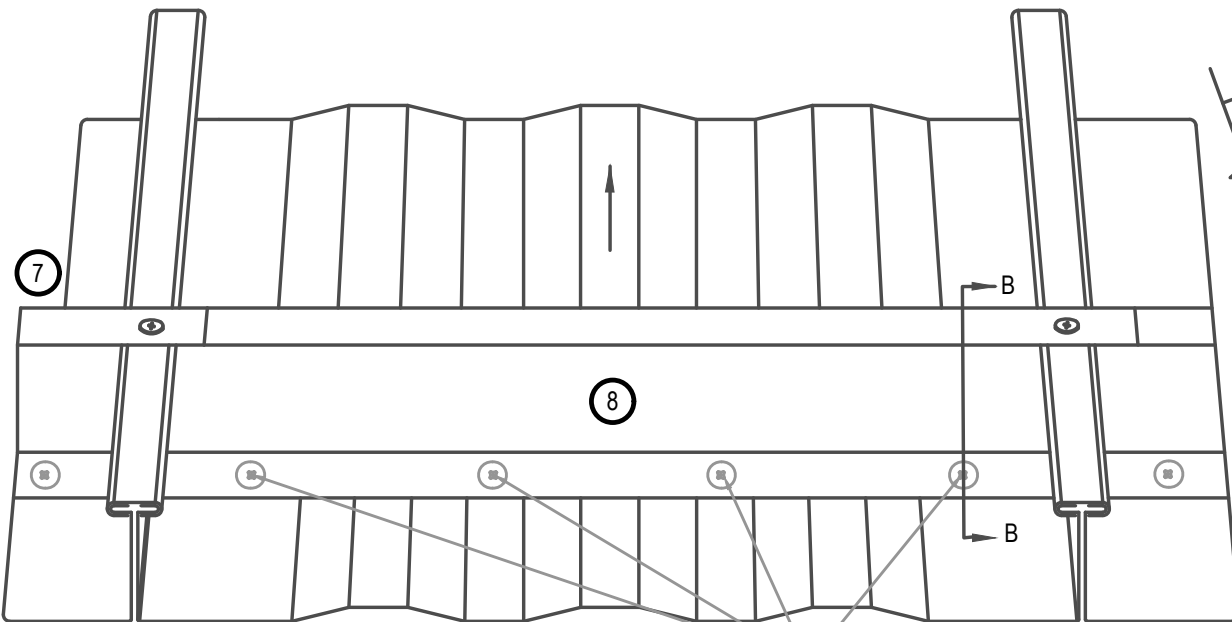


- Step 2: Fold seam cap over panel seam
- Step 3: Notch both sides of zee closure.
- Step 4: Apply two rows of butyl tape to underside of zee.
- Step 5: Install zee closure.
- Step 6: Seal all contact points of zee and panel legs. Also seal over top of panel leg.
- Step 7: Attach top of zee to panel rib.
- Step 8: Fasten zee through panel to backer plate



INJECT DOW CORNING 791 OR EQUAL SEALANT IN CORNERS



NOTE: BACKER PLATE NOT SHOWN FOR CLARITY

FASTENERS PER SHOP DRAWINGS



HYDROSTATIC Z INSTALLATION GUIDE

• **PROVEN** • **DEPENDABLE** • **SUSTAINABLE** •
METAL ENVELOPE SYSTEMS SINCE 1988

WWW.DMIMETALS.COM

Detail:
TL25 11-00-PH

Issue/Rev Date:

09/18

Scale:

3"=1'-0"