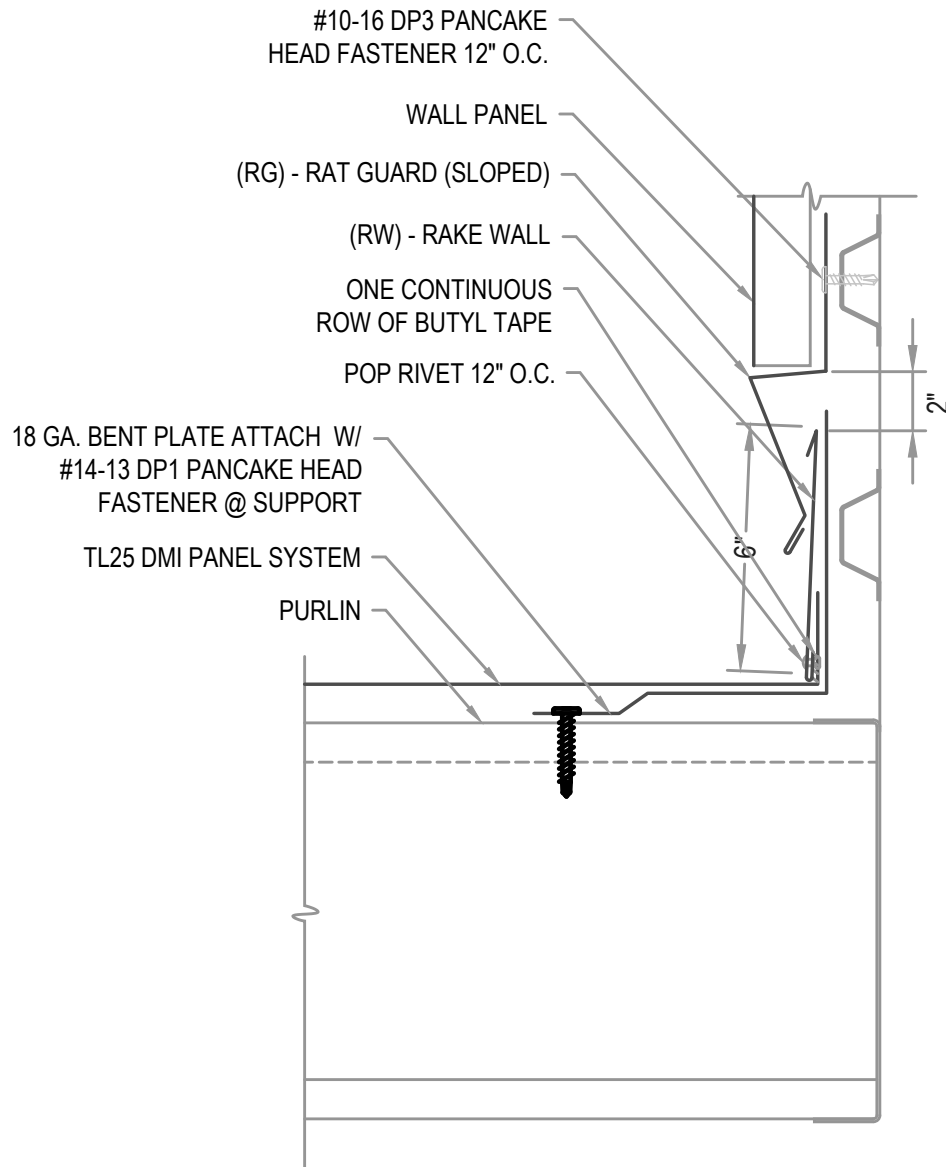


FLASHING LAP NOTE

LAP RAKE WALL AND RAT GUARD (SLOPED) 2" MINIMUM WITH 2 ROWS OF BUTYL SEALANT.



HYDROSTATIC RAKE WALL

• **PROVEN** • **DEPENDABLE** • **SUSTAINABLE** •
METAL ENVELOPE SYSTEMS SINCE 1988

WWW.DMIMETALS.COM

Detail:
TL25 05-01-PH

Issue/Rev Date:

09/18

Scale:

3"=1'-0"