

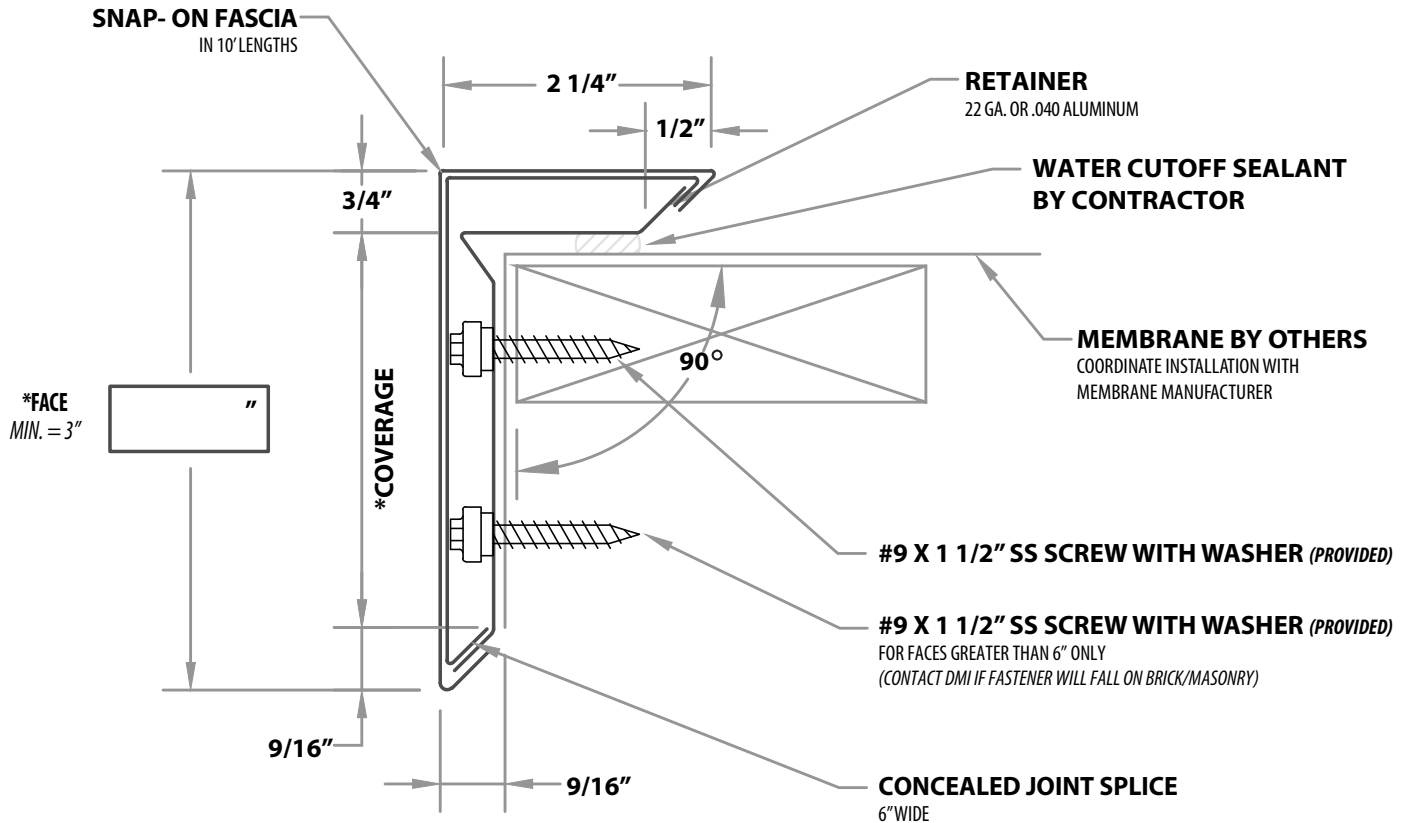


www.dmimetals.com

# DynaClad® Edge

## SNAP-ON FASCIA

ANSI/SPRI ES-1 TESTED



### NOTES

Contact DMI for verification of test report on your project.  
 Fascia Extender available upon request.  
 Coverage as noted above should extend 1" below water resistant surface.  
 Face dimension should equal coverage plus 1 5/16"

### QUANTITIES

- \_\_\_ TOTAL LNFT
- \_\_\_ OUTSIDE CORNERS
- \_\_\_ INSIDE CORNERS
- \_\_\_ SPECIAL CORNERS (ATTACH SKETCH)
- \_\_\_ END CAP - LEFT
- \_\_\_ END CAP - RIGHT
- \_\_\_ END TERM - LEFT
- \_\_\_ END TERM - RIGHT
- \_\_\_ OTHER - \_\_\_\_\_  
(ATTACH SKETCH FOR "OTHER")

### CAP MATERIAL

- .050 ALUMINUM
- .040 ALUMINUM
- .032 ALUMINUM
- 22 GA. GALVALUME
- 24 GA. GALVALUME
- OTHER - \_\_\_\_\_

### FINISH

- PREFINISHED PVDF
- MILL FINISH
- OTHER - \_\_\_\_\_

### COLOR

\_\_\_\_\_

<b>PROJECT NAME</b>		<b>P.O. NO.</b>		<b>CUSTOMER APPROVAL</b>	
<b>PROJECT LOCATION</b>				Material is to be fabricated to widest wall dimension. Responsibility of measurement accuracy and completeness is by the submitter. You are agreeing to DMI's Terms and Conditions of Sale as outlined on <a href="http://www.dmimetals.com/termsandconditions">http://www.dmimetals.com/termsandconditions</a> .	
<b>CUSTOMER</b>				<input type="radio"/> APPROVED FOR FABRICATION <input type="radio"/> APPROVED AS NOTED	
<b>ARCHITECT</b>				<b>X</b> AUTHORIZED CUSTOMER SIGNATURE _____ DATE _____	
				PRINT NAME _____ PHONE _____	