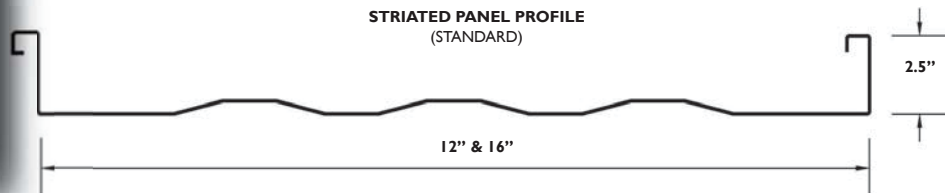


SPAN-LOCK SL25



SPAN-LOCK SL25 is a structural panel which is mechanically seamed during installation. The panel is an integral interlocking system by design which installs in one direction from a given starting point. SPAN-LOCK is a very flexible panel design which works well with a wide range of building designs. Three different clips are available: Low Floating, High Floating, and Fixed.

ROOF ASSEMBLIES

SPAN-LOCK SL25 can be applied over various roof substrates including: open framing, rigid insulation (utilizing a bearing plate under each panel clip spaced 60" o.c., max.) over 22 ga. corrugated steel deck, and various solid substrates including plywood sheathing or nail base insulation.

PRODUCT USES AND APPLICATIONS

Product uses include low to high slope roofing, vertical fascia, equipment screens, man-sards, and wall panels. This system may also be installed on tapered roof areas.

PRODUCT OFFERINGS

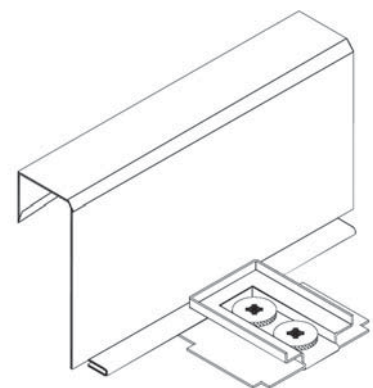
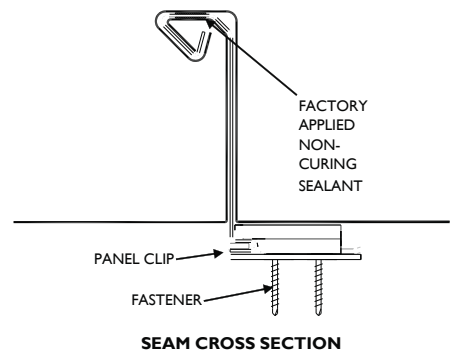
- 24 ga., 22 ga. Steel, and .032, .040 Aluminum
 Embossing and various stiffener configurations available
- SL2512 with 12" o.c. seams
 - SL2516 with 16" o.c. seams

PERFORMANCE TESTED

- UL-580 Wind Uplift
- ASTM E1592 Uniform Static Air Pressure
- ASTM E1646 Air Leakage
- ASTM E1680 Water Penetration

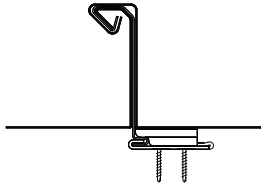
SL25 ADVANTAGES

- Factory Applied Non-Curing Sealant: for superior watertightness
- Mechanically seamed: may be installed on low slope applications down to 1/2:12 slope
- No Hand Seaming Required: built-in locking leg keeps the roof panel in place until ready to mechanical seam
- Multi-directional Mechanical Seaming: panel seaming is simplified
- Expansion Clips: allows for thermal expansion and contraction
- Lengths up to 92'-0"
- Total System Warranties Available: For total confidence



SL25 PANEL CLIP

SL25 SUBMITTAL





PROJECT NAME: _____
 ARCHITECT: _____
 INSTALLING CONTRACTOR: _____
 GENERAL CONTRACTOR: _____
 SPECIFICATION SECTION: _____


PANEL WIDTH
 12" 16"


CLIPS
 HIGH EXPANSION LOW EXPANSION FIXED

PROFILE

STRIATIONS (STANDARD) 

SMOOTH 

2 HIGH BEAD 

2 LOW BEAD 

DynaClad® Standard Colors (IN ALPHABETICAL ORDER)	STOCKED AT DMI					
	24 GAGE GALVALUME	22 GAGE GALVALUME	.032 ALUM. 3105 H14	.040 ALUM. 3105 H14	.050 ALUM. 3105 H14	.063 ALUM. 3105 H14
AGED COPPER*	●		●			
BEIGE	●		●	●	●	
BRITE RED*	●		●	●		
BROWN	●		●	●		
BURGUNDY	●		●			
CHAMPAGNE*	●		●			
CHARCOAL GREY	●		●	●		
CLASSIC BRONZE	●		●	●		
COBALT BLUE	●		●			
COLONIAL RED	●		●	●		
DARK BRONZE	●	●	●	●	●	●
DOVE GREY	●		●	●		
EVERGREEN	●		●	●		
HARTFORD GREEN	●		●			
HEMLOCK GREEN	●		●			
LEAF GREEN	●		●			
MATTE BLACK	●		●	●		
METALLIC COPPER*	●		●			
METALLIC SILVER*	●		●			
MUSKET GREY	●		●	●		
PATINA COPPER	●		●	●		
PUTTY	●	●	●		●	
ROYAL BLUE	●		●	●		
SANDSTONE	●	●	●	●	●	
SEAPORT	●		●	●		
SLATE BLUE	●		●			
SLATE GREY	●		●	●	●	
SPARTAN BRONZE	●		●	●		
STONE	●		●	●		
TERRA COTTA	●		●			
WEATHERED ZINC*	●		●			
WHITE	●	●	●	●	●	●
MILL FINISHED ALUM.			●	●	●	●
ACRYLUME®	●	●				
CLEAR ANODIZED			●	●		

SUBSTRATE

24 GA. GALVALUME
 22 GA. GALVALUME
 .032 ALUMINUM
 .040 ALUMINUM

EMBOSSED

YES
 NO

Consult DMI for minimum quantities, upcharges, set up fees and extended lead times

STANDARD FINISHES (NA ON COPPER)

DYNACLAD® PVDF: _____
 ACRYLIC COATED GALVALUME (ACRYLUME®)
 MILL FINISH ALUMINUM
 CLEAR ANODIZED ALUMINUM

PREMIUM FINISHES*

DYNACLAD® METALLIC PVDF: _____
 DYNACLAD® BRITE RED PVDF
 DYNACLAD® STANDARD COLOR PVDF W/CLEARCOAT (3-COAT): _____
 DYNACLAD® METALLIC COLOR PVDF W/CLEARCOAT (3-COAT): _____
 CUSTOM COLOR: _____

*Premium Colors subject to minimum quantities, extended lead times and upcharges. Consult DMI for details.

WARRANTY

DYNACLAD® PAINT FINISH
 GALVALUME 20 YEAR - 6 MONTH (SUBSTRATE)
 WATERTIGHTNESS

DYNACLAD® METAL ROOFING SYSTEM _____
 DYNACLAD® METAL ROOFING SYSTEM NDL _____

Non-Stock colors available subject to minimum quantities, additional lead times and upcharges.
 * Denotes Premium Color - subject to additional costs.

Dimensional Metals, Inc. has specialized in the manufacturing of Architectural Metal Panel Systems and Fabricated Architectural Sheet Metal for the construction industry since 1988. We use the most technologically advanced Fixed Base Roll-Forming Equipment to deliver complete in-house quality control over the manufacture of our products.