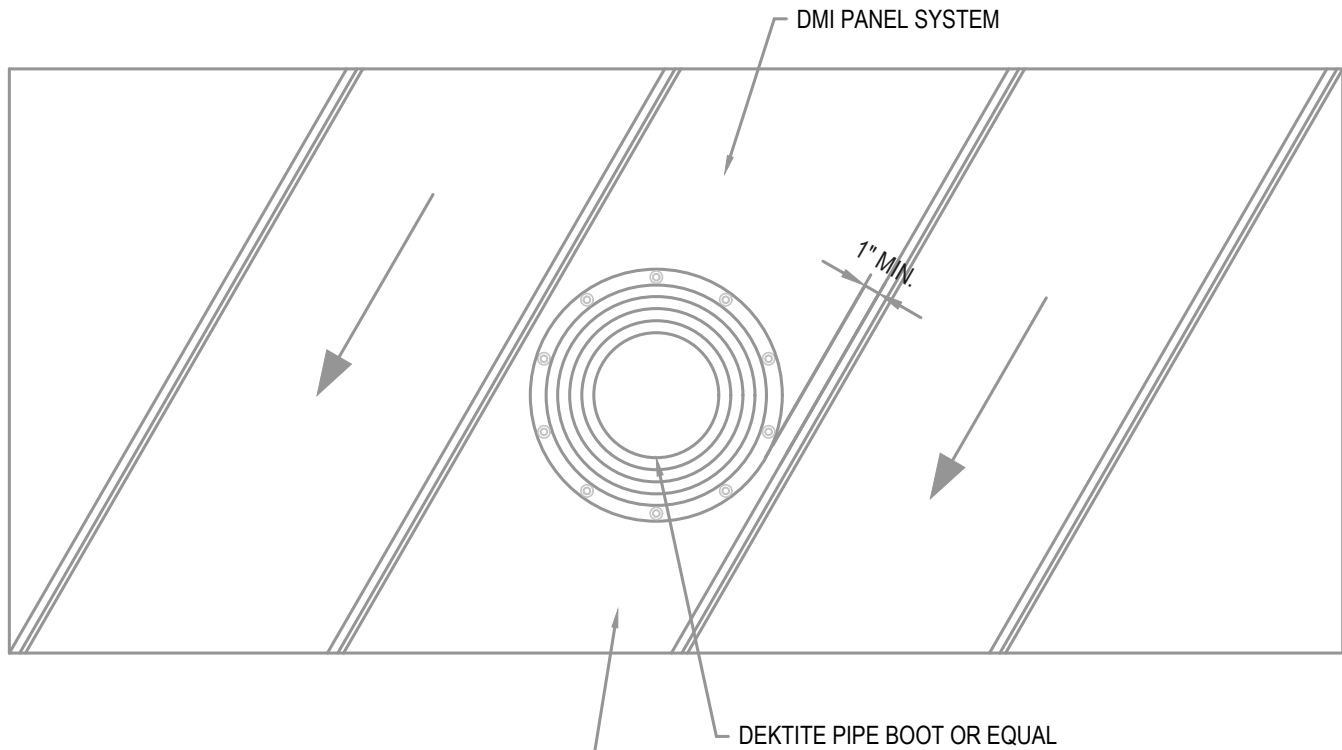
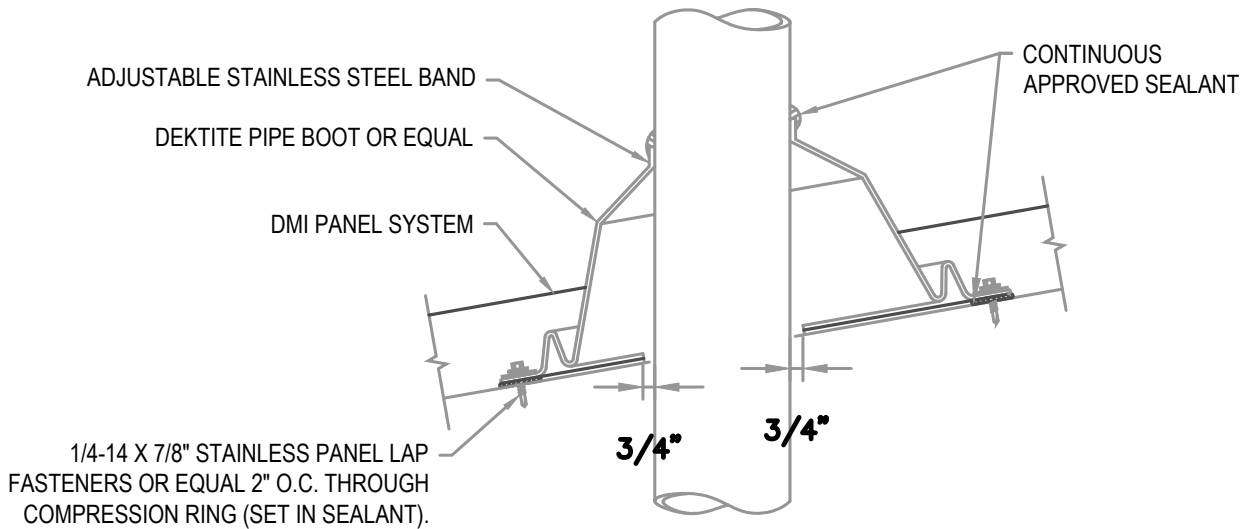


NOTE

DO NOT ATTACH INTO SOLID SUBSTRATE BELOW.
 BOOT SHALL NOT INTERSECT STANDING SEAM VERTICAL LEG. INSTALL IN FLAT AREA OF PANEL ONLY.
 IF USING A SQUARE BOOT DETAIL BE SURE TO SET BOOT IN A DIAGONAL OR DIAMOND TO ALLOW WATER FLOW.



1/4 X 1 1/8" STAINLESS TEKS FASTENERS OR
 EQUAL 2" O.C. THROUGH COMPRESSION RING



ARCHITECTURAL PIPE BOOT DETAIL

• **PROVEN** • **DEPENDABLE** • **SUSTAINABLE** •
METAL ENVELOPE SYSTEMS SINCE 1988

WWW.DMIMETALS.COM

Detail:

IL20 10-00-W

Issue/Rev Date:

01/17

Scale:

3"=1'-0"