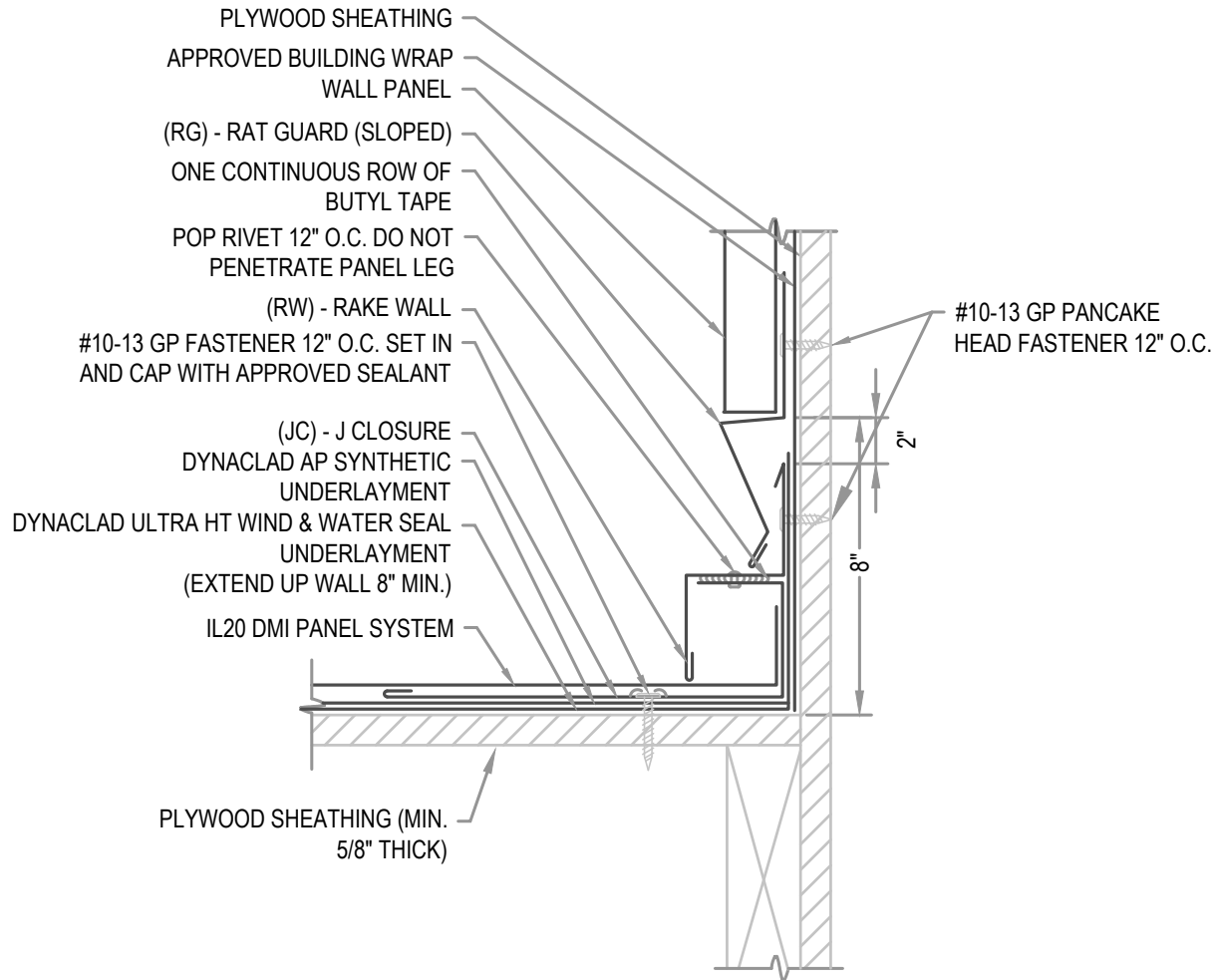


FLASHING LAP NOTE

LAP RAKE WALL AND RAT GUARD (SLOPED) 2" MINIMUM WITH 2 ROWS OF BUTYL SEALANT.



ARCHITECTURAL RAKE WALL

• PROVEN • DEPENDABLE • SUSTAINABLE •
METAL ENVELOPE SYSTEMS SINCE 1988

WWW.DMIMETALS.COM

Detail:

IL20 05-02-W

Issue/Rev Date:

01/17

Scale:

3"=1'-0"