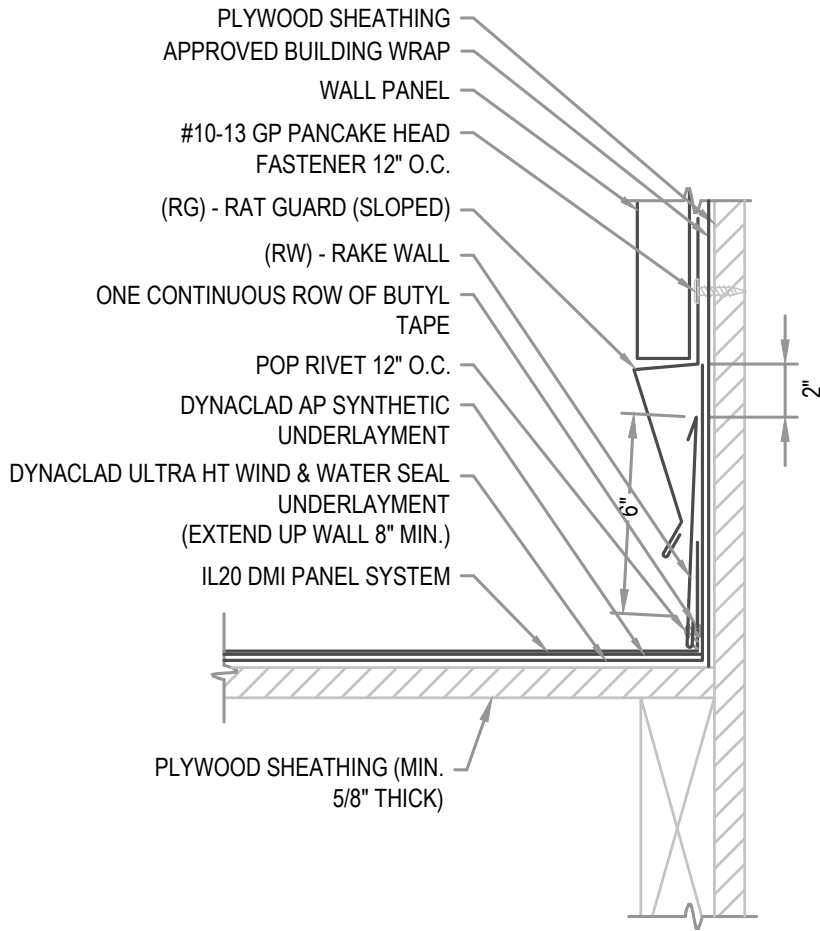


**FLASHING LAP NOTE**

LAP RAKE WALL AND RAT GUARD (SLOPED) 2" MINIMUM WITH 2 ROWS OF BUTYL SEALANT.



**ARCHITECTURAL RAKE WALL**

**• PROVEN • DEPENDABLE • SUSTAINABLE •**  
**METAL ENVELOPE SYSTEMS SINCE 1988**

[WWW.DMIMETALS.COM](http://WWW.DMIMETALS.COM)

Detail:

**IL20 05-01-W**

Issue/Rev Date:

**01/17**

Scale:

**3"=1'-0"**