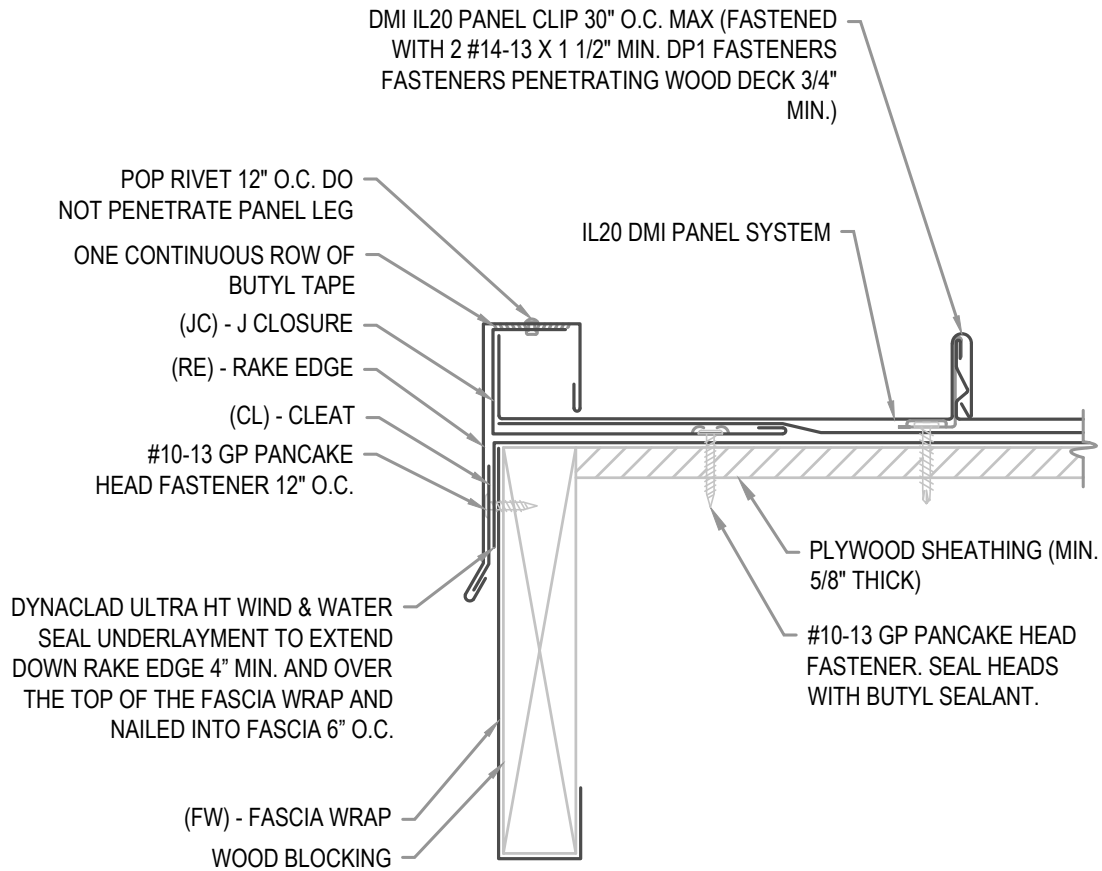


FLASHING LAP NOTE

LAP RAKE EDGE AND FASCIA 2" MINIMUM WITH 2 ROWS OF BUTYL SEALANT.



ARCHITECTURAL RAKE EDGE

• PROVEN • DEPENDABLE • SUSTAINABLE •
METAL ENVELOPE SYSTEMS SINCE 1988

WWW.DMIMETALS.COM

Detail:

IL20 04-01-W

Issue/Rev Date:

01/17

Scale:

3"=1'-0"