

PANEL EXPANSION NOTE

FOR STEEL PANELS < 40' WITH A 1 1/2" TURN DOWN AND 1 1/2" HEM CLEARANCE:

1. 1/4" FOR INSTALLATION TEMPERATURE BELOW 30 DEGREES FARENHEIT
2. 1/2" FOR INSTALLATION TEMPERATURE ABOVE 30 DEGREES FARENHEIT..

FOR STEEL PANELS > 40' WITH A 2" TURN DOWN AND 2" HEM CLEARANCE:

1. 1/4" FOR INSTALLATION TEMPERATURE BELOW 30 DEGREES FARENHEIT.
2. 1/2" FOR INSTALLATION TEMPERATURE ABOVE 30 DEGREES FARENHEIT.

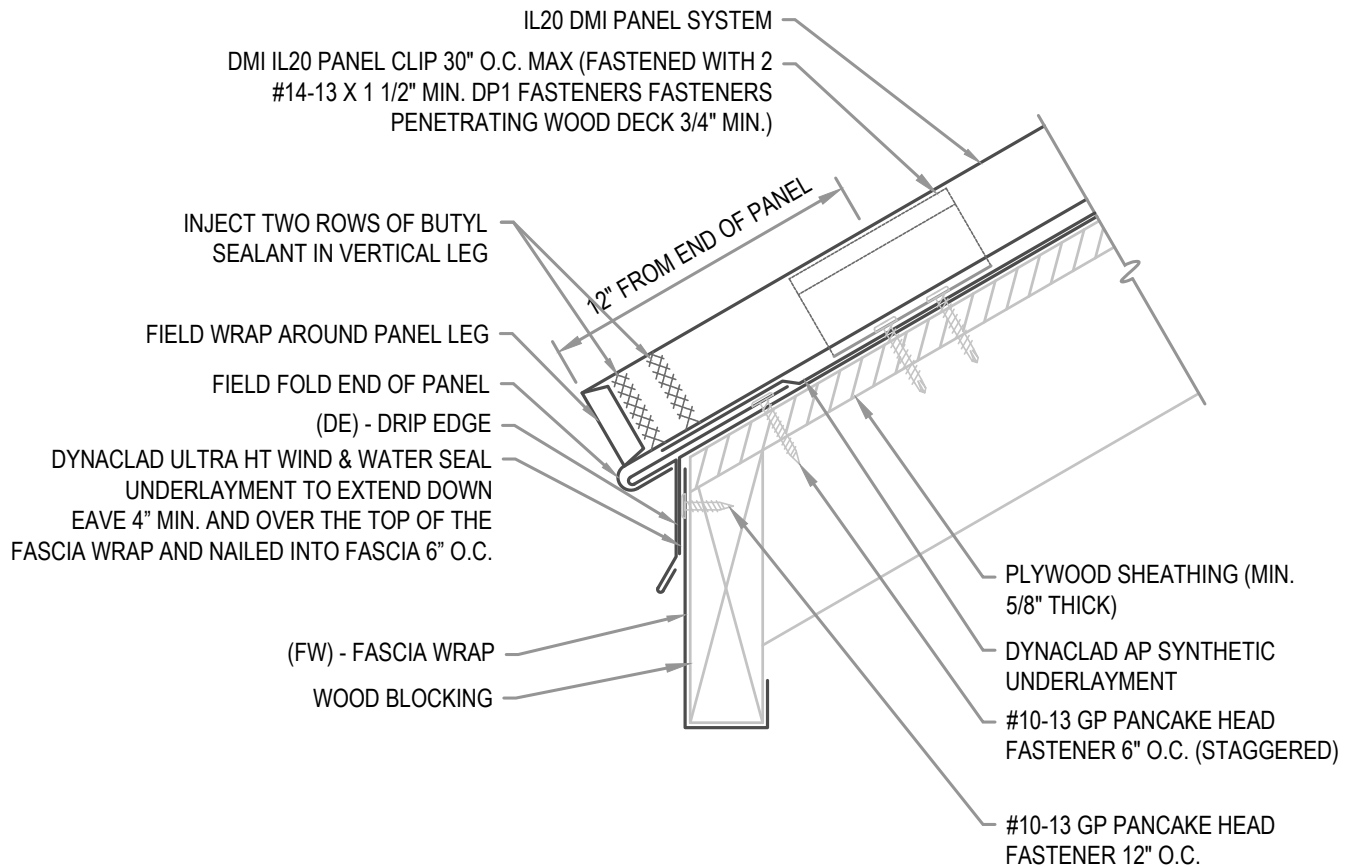
FOR ALUMINUM PANELS - CONTACT DMI

FLASHING LAP NOTE

LAP FLASHINGS 2" MIN W/ 1 ROW OF BUTYL SEALANT.

FULL ICE AND WATER UNDERLAYMENT NOTE

FOR PANEL AREAS WITH FULL ICE AND WATER UNDERLAYMENT: STRIP IN DRIP EDGE WITH 6" STRIP OF APPROVED ICE AND WATER UNDERLAYMENT.



ARCHITECTURAL EAVE W/ FASCIA WRAP

• PROVEN • DEPENDABLE • SUSTAINABLE •
METAL ENVELOPE SYSTEMS SINCE 1988

WWW.DMIMETALS.COM

Detail:

IL20 01-01-W

Issue/Rev Date:

01/17

Scale:

3"=1'-0"