

INTER-LOCK IL20 is a structural panel which is snapped together during installation. The panel is an integral interlocking system by design which installs in one direction from a given starting point. A double male* starter panel is available (for a minimal setup fee) and may be installed in the middle of a roof area to achieve a symmetrical layout. INTER-LOCK is a very flexible panel design which works well with a wide range of building designs.

ROOF ASSEMBLIES

INTER-LOCK IL20 can be applied over various roof assemblies including: rigid insulation (utilizing a bearing plate under each panel clip spaced 48" o.c., max.) over 22 ga. corrugated steel deck, and various solid substrates including plywood sheathing, nail base insulation, or steel deck.

PRODUCT USES AND APPLICATIONS

Product uses include roofs with slopes as low as 3:12, vertical fascia, equipment screens, mansards, and wall panels. This system may also be installed on tapered roof areas.

PRODUCT OFFERINGS

24 ga., 22 ga. Steel, and .032, .040 Aluminum

• IL2012 with 12" o.c. seams

• IL2016 with 16" o.c. seams

• IL2018 with 18" o.c. seams

16, 20 oz. Copper

• IL2012 with 12" o.c. seams

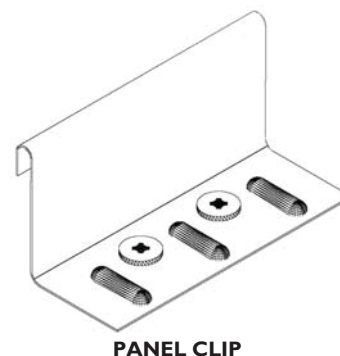
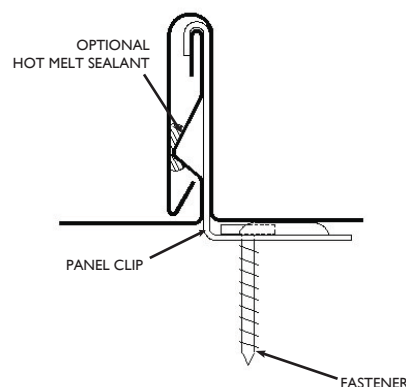
• IL2018 with 18" o.c. seams

PERFORMANCE TESTED

- UL-580 Wind Uplift
- ASTM E1592 Uniform Static Air Pressure
- ASTM E1646 Air Leakage
- ASTM E1680 Water Penetration

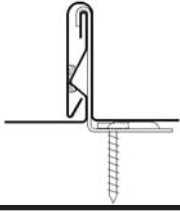
INTER-LOCK ADVANTAGES

- Optional Factory Applied Non-Curing Sealant: for superior watertightness
- Engineered Snap-Together Design for easy installation
- Symmetrical Visual Aesthetics: providing a non-directional appearance
- Clip allows for unlimited thermal expansion and contraction
- Continuous Interlocking Seam: no seam disengagement
- Anti-Siphoning Seam Design: prevents water infiltration
- Continuous Rollformed Lengths: eliminates need for panel lap joints.
- Total System Warranties Available: For total confidence



*Note: Metallic paint finishes are "directional" and are not recommended for "double male" panels.

IL20 SUBMITTAL



PROJECT NAME: _____
ARCHITECT: _____
INSTALLING CONTRACTOR: _____
GENERAL CONTRACTOR: _____
SPECIFICATION SECTION: _____

PANEL WIDTH <input type="radio"/> 12" <input type="radio"/> 16" <input type="radio"/> 18"	CLIPS <input type="radio"/> EXPANSION
-----------------------------------------------------------------------------------------------------	-------------------------------------------------

PROFILE

STRIATIONS (STANDARD)

SMOOTH

2 HIGH BEAD

2 LOW BEAD

DynaClad® Standard Colors (IN ALPHABETICAL ORDER)	STOCKED AT DMI					
	24 GAGE GALVALUME	22 GAGE GALVALUME	.032 ALUM. 3105 H14	.040 ALUM. 3105 H14	.050 ALUM. 3105 H14	.063 ALUM. 3105 H14
AGED COPPER*	●		●			
BEIGE	●		●	●	●	
BRITE RED*	●		●	●		
BROWN	●		●	●		
BURGUNDY	●		●			
CHAMPAGNE*	●		●			
CHARCOAL GREY	●		●	●		
CLASSIC BRONZE	●		●	●		
COBALT BLUE	●		●			
COLONIAL RED	●		●	●		
DARK BRONZE	●	●	●	●	●	●
DOVE GREY	●		●	●		
EVERGREEN	●		●	●		
HARTFORD GREEN	●		●			
HEMLOCK GREEN	●		●			
LEAF GREEN	●		●			
MATTE BLACK	●		●	●		
METALLIC COPPER*	●		●			
METALLIC SILVER*	●		●			
MUSKET GREY	●		●	●		
PATINA COPPER	●		●	●		
PUTTY	●	●	●		●	
ROYAL BLUE	●		●	●		
SANDSTONE	●	●	●	●	●	
SEAPORT	●		●	●		
SLATE BLUE	●		●			
SLATE GREY	●		●	●	●	
SPARTAN BRONZE	●		●	●		
STONE	●		●	●		
TERRA COTTA	●		●			
WEATHERED ZINC*	●		●	●		
WHITE	●	●	●	●	●	●
MILL FINISHED ALUM.			●	●	●	●
ACRYLUME®	●	●				
CLEAR ANODIZED			●	●		

SUBSTRATE

24 GA. GALVALUME 16 OZ. COPPER
 22 GA. GALVALUME 20 OZ. COPPER
 .032 ALUMINUM
 .040 ALUMINUM

EMBOSSED

YES
 NO

Consult DMI for minimum quantities, upcharges, set up fees and extended lead times

STANDARD FINISHES (NA ON COPPER)

DYNACLAD® PVDF: _____
 ACRYLIC COATED GALVALUME (ACRYLUME®)
 MILL FINISH ALUMINUM
 CLEAR ANODIZED ALUMINUM

PREMIUM FINISHES*

DYNACLAD® METALLIC PVDF: _____
 DYNACLAD® BRITE RED PVDF
 DYNACLAD® STANDARD COLOR PVDF W/CLEARCOAT (3-COAT): _____
 DYNACLAD® METALLIC COLOR PVDF W/CLEARCOAT (3-COAT): _____
 CUSTOM COLOR: _____

**Premium Colors subject to minimum quantities, extended lead times and upcharges. Consult DMI for details.*

WARRANTY

DYNACLAD® PAINT FINISH
 GALVALUME 20 YEAR - 6 MONTH (SUBSTRATE)
 WATERTIGHTNESS

DYNACLAD® METAL ROOFING SYSTEM _____
 DYNACLAD® METAL ROOFING SYSTEM NDL _____

Non-Stock colors available subject to minimum quantities, additional lead times and upcharges.
 * Denotes Premium Color - subject to additional costs.

Dimensional Metals, Inc. has specialized in the manufacturing of Architectural Metal Panel Systems and Fabricated Architectural Sheet Metal for the construction industry since 1988. We use the most technologically advanced Fixed Base Roll-Forming Equipment to deliver complete in-house quality control over the manufacture of our products.