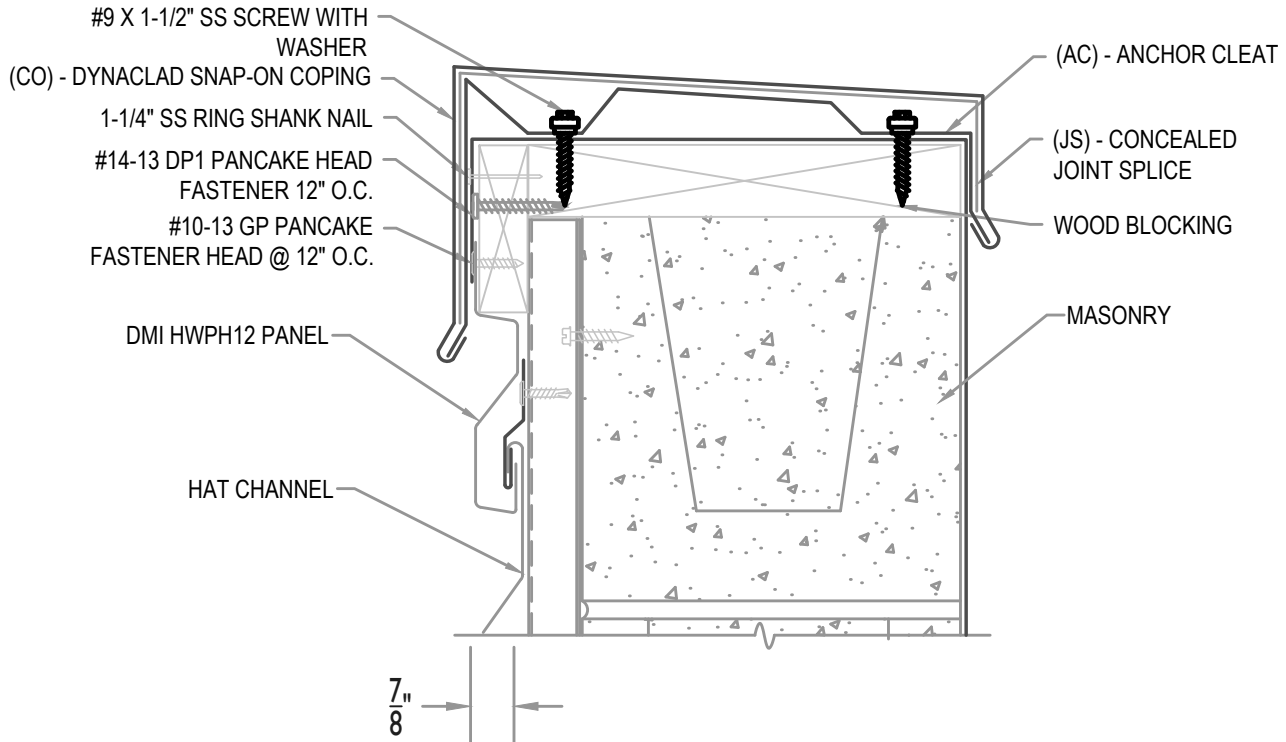


SEE DMI DYNACLAD EDGE INSTALLATION  
GUIDE FOR COMPLETE FASTENING AND  
INSTALLATION INFORMATION FOR ES-1  
RATED SNAP-ON COPING



### COPING WITH HAT CHANNEL

• **PROVEN** • **DEPENDABLE** • **SUSTAINABLE** •

**METAL ENVELOPE SYSTEMS SINCE 1988**

WWW.DMIMETALS.COM

Detail:

**HWP12-H-04-01**

Issue/Rev Date:

**04/19**

Scale:

**3"=1'-0"**