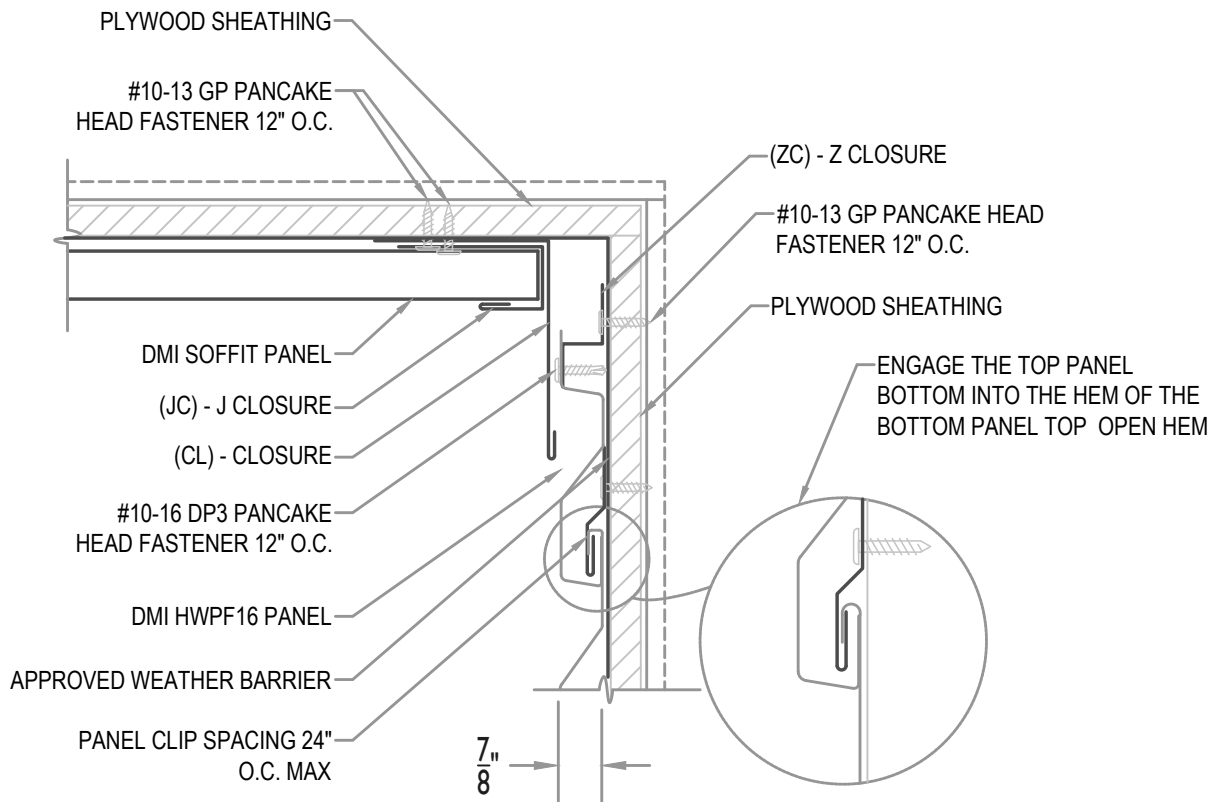


MAXIMUM PANEL ATTACHMENT FASTENER SPACING IS 24" O.C. ALL FASTENERS TO PENETRATE WOOD 3/4" MIN. AND METAL FRAMING 1/2" MIN.



SOFFIT TO WALL PANEL

• **PROVEN** • **DEPENDABLE** • **SUSTAINABLE** •

METAL ENVELOPE SYSTEMS SINCE 1988

WWW.DMIMETALS.COM

Detail:

HWPF16-H-01-00

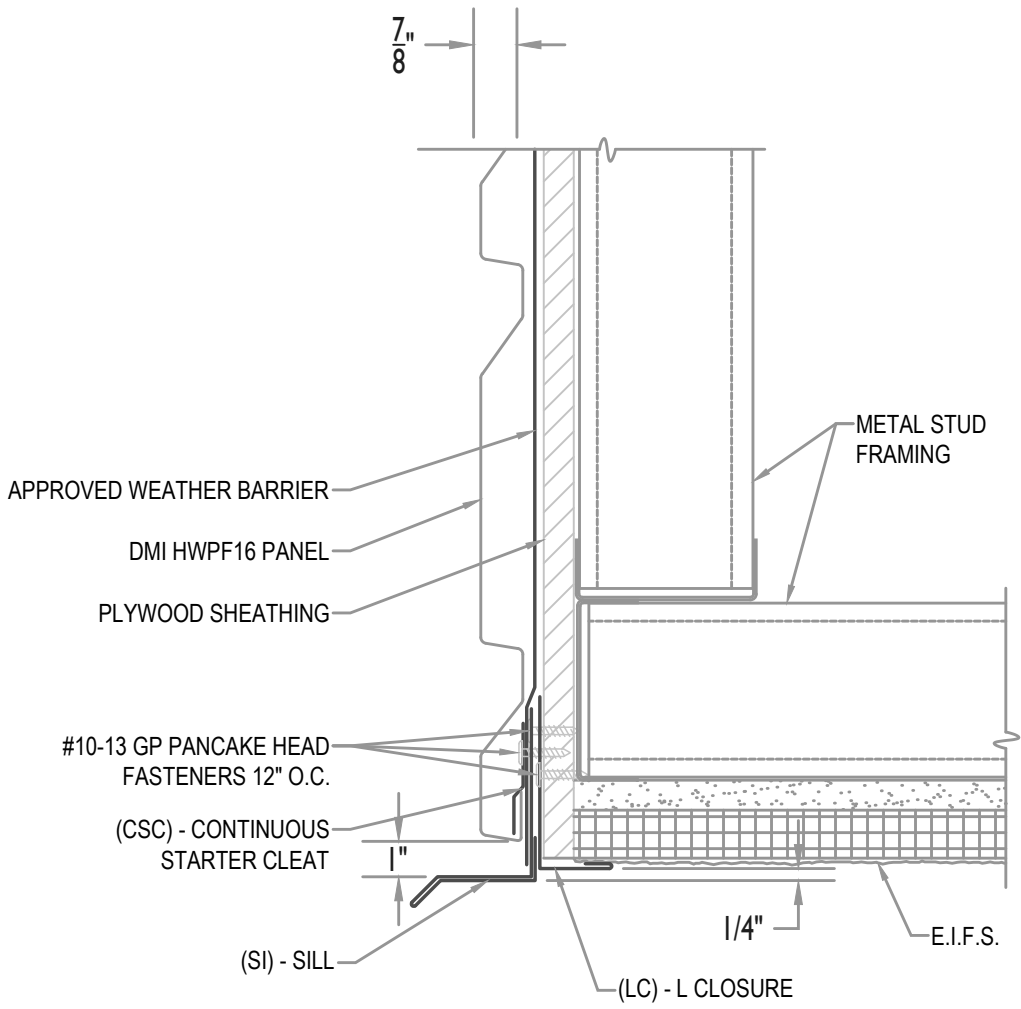
Issue/Rev Date:

04/19

Scale:

3"=1'-0"

MAXIMUM PANEL ATTACHMENT FASTENER SPACING IS 24" O.C. ALL FASTENERS TO PENETRATE WOOD 3/4" MIN. AND METAL FRAMING 1/2" MIN.



WALL PANEL W/ EIFS SOFFIT

• **PROVEN** • **DEPENDABLE** • **SUSTAINABLE** •

METAL ENVELOPE SYSTEMS SINCE 1988

WWW.DMIMETALS.COM

Detail:
HWPf16-H-02-00

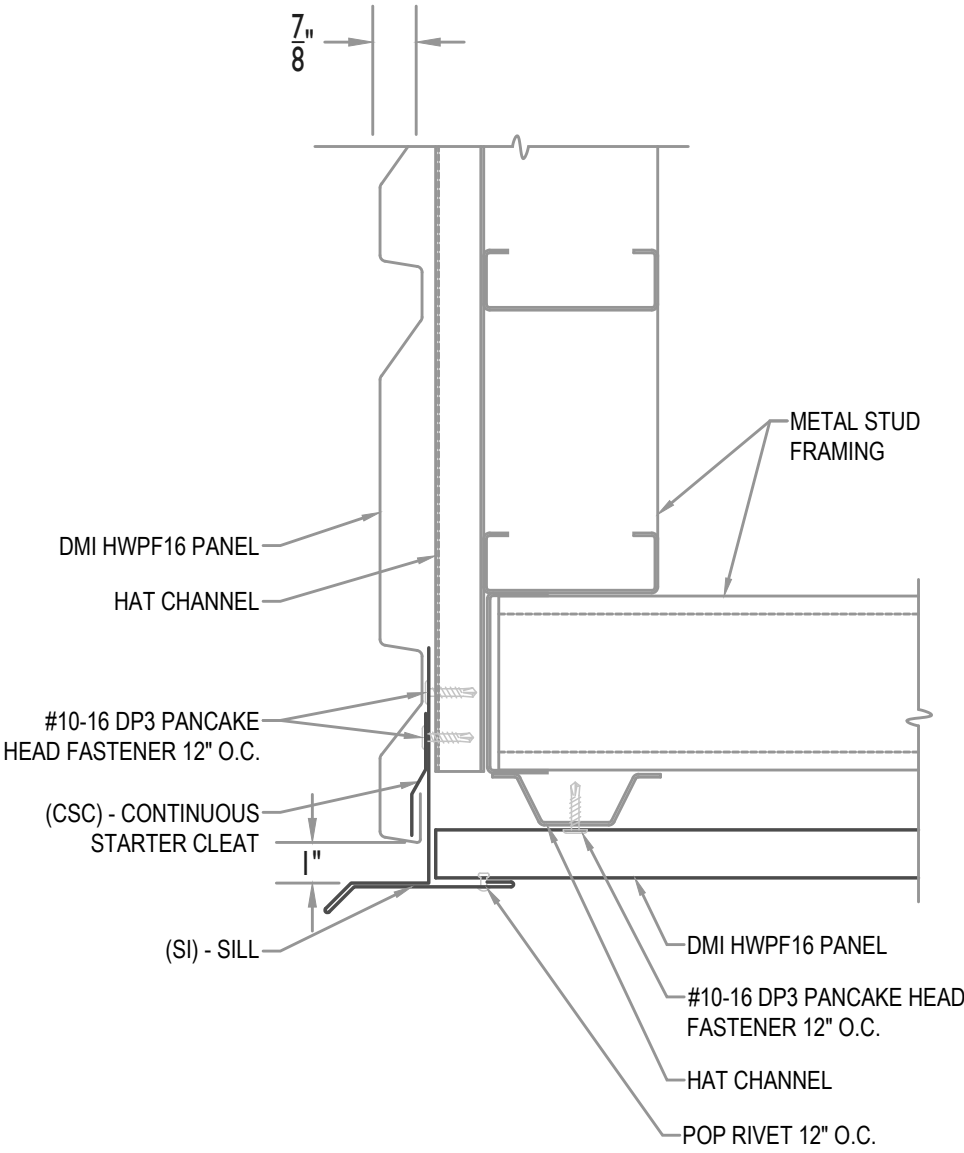
Issue/Rev Date:

04/19

Scale:

3"=1'-0"

MAXIMUM PANEL ATTACHMENT FASTENER SPACING IS 24" O.C. ALL FASTENERS TO PENETRATE WOOD 3/4" MIN. AND METAL FRAMING 1/2" MIN.

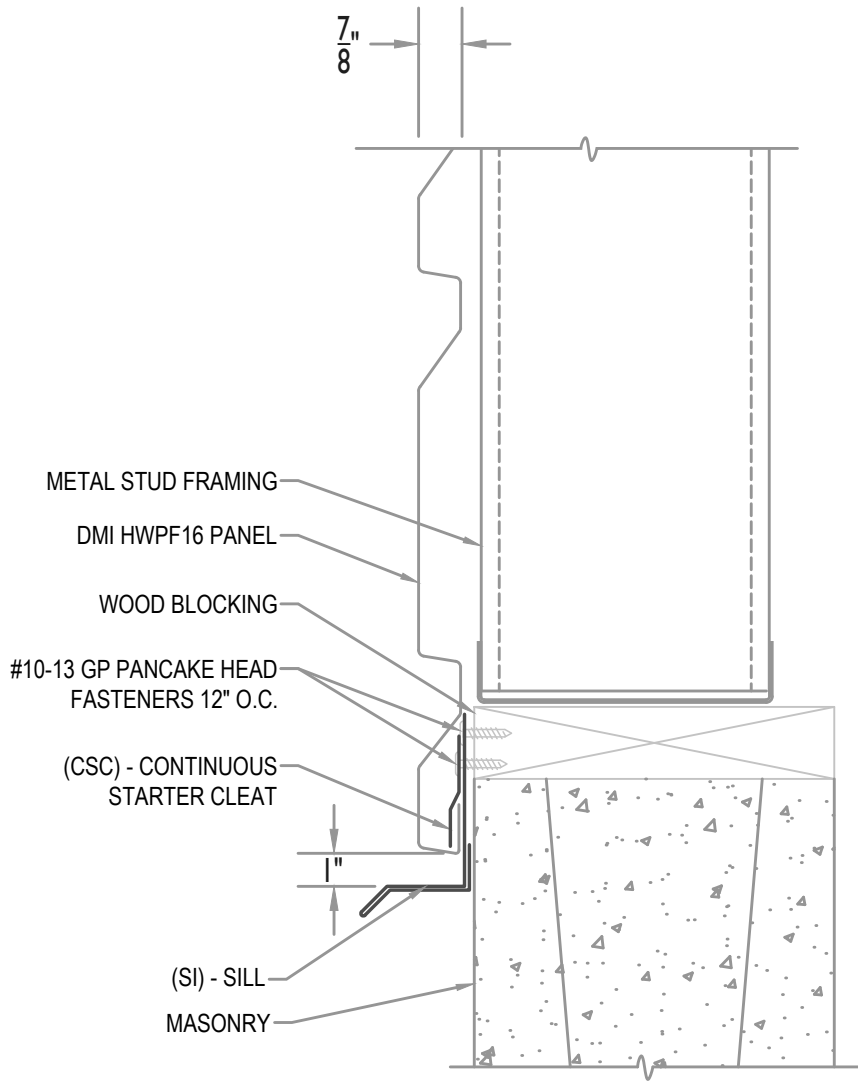


WALL PANEL W/ (PANEL SOFFIT)

• **PROVEN** • **DEPENDABLE** • **SUSTAINABLE** •
METAL ENVELOPE SYSTEMS SINCE 1988
WWW.DMIMETALS.COM

Detail:
HWPF16-H-02-01
 Issue/Rev Date: **04/19** Scale: **3"=1'-0"**

MAXIMUM PANEL ATTACHMENT FASTENER SPACING IS 24" O.C. ALL FASTENERS TO PENETRATE WOOD 3/4" MIN. AND METAL FRAMING 1/2" MIN.



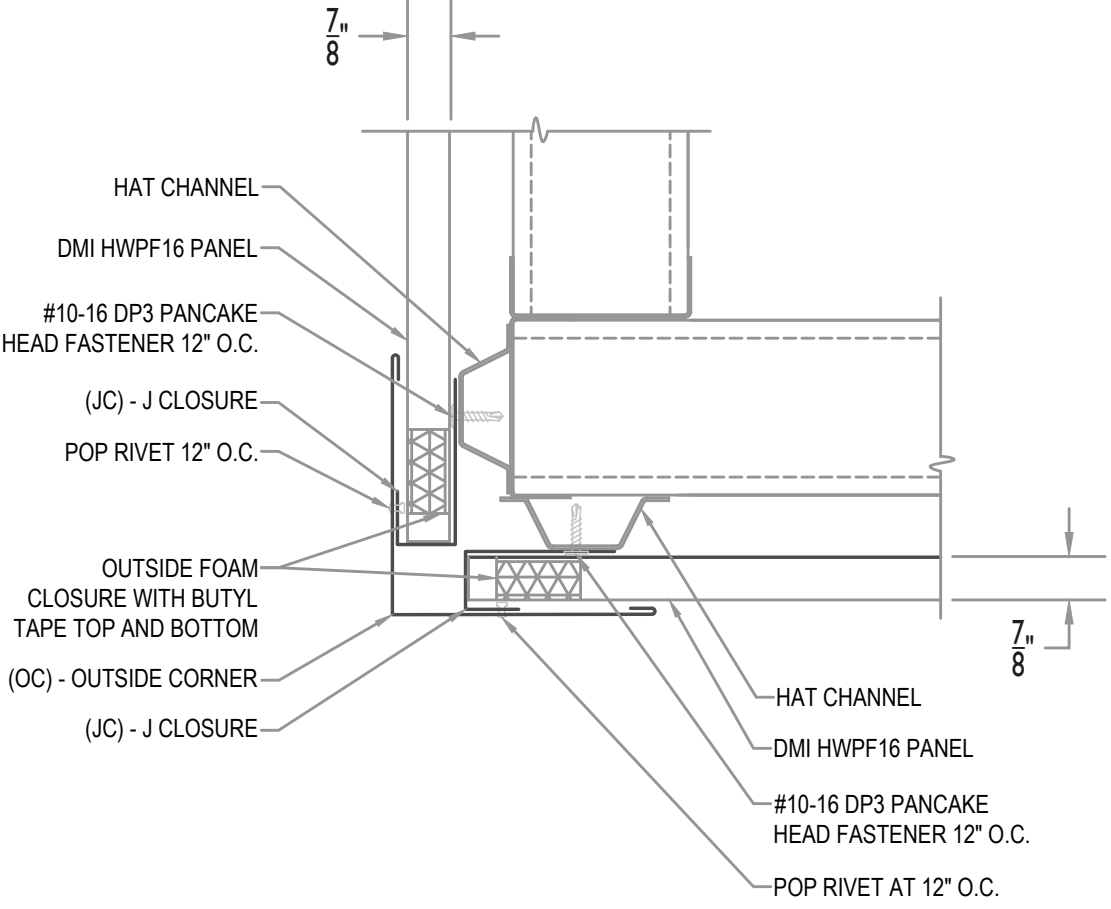
WALL PANEL W/ SILL (AT BLOCK)

• **PROVEN** • **DEPENDABLE** • **SUSTAINABLE** •
METAL ENVELOPE SYSTEMS SINCE 1988
WWW.DMIMETALS.COM

Detail:
HWPF16-H-02-02

Issue/Rev Date: **04/19** Scale: **3"=1'-0"**

MAXIMUM PANEL ATTACHMENT FASTENER SPACING IS 24" O.C. ALL FASTENERS TO PENETRATE WOOD 3/4" MIN. AND METAL FRAMING 1/2" MIN.



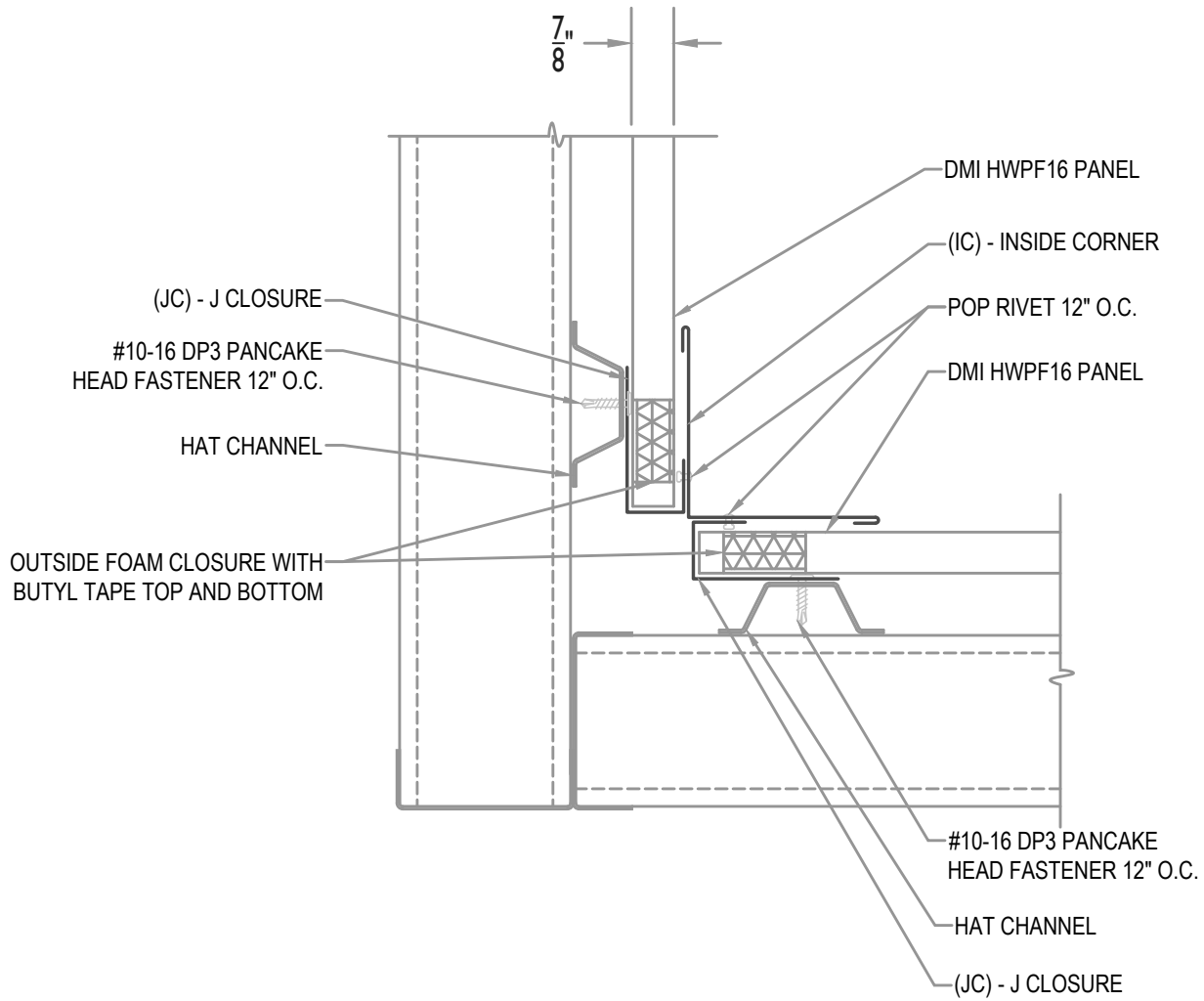
OUTSIDE CORNER

• **PROVEN** • **DEPENDABLE** • **SUSTAINABLE** •
METAL ENVELOPE SYSTEMS SINCE 1988
WWW.DMIMETALS.COM

Detail:
HWPF16-H-03-00

Issue/Rev Date: **04/19** Scale: **3"=1'-0"**

MAXIMUM PANEL ATTACHMENT FASTENER SPACING IS 24" O.C. ALL FASTENERS TO PENETRATE WOOD 3/4" MIN. AND METAL FRAMING 1/2" MIN.



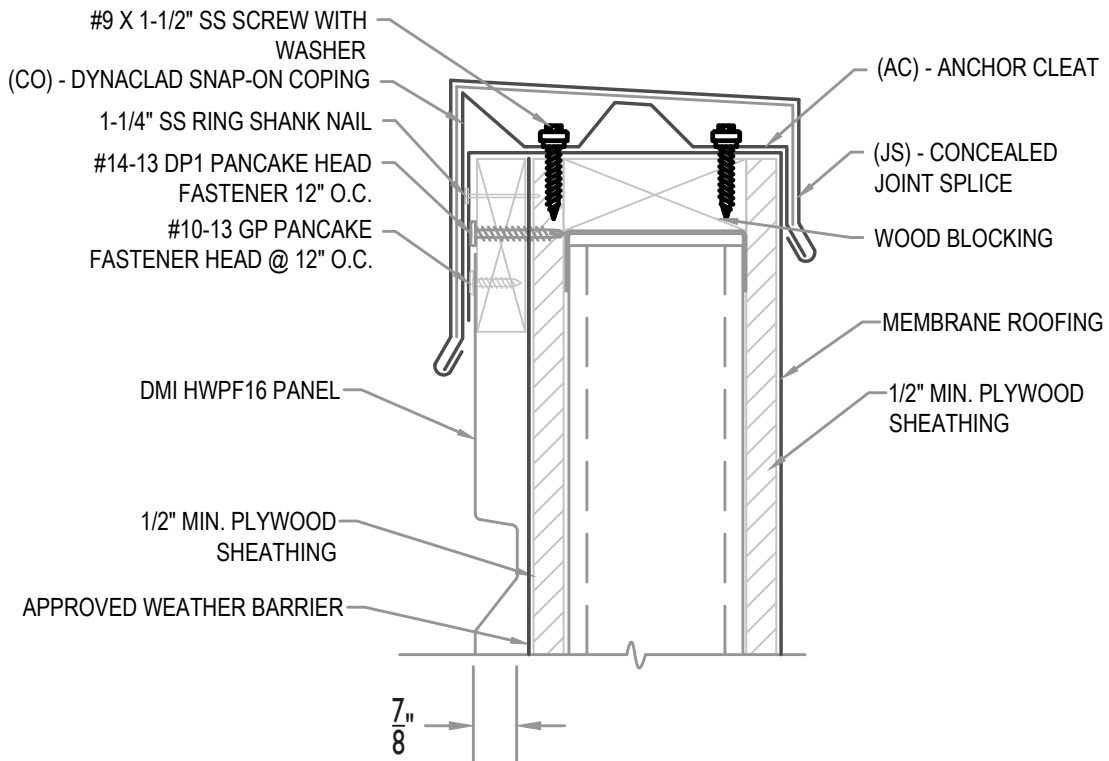
INSIDE CORNER

• **PROVEN** • **DEPENDABLE** • **SUSTAINABLE** •
METAL ENVELOPE SYSTEMS SINCE 1988
WWW.DMIMETALS.COM

Detail:
HWPF16-H-03-01

Issue/Rev Date:	Scale:
04/19	3"=1'-0"

SEE DMI DYNACLAD EDGE INSTALLATION
GUIDE FOR COMPLETE FASTENING AND
INSTALLATION INFORMATION FOR ES-1
RATED SNAP-ON COPING



MAXIMUM PANEL ATTACHMENT FASTENER
SPACING IS 24" O.C. ALL FASTENERS TO
PENETRATE WOOD 3/4" MIN. AND METAL
FRAMING 1/2" MIN.



COPING WITH WOOD SUBSTRATE

• **PROVEN** • **DEPENDABLE** • **SUSTAINABLE** •

METAL ENVELOPE SYSTEMS SINCE 1988

WWW.DMIMETALS.COM

Detail:

HWPF16-H-04-00

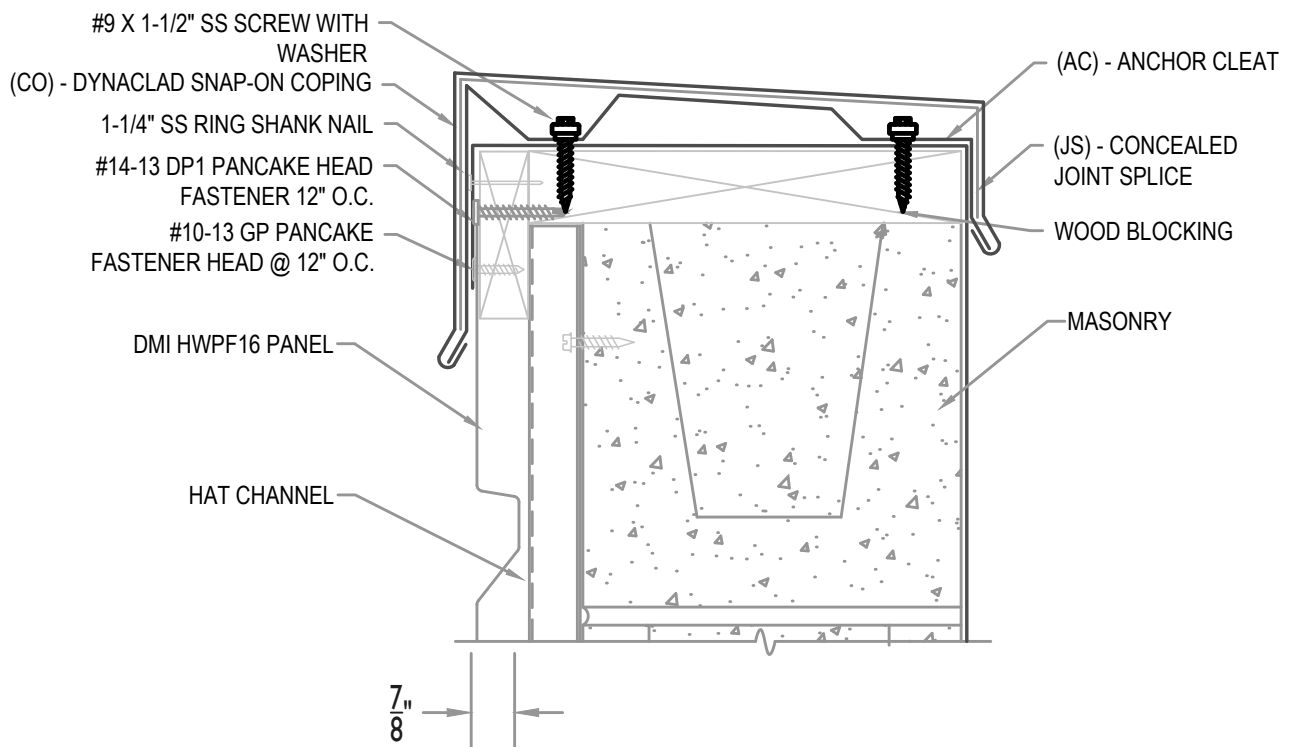
Issue/Rev Date:

04/19

Scale:

3"=1'-0"

SEE DMI DYNACLAD EDGE INSTALLATION GUIDE FOR COMPLETE FASTENING AND INSTALLATION INFORMATION FOR ES-1 RATED SNAP-ON COPING



MAXIMUM PANEL ATTACHMENT FASTENER SPACING IS 24" O.C. ALL FASTENERS TO PENETRATE WOOD 3/4" MIN. AND METAL FRAMING 1/2" MIN.



COPING WITH HAT CHANNEL

• PROVEN • DEPENDABLE • SUSTAINABLE •

METAL ENVELOPE SYSTEMS SINCE 1988

WWW.DMIMETALS.COM

Detail:

HWPF16-H-04-01

Issue/Rev Date:

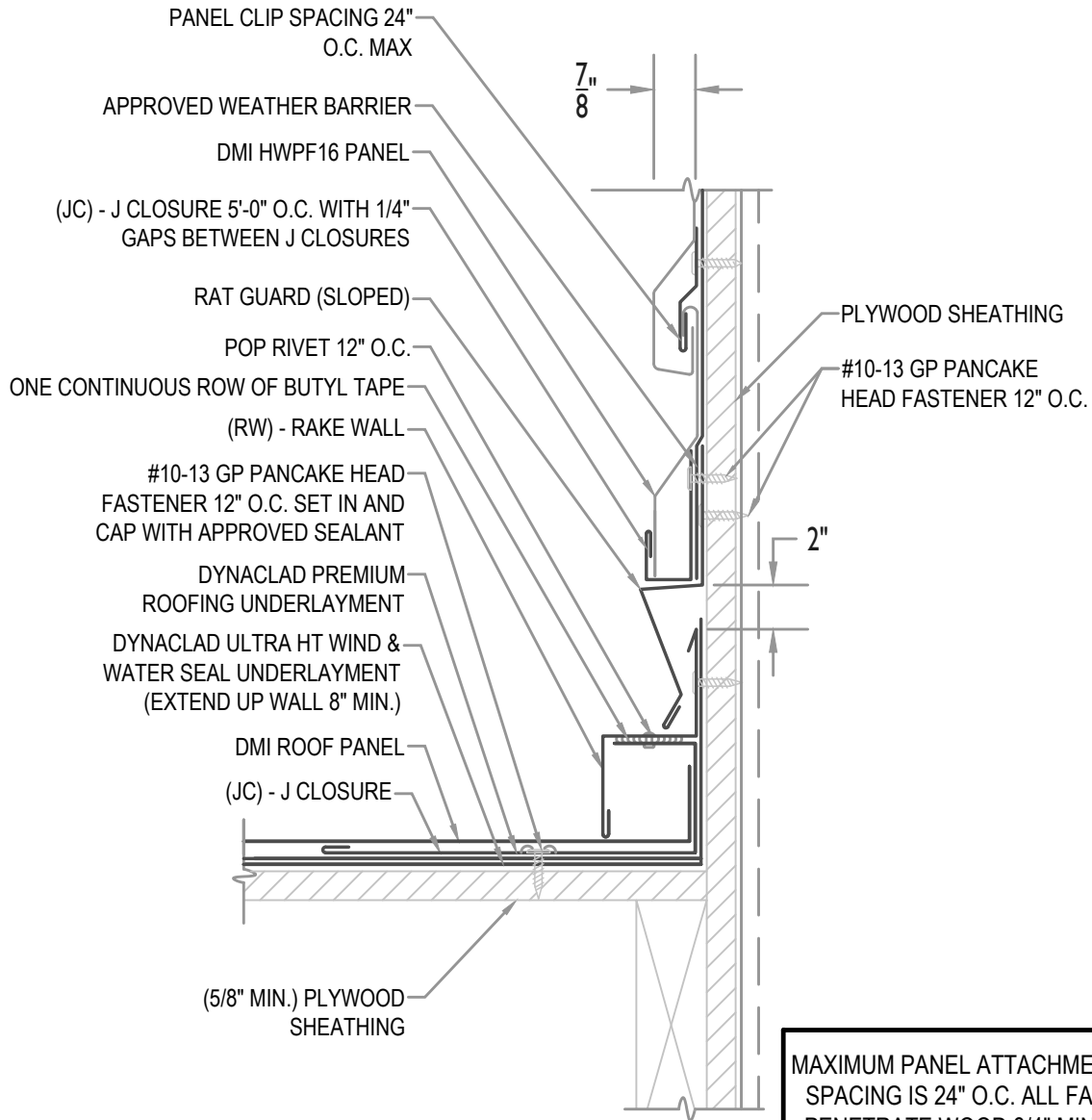
04/19

Scale:

3"=1'-0"

FLASHING LAP NOTE

LAP (RW) - RAKE WALL AND RAT GUARD (SLOPED) 2" MINIMUM WITH 2 ROWS OF BUTYL SEALANT.



MAXIMUM PANEL ATTACHMENT FASTENER SPACING IS 24" O.C. ALL FASTENERS TO PENETRATE WOOD 3/4" MIN. AND METAL FRAMING 1/2" MIN.



RAKE WALL

• **PROVEN** • **DEPENDABLE** • **SUSTAINABLE** •

METAL ENVELOPE SYSTEMS SINCE 1988

WWW.DMIMETALS.COM

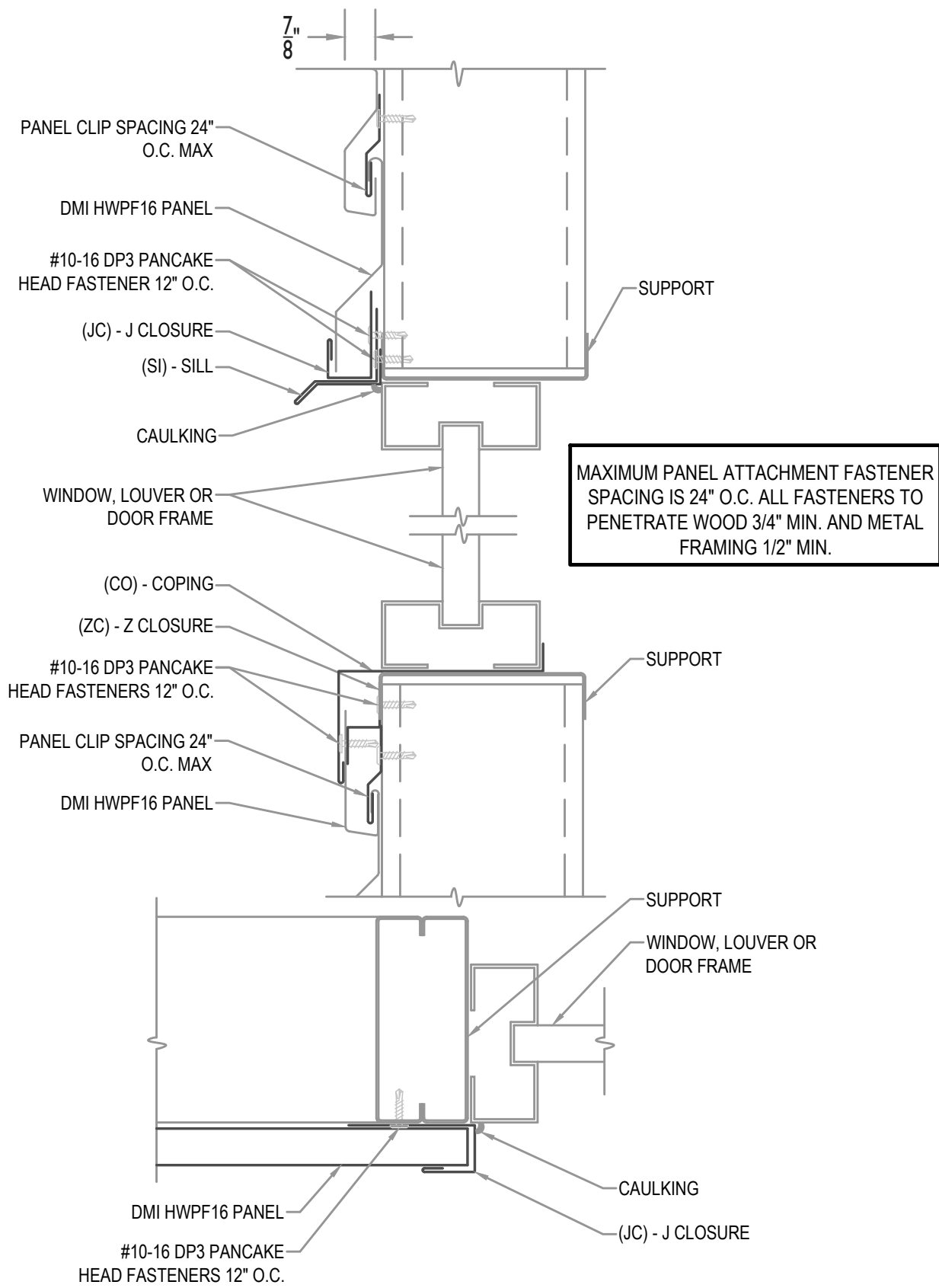
Detail:
HWPF16-H-05-00

Issue/Rev Date:

04/19

Scale:

3"=1'-0"



OPENING HEAD, SILL AND JAMB

• **PROVEN** • **DEPENDABLE** • **SUSTAINABLE** •
METAL ENVELOPE SYSTEMS SINCE 1988

WWW.DMIMETALS.COM

Detail:
HWPf16-H-06-00

Issue/Rev Date:	Scale:
04/19	3"=1'-0"

- HIGH PROFILE EDGE CAULK
- MEMBRANE ROOFING
- #10-13 GP PANCAKE HEAD FASTENER 12" O.C.
- BAR COVER TAPE
- HIGH PROFILE EDGE CAULK
- #14-13 X 1 1/2" DP1 PANCAKE HEAD FASTENER 30" O.C.
- #10-13 GP PANCAKE HEAD FASTENER 12" O.C.

MAXIMUM PANEL ATTACHMENT FASTENER SPACING IS 24" O.C. ALL FASTENERS TO PENETRATE WOOD 3/4" MIN. AND METAL FRAMING 1/2" MIN.

- (GS) - DMI CONTINUOUS GUTTER STRAP 30" O.C. MAX.
- (GU) - DMI CONTINUOUS GUTTER
- POP RIVET (EIGHT PER OUTLET) SEALED WITH APPROVED SEALANT

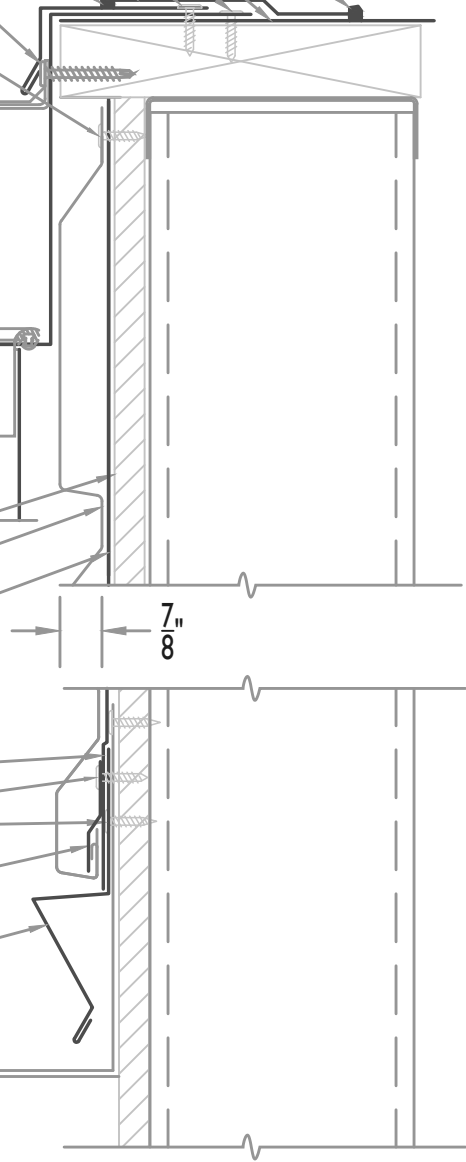
- (DS) - DOWNSPOUT
- (DR) - DROP

- PLYWOOD SHEATHING
- DMI HWPF16 PANEL
- APPROVED WEATHER BARRIER

- APPROVED WEATHER BARRIER
- #10-13 GP PANCAKE HEAD FASTENER 12" O.C.

- (CSC) - CONTINUOUS STARTER CLEAT
- (RG) - RAT GUARD

MEMBRANE ROOFING



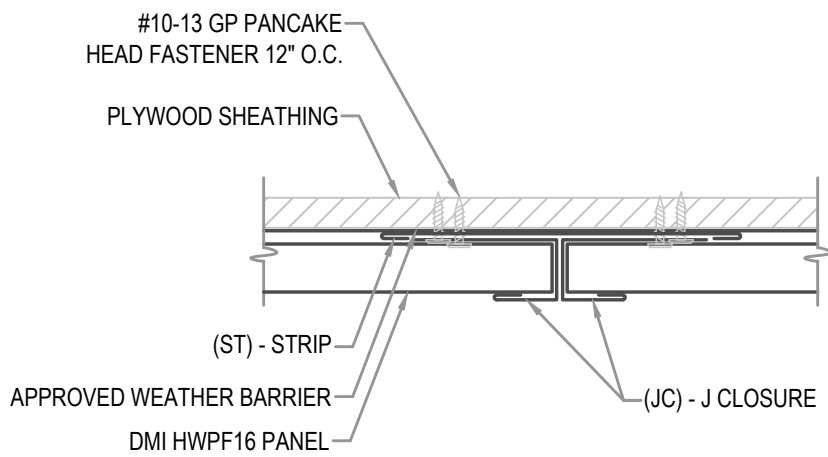
WALL SECTION AT MEMBRANE ROOF

• **PROVEN** • **DEPENDABLE** • **SUSTAINABLE** •
METAL ENVELOPE SYSTEMS SINCE 1988
 WWW.DMIMETALS.COM

Detail:
HWPF16-H-07-00

Issue/Rev Date: **04/19** Scale: **3"=1'-0"**

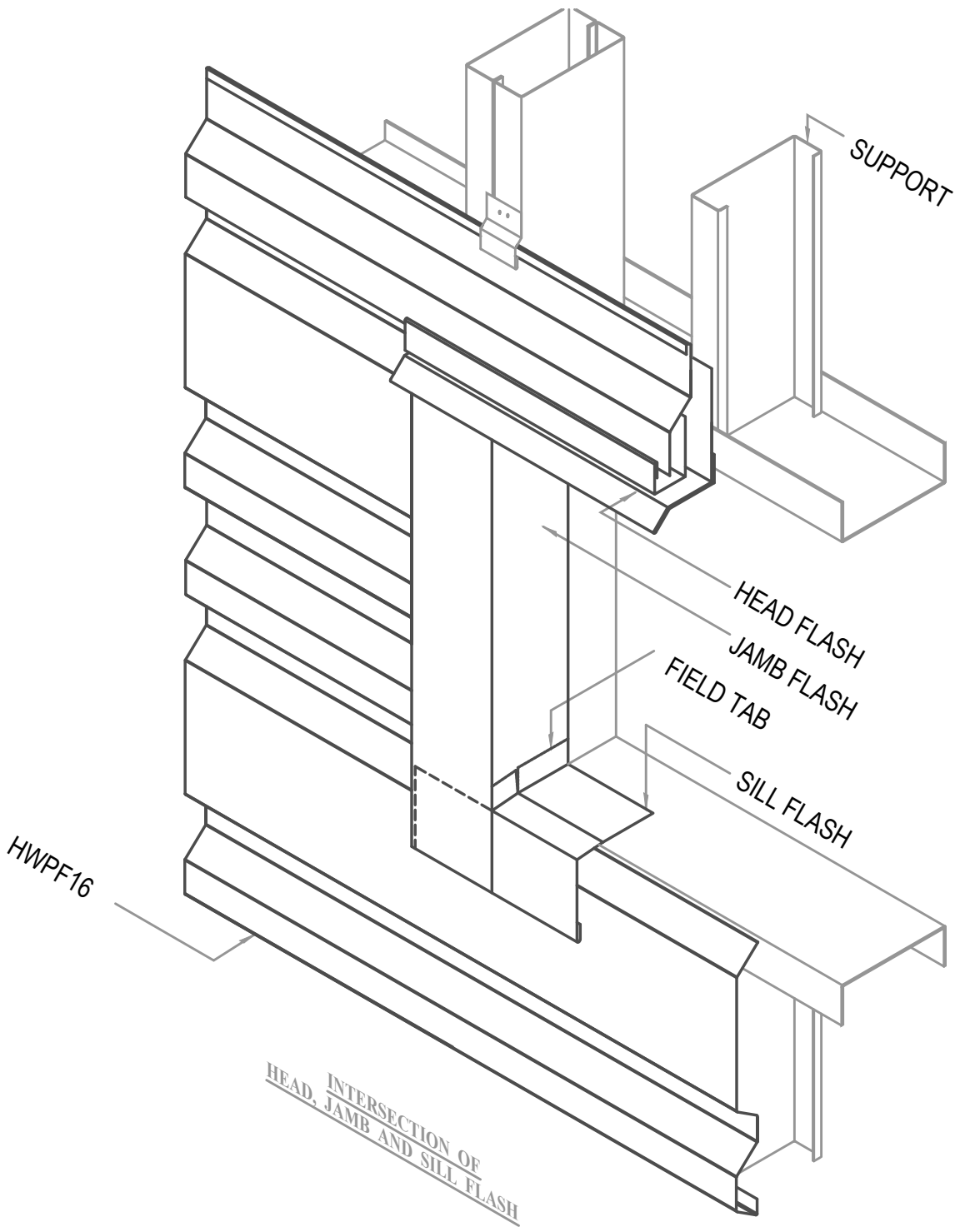
MAXIMUM PANEL ATTACHMENT FASTENER SPACING IS 24" O.C. ALL FASTENERS TO PENETRATE WOOD 3/4" MIN. AND METAL FRAMING 1/2" MIN.



PANEL LAP

• **PROVEN** • **DEPENDABLE** • **SUSTAINABLE** •
METAL ENVELOPE SYSTEMS SINCE 1988
WWW.DMIMETALS.COM

Detail:
HWPF16-H-08-00
 Issue/Rev Date: **04/19** Scale: **3"=1'-0"**



ISO HEAD, SILL AND JAMB

• **PROVEN** • **DEPENDABLE** • **SUSTAINABLE** •
METAL ENVELOPE SYSTEMS SINCE 1988

WWW.DMIMETALS.COM

Detail:
HWPF16-H-09-00

Issue/Rev Date:

04/19

Scale:

3"=1'-0"