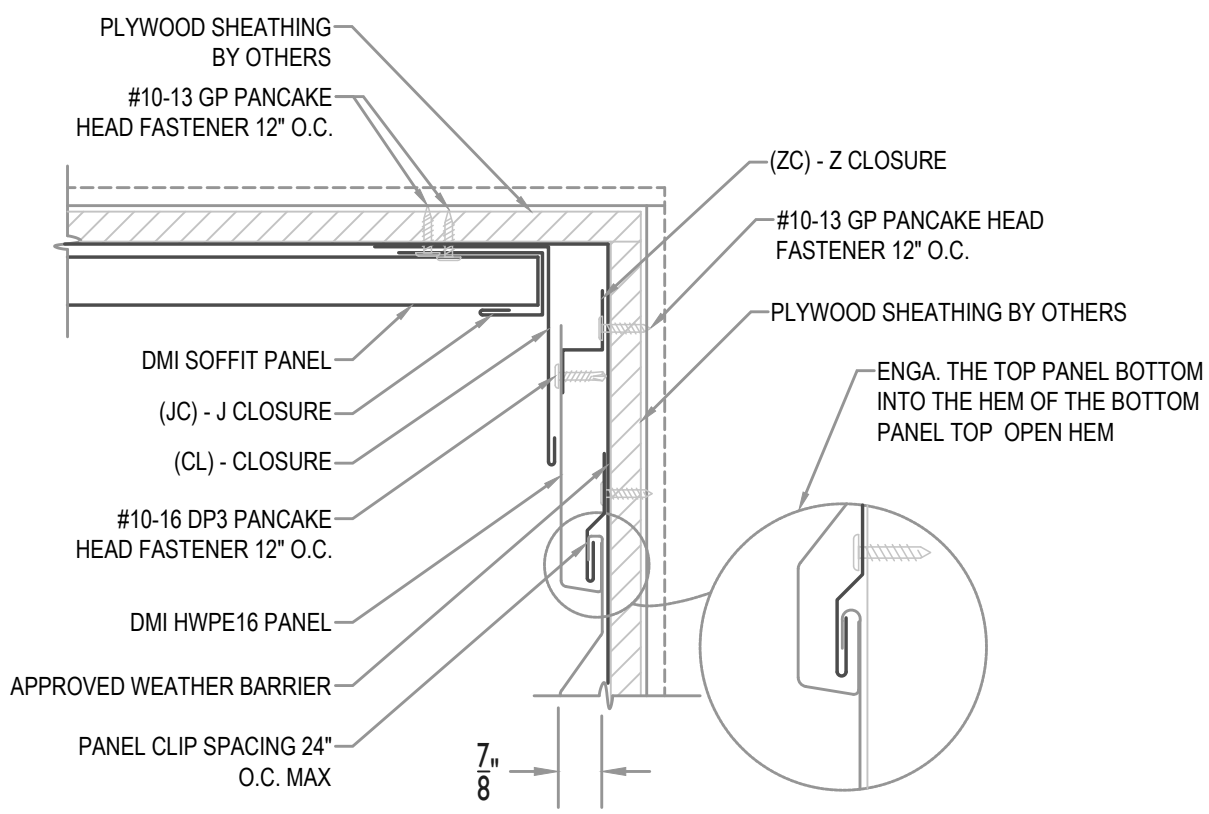


MAXIMUM PANEL ATTACHMENT FASTENER SPACING IS 24" O.C. ALL FASTENERS TO PENETRATE WOOD 3/4" MIN. AND METAL FRAMING 1/2" MIN.



SOFFIT TO WALL PANEL

• **PROVEN** • **DEPENDABLE** • **SUSTAINABLE** •
METAL ENVELOPE SYSTEMS SINCE 1988
 WWW.DMIMETALS.COM

Detail:
HWPE16-H- 01-00

Issue/Rev Date: **04/19** Scale: **3"=1'-0"**