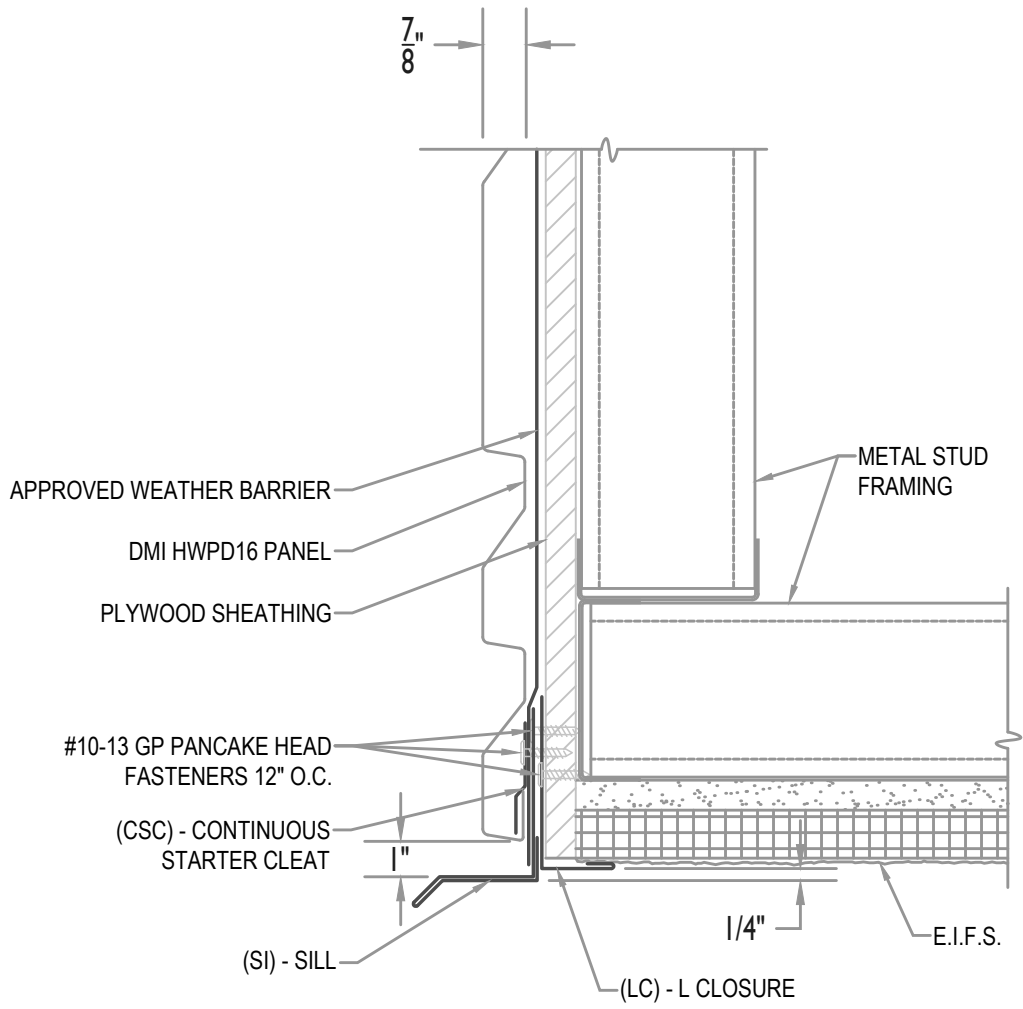


MAXIMUM PANEL ATTACHMENT FASTENER SPACING IS 24" O.C. ALL FASTENERS TO PENETRATE WOOD 3/4" MIN. AND METAL FRAMING 1/2" MIN.



WALL PANEL W/ (EIFS SOFFIT)

• **PROVEN** • **DEPENDABLE** • **SUSTAINABLE** •
METAL ENVELOPE SYSTEMS SINCE 1988
WWW.DMIMETALS.COM

Detail:
HWPD16-H- 02-00

Issue/Rev Date:
04/19

Scale:
3"=1'-0"