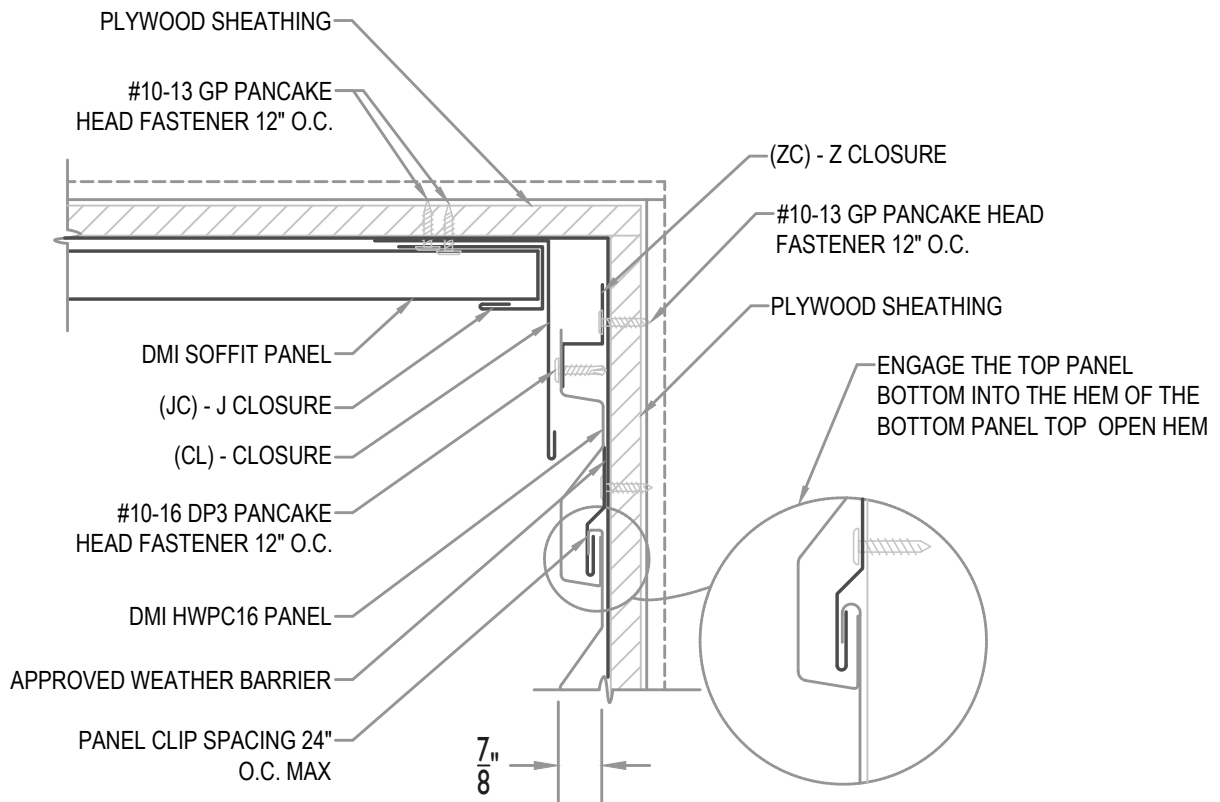


MAXIMUM PANEL ATTACHMENT FASTENER SPACING IS 24" O.C. ALL FASTENERS TO PENETRATE WOOD 3/4" MIN. AND METAL FRAMING 1/2" MIN.



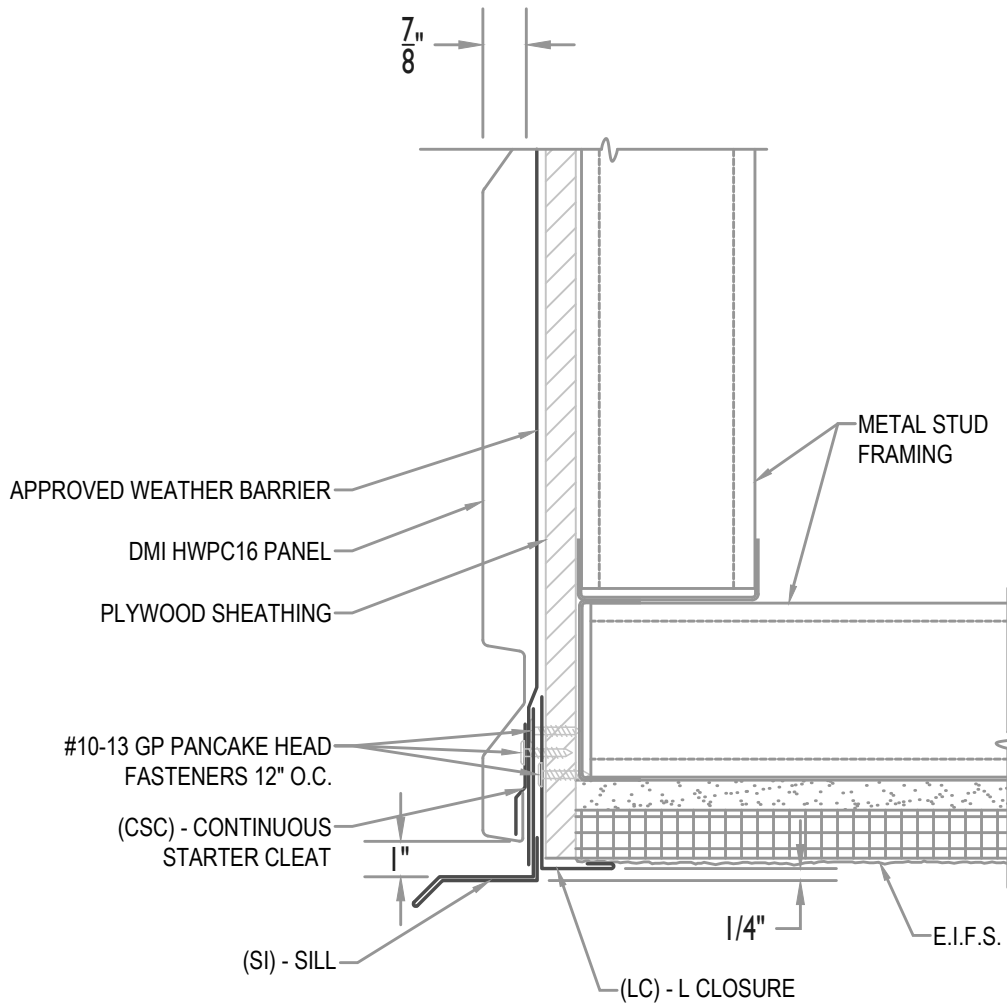
### SOFFIT TO WALL PANEL

• **PROVEN** • **DEPENDABLE** • **SUSTAINABLE** •  
**METAL ENVELOPE SYSTEMS SINCE 1988**  
[WWW.DMIMETALS.COM](http://WWW.DMIMETALS.COM)

Detail:  
**HWPC16-H-01-00**

Issue/Rev Date: **04/19** Scale: **3"=1'-0"**

MAXIMUM PANEL ATTACHMENT FASTENER SPACING IS 24" O.C. ALL FASTENERS TO PENETRATE WOOD 3/4" MIN. AND METAL FRAMING 1/2" MIN.



WALL PANEL W/ (EIFS SOFFIT)

• PROVEN • DEPENDABLE • SUSTAINABLE •

METAL ENVELOPE SYSTEMS SINCE 1988

WWW.DMIMETALS.COM

Detail:

HWPC16-H-02-00

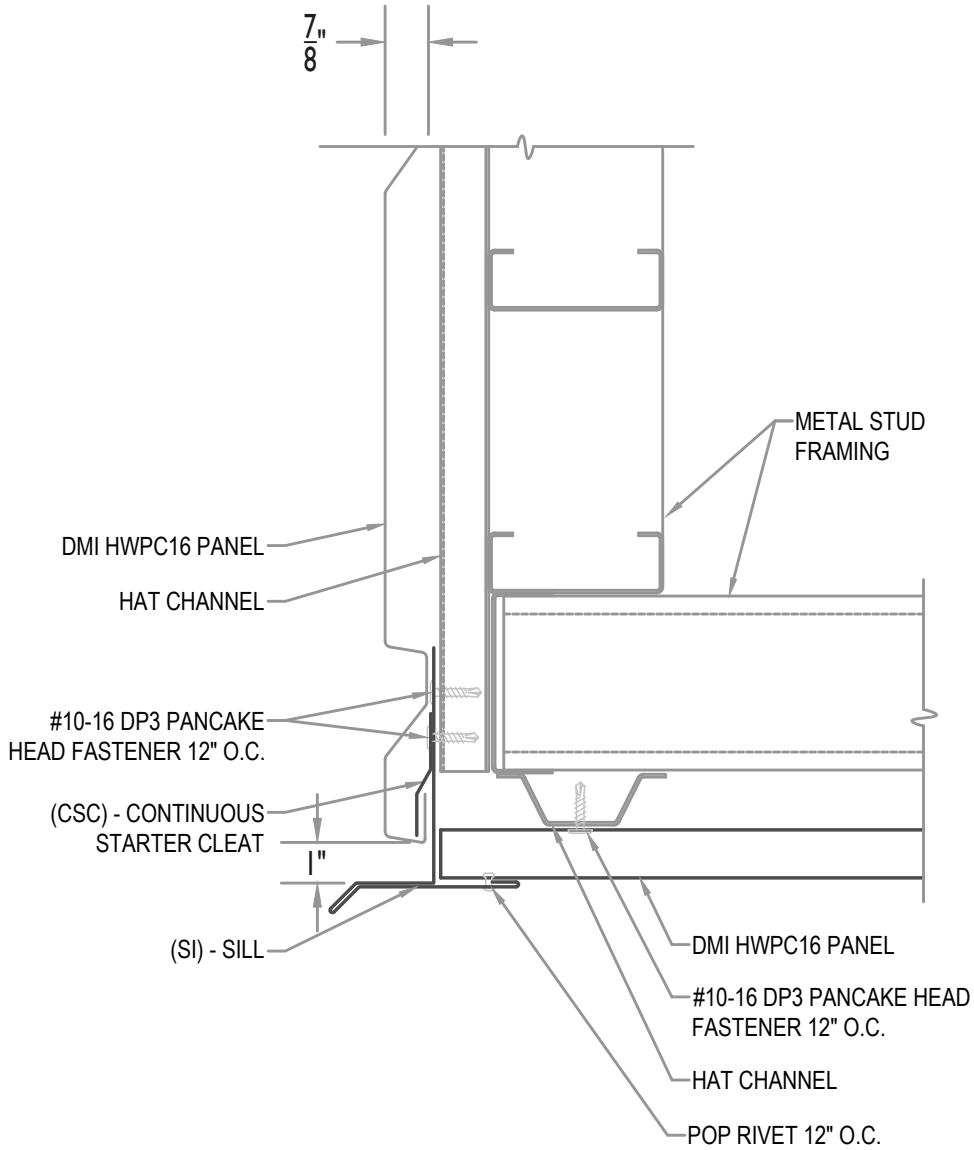
Issue/Rev Date:

04/19

Scale:

3"=1'-0"

MAXIMUM PANEL ATTACHMENT FASTENER SPACING IS 24" O.C. ALL FASTENERS TO PENETRATE WOOD 3/4" MIN. AND METAL FRAMING 1/2" MIN.



WALL PANEL W/ (PANEL SOFFIT)

• **PROVEN** • **DEPENDABLE** • **SUSTAINABLE** •  
**METAL ENVELOPE SYSTEMS SINCE 1988**

WWW.DMIMETALS.COM

Detail:  
**HWPC16-H-02-01**

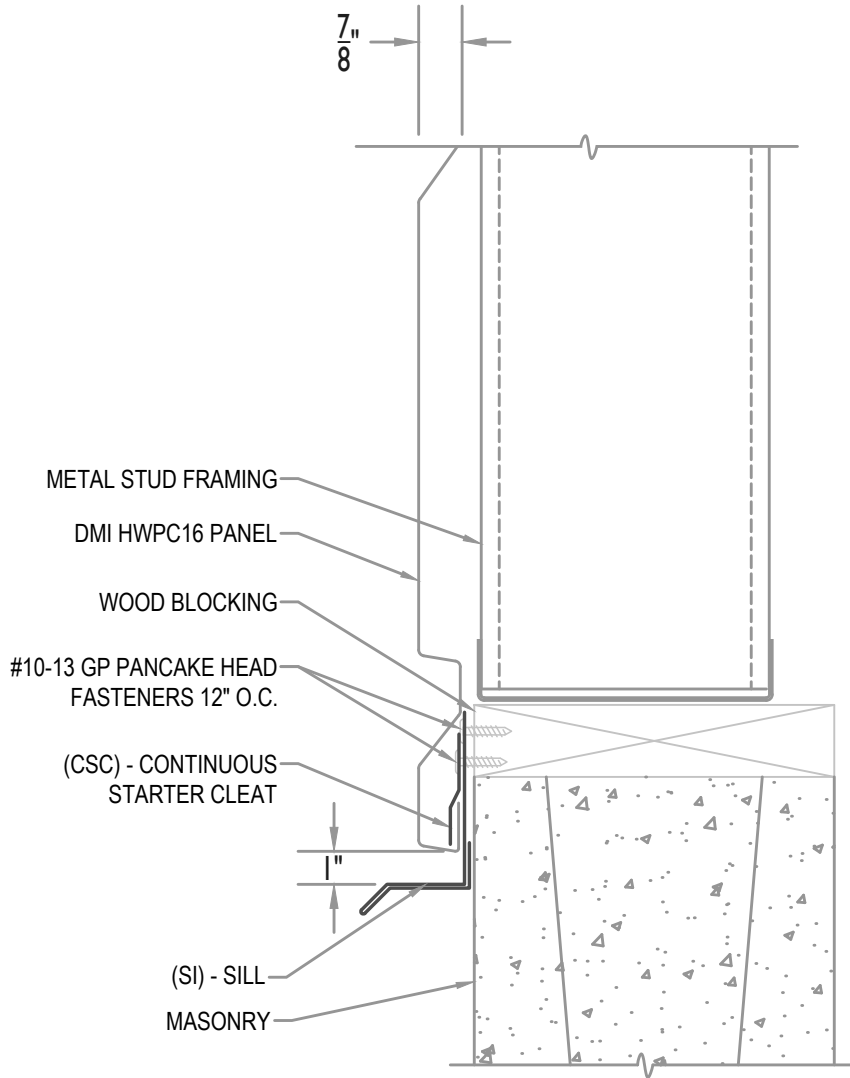
Issue/Rev Date:

04/19

Scale:

3"=1'-0"

MAXIMUM PANEL ATTACHMENT FASTENER SPACING IS 24" O.C. ALL FASTENERS TO PENETRATE WOOD 3/4" MIN. AND METAL FRAMING 1/2" MIN.



WALL PANEL W/ SILL (AT BLOCK)

• PROVEN • DEPENDABLE • SUSTAINABLE •

METAL ENVELOPE SYSTEMS SINCE 1988

WWW.DMIMETALS.COM

Detail:

HWPC16-H-02-02

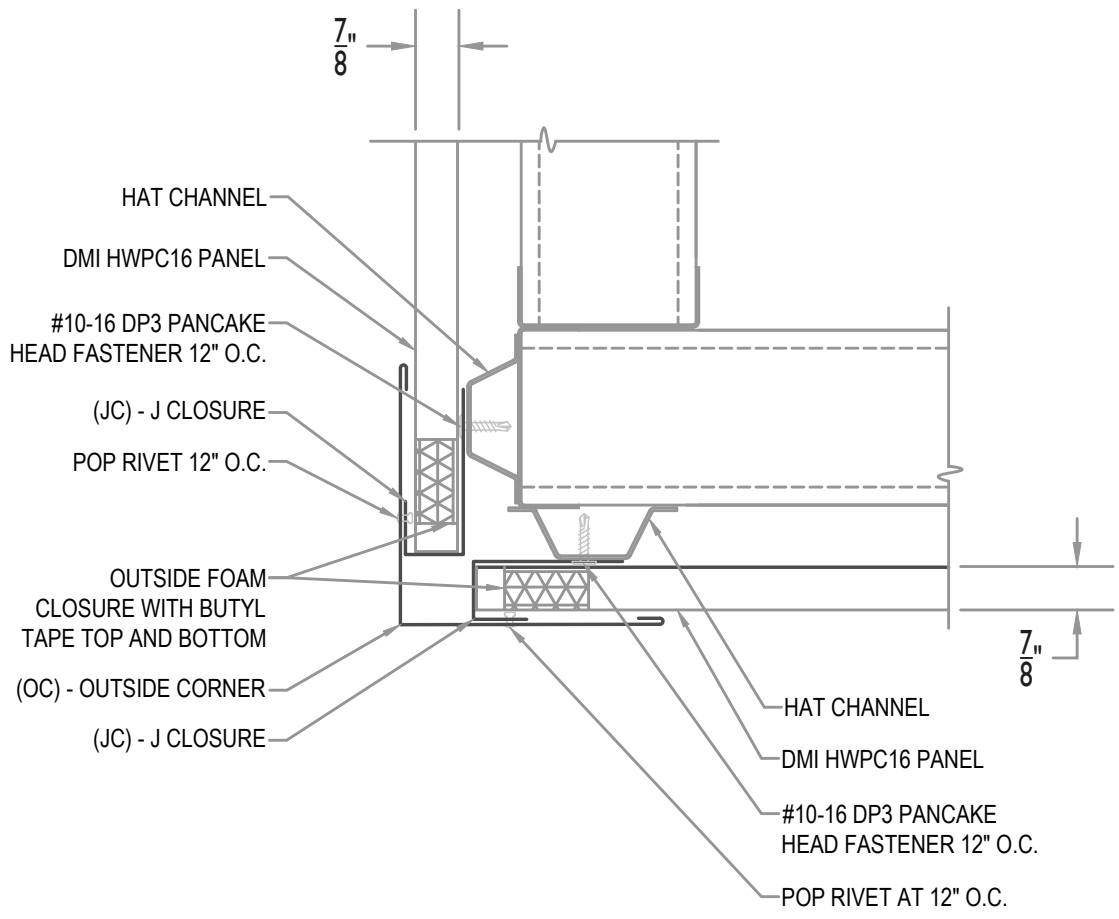
Issue/Rev Date:

04/19

Scale:

3"=1'-0"

MAXIMUM PANEL ATTACHMENT FASTENER SPACING IS 24" O.C. ALL FASTENERS TO PENETRATE WOOD 3/4" MIN. AND METAL FRAMING 1/2" MIN.



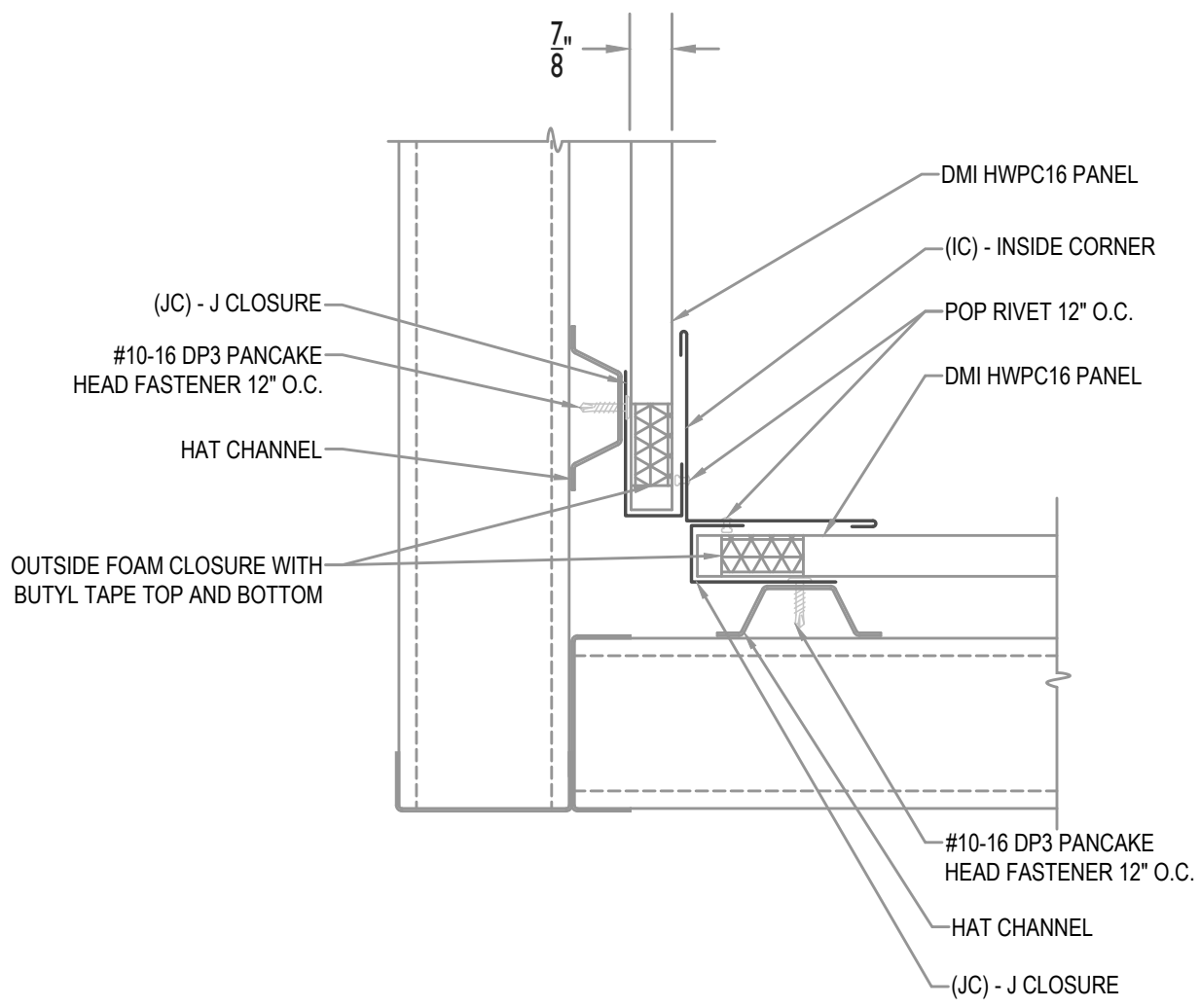
OUTSIDE CORNER

• **PROVEN** • **DEPENDABLE** • **SUSTAINABLE** •  
**METAL ENVELOPE SYSTEMS SINCE 1988**  
[WWW.DMIMETALS.COM](http://WWW.DMIMETALS.COM)

Detail:  
**HWPC16-H-03-00**

Issue/Rev Date: **04/19** Scale: **3"=1'-0"**

MAXIMUM PANEL ATTACHMENT FASTENER SPACING IS 24" O.C. ALL FASTENERS TO PENETRATE WOOD 3/4" MIN. AND METAL FRAMING 1/2" MIN.



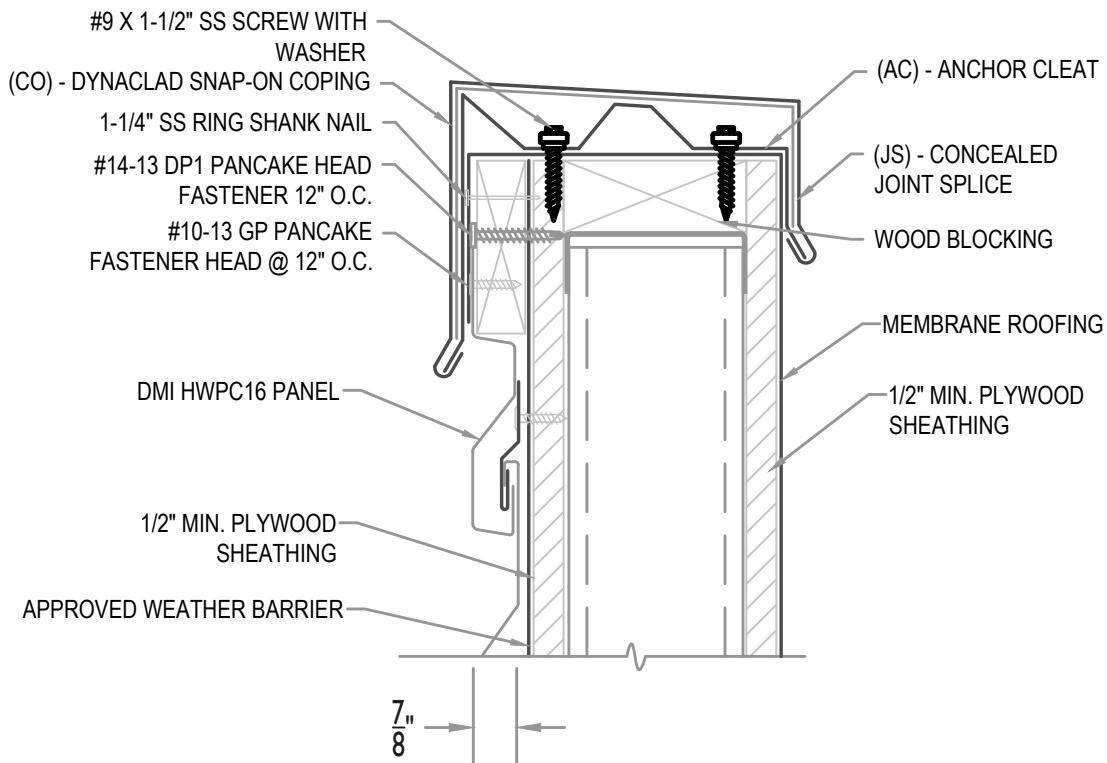
INSIDE CORNER

• **PROVEN** • **DEPENDABLE** • **SUSTAINABLE** •  
**METAL ENVELOPE SYSTEMS SINCE 1988**  
[WWW.DMIMETALS.COM](http://WWW.DMIMETALS.COM)

Detail:  
**HWPC16-H-03-01**

Issue/Rev Date:	Scale:
04/19	3"=1'-0"

SEE DMI DYNACLAD EDGE INSTALLATION GUIDE FOR COMPLETE FASTENING AND INSTALLATION INFORMATION FOR ES-1 RATED SNAP-ON COPING



MAXIMUM PANEL ATTACHMENT FASTENER SPACING IS 24" O.C. ALL FASTENERS TO PENETRATE WOOD 3/4" MIN. AND METAL FRAMING 1/2" MIN.



COPING WITH WOOD SUBSTRATE

• **PROVEN** • **DEPENDABLE** • **SUSTAINABLE** •

**METAL ENVELOPE SYSTEMS SINCE 1988**

WWW.DMIMETALS.COM

Detail:

HWPC16-H-04-00

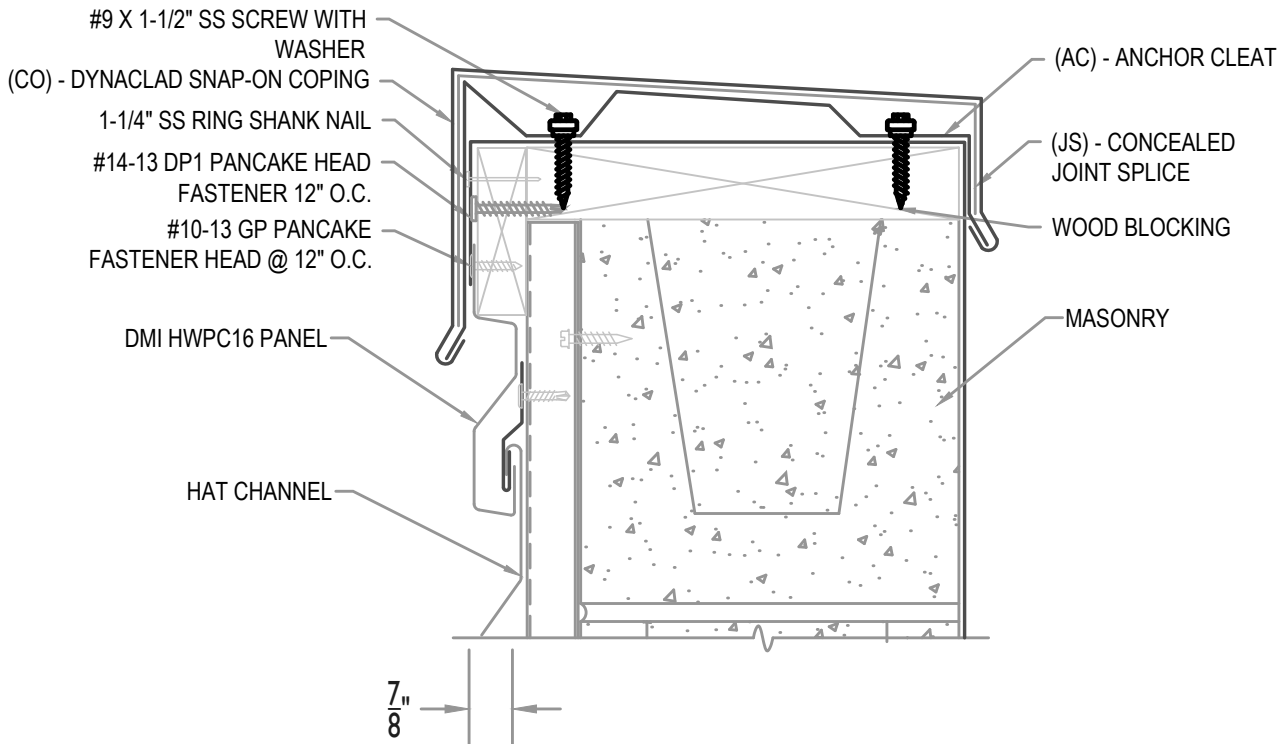
Issue/Rev Date:

04/19

Scale:

3"=1'-0"

SEE DMI DYNACLAD EDGE INSTALLATION GUIDE FOR COMPLETE FASTENING AND INSTALLATION INFORMATION FOR ES-1 RATED SNAP-ON COPING



MAXIMUM PANEL ATTACHMENT FASTENER SPACING IS 24" O.C. ALL FASTENERS TO PENETRATE WOOD 3/4" MIN. AND METAL FRAMING 1/2" MIN.



COPING WITH HAT CHANNEL

• **PROVEN** • **DEPENDABLE** • **SUSTAINABLE** •

**METAL ENVELOPE SYSTEMS SINCE 1988**

WWW.DMIMETALS.COM

Detail:

HWPC16-H-04-01

Issue/Rev Date:

04/19

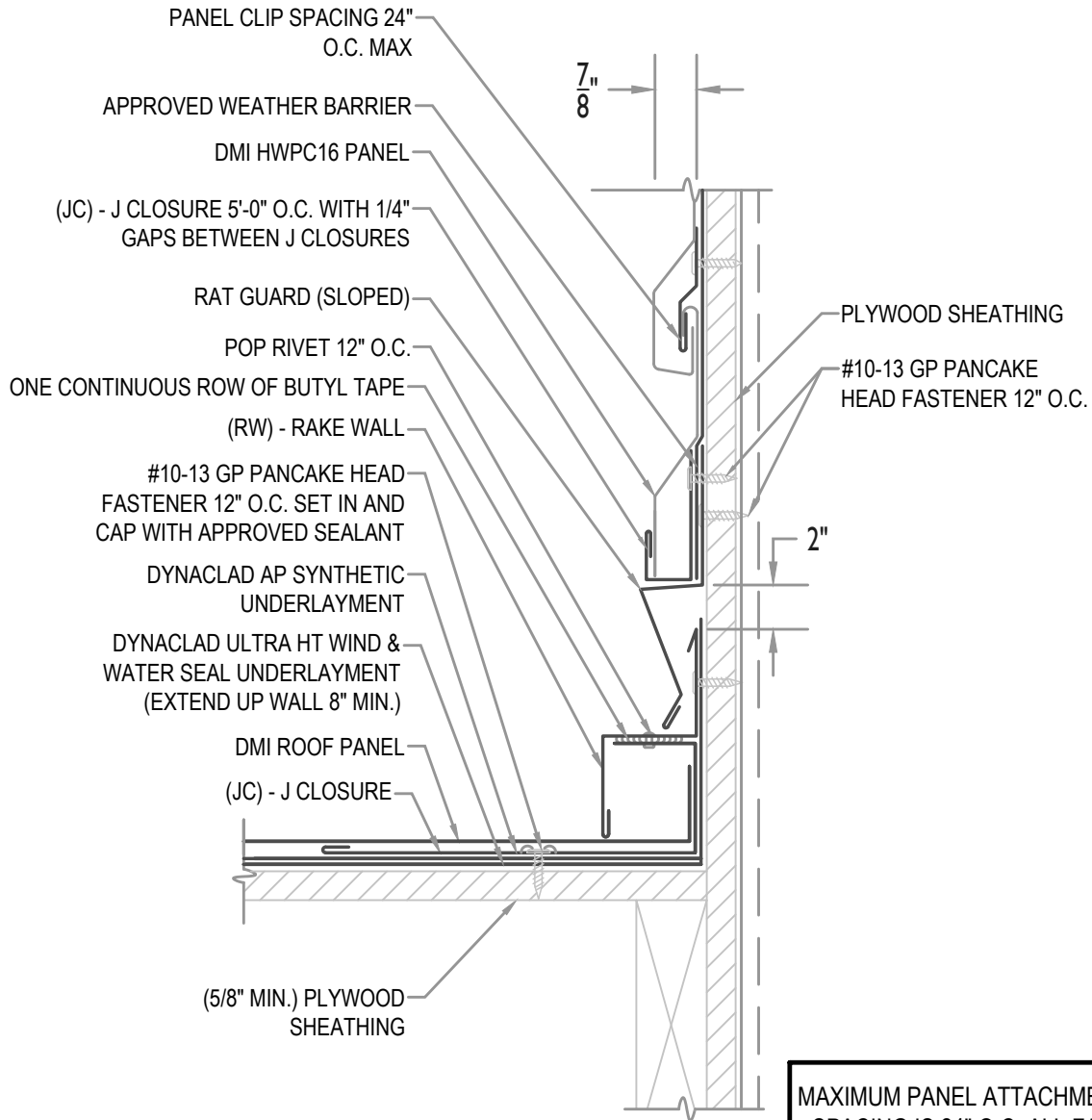
Scale:

3"=1'-0"



**FLASHING LAP NOTE**

LAP (RW) - RAKE WALL AND RAT GUARD (SLOPED) 2" MINIMUM WITH 2 ROWS OF BUTYL SEALANT.



MAXIMUM PANEL ATTACHMENT FASTENER SPACING IS 24" O.C. ALL FASTENERS TO PENETRATE WOOD 3/4" MIN. AND METAL FRAMING 1/2" MIN.



**RAKE WALL**

• **PROVEN** • **DEPENDABLE** • **SUSTAINABLE** •

**METAL ENVELOPE SYSTEMS SINCE 1988**

WWW.DMIMETALS.COM

Detail:

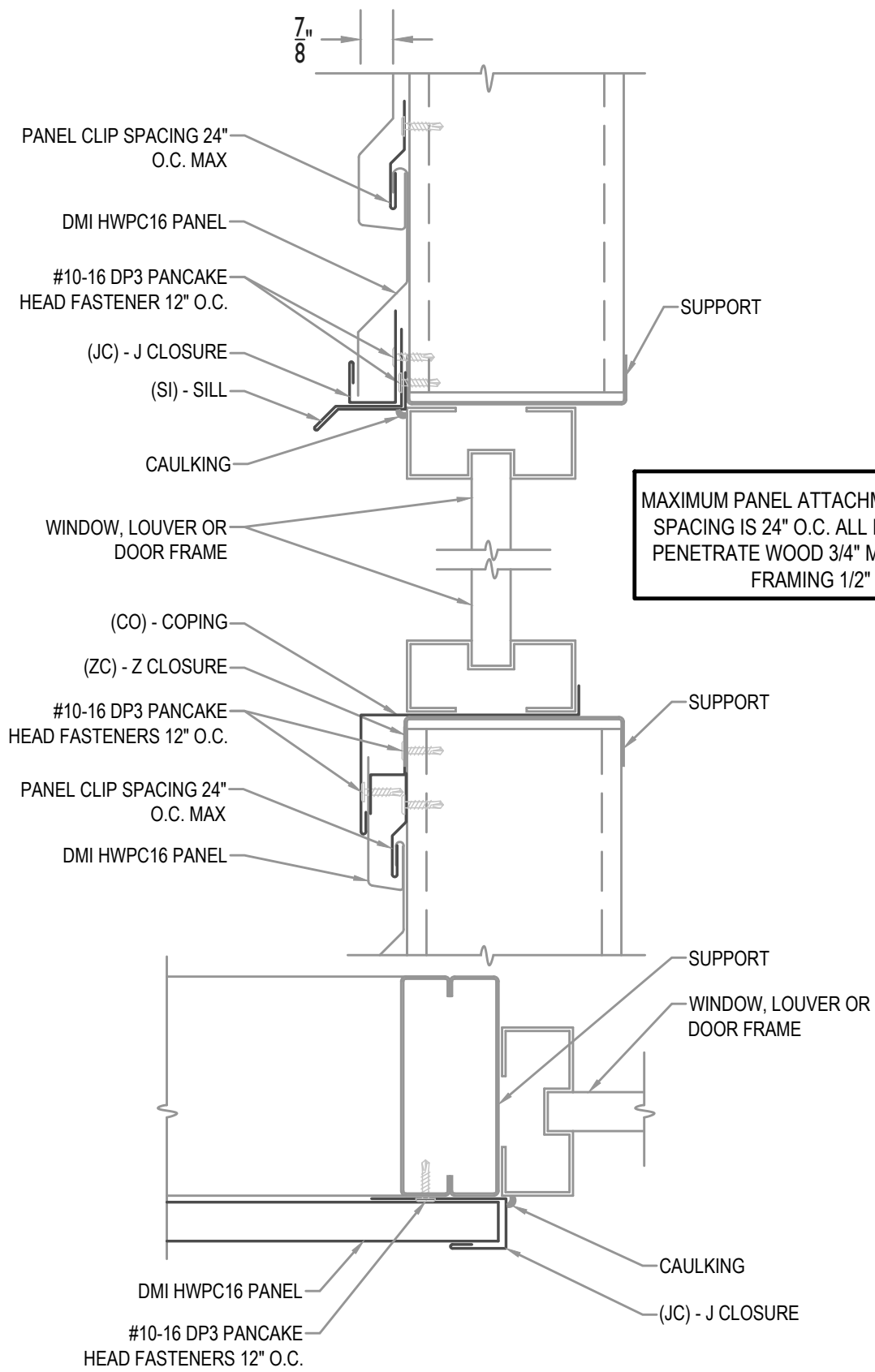
**HWPC16-H-05-00**

Issue/Rev Date:

**04/19**

Scale:

**3"=1'-0"**



**OPENING HEAD, SILL AND JAMB**

Detail:  
**HWPC16-H-06-00**

**• PROVEN • DEPENDABLE • SUSTAINABLE •**  
**METAL ENVELOPE SYSTEMS SINCE 1988**

Issue/Rev Date: **04/19** Scale: **3"=1'-0"**

- HIGH PROFILE EDGE CAULK
- MEMBRANE ROOFING
- #10-13 GP PANCAKE HEAD FASTENER 12" O.C.
- BAR COVER TAPE
- HIGH PROFILE EDGE CAULK
- #14-13 X 1 1/2" DP1 PANCAKE HEAD FASTENER 30" O.C.
- #10-13 GP PANCAKE HEAD FASTENER 12" O.C.

MAXIMUM PANEL ATTACHMENT FASTENER SPACING IS 24" O.C. ALL FASTENERS TO PENETRATE WOOD 3/4" MIN. AND METAL FRAMING 1/2" MIN.

(GS) - DMI CONTINUOUS GUTTER STRAP 30" O.C. MAX.

(GU) - DMI CONTINUOUS GUTTER

POP RIVET (EIGHT PER OUTLET) SEALED WITH APPROVED SEALANT

(DS) - DOWNSPOUT

(DR) - DROP

PLYWOOD SHEATHING

DMI HWPC16 PANEL

APPROVED WEATHER BARRIER

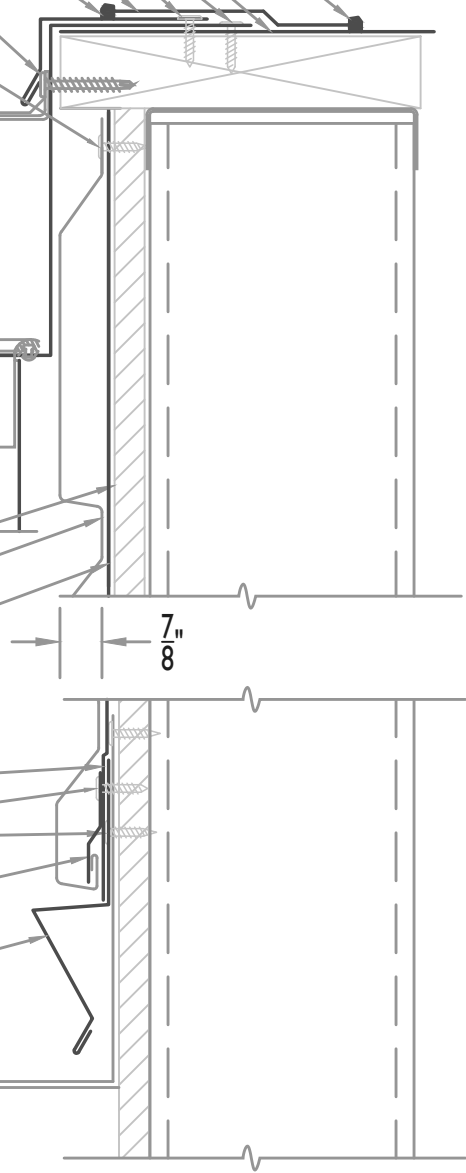
APPROVED WEATHER BARRIER

#10-13 GP PANCAKE HEAD FASTENER 12" O.C.

(CSC) - CONTINUOUS STARTER CLEAT

(RG) - RAT GUARD

MEMBRANE ROOFING



WALL SECTION AT MEMBRANE ROOF

• PROVEN • DEPENDABLE • SUSTAINABLE •

METAL ENVELOPE SYSTEMS SINCE 1988

WWW.DMIMETALS.COM

Detail:

HWPC16-H-07-00

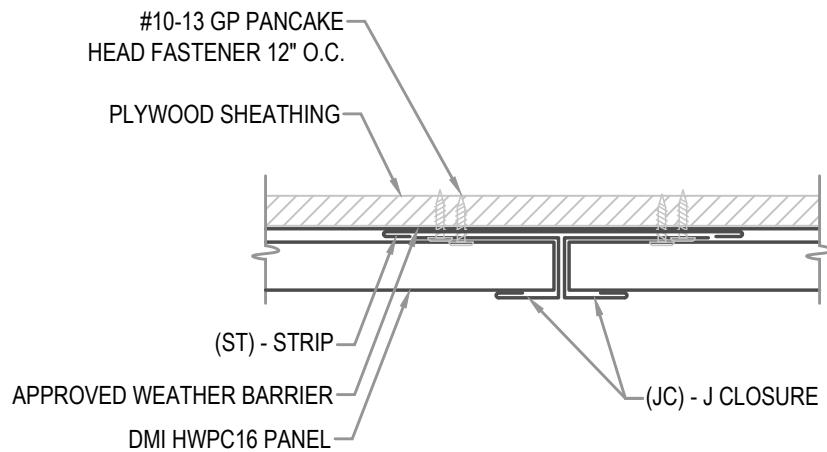
Issue/Rev Date:

04/19

Scale:

3"=1'-0"

MAXIMUM PANEL ATTACHMENT FASTENER SPACING IS 24" O.C. ALL FASTENERS TO PENETRATE WOOD 3/4" MIN. AND METAL FRAMING 1/2" MIN.



PANEL LAP

• **PROVEN** • **DEPENDABLE** • **SUSTAINABLE** •

**METAL ENVELOPE SYSTEMS SINCE 1988**

WWW.DMIMETALS.COM

Detail:

HWPC16-H-08-00

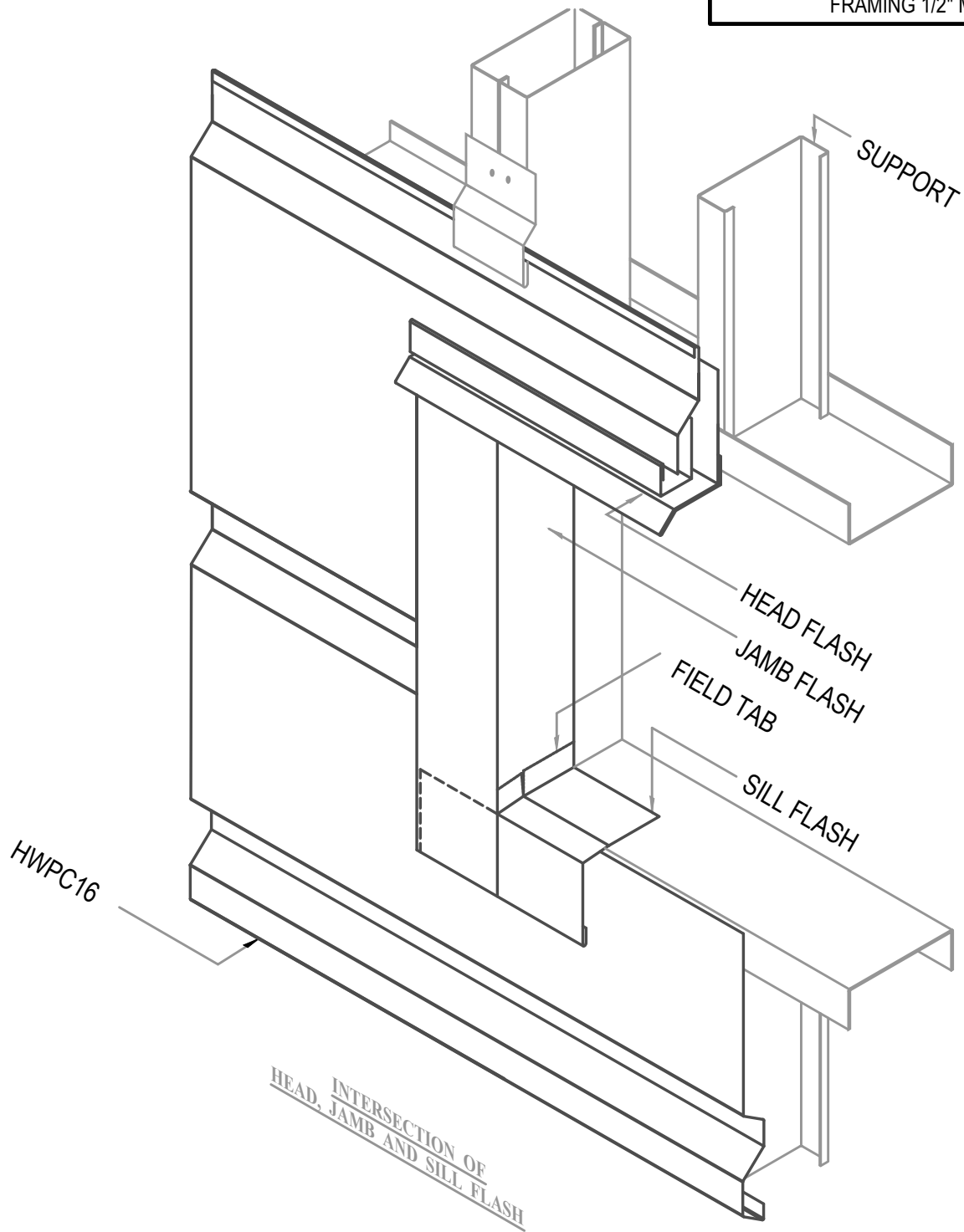
Issue/Rev Date:

04/19

Scale:

3"=1'-0"

MAXIMUM PANEL ATTACHMENT FASTENER SPACING IS 24" O.C. ALL FASTENERS TO PENETRATE WOOD 3/4" MIN. AND METAL FRAMING 1/2" MIN.



ISO HEAD, SILL AND JAMB

• **PROVEN** • **DEPENDABLE** • **SUSTAINABLE** •

**METAL ENVELOPE SYSTEMS SINCE 1988**

WWW.DMIMETALS.COM

Detail:  
HWPC16-H-09-00

Issue/Rev Date:

04/19

Scale:

3"=1'-0"