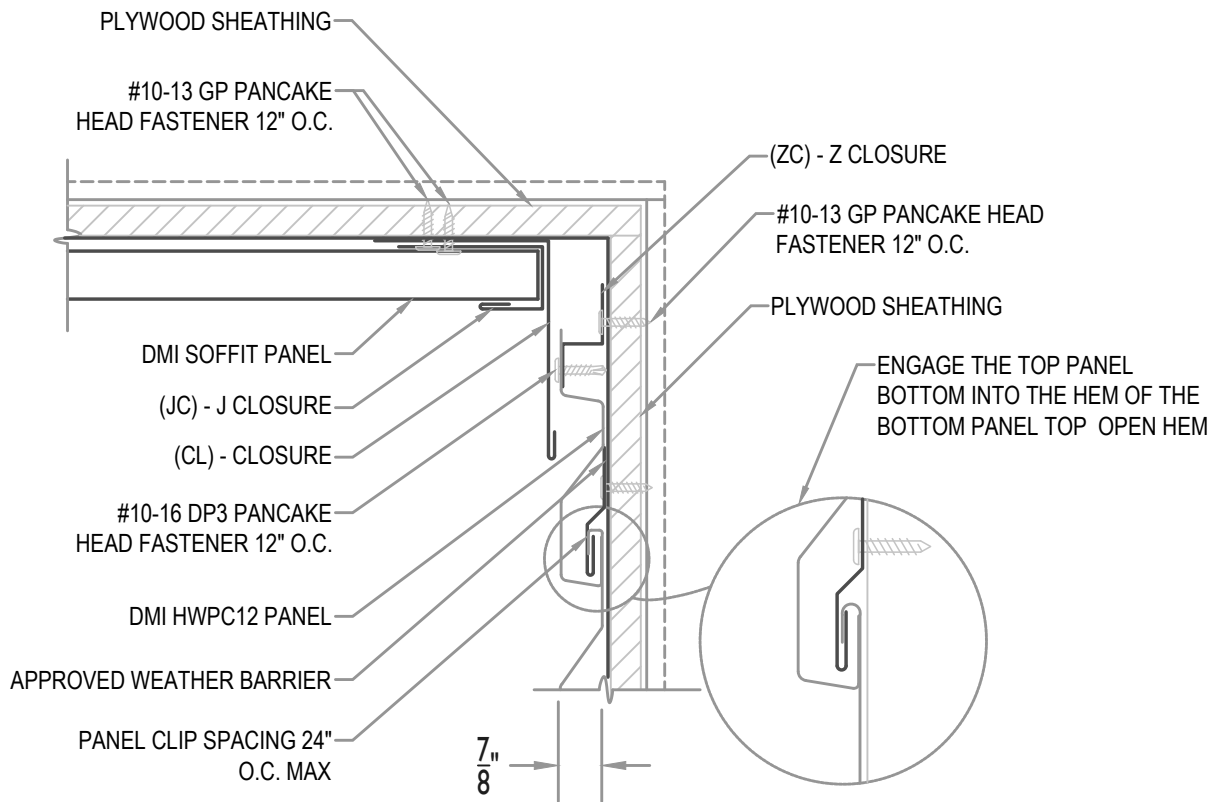


MAXIMUM PANEL ATTACHMENT FASTENER SPACING IS 24" O.C. ALL FASTENERS TO PENETRATE WOOD 3/4" MIN. AND METAL FRAMING 1/2" MIN.



SOFFIT TO WALL PANEL

• PROVEN • DEPENDABLE • SUSTAINABLE •

METAL ENVELOPE SYSTEMS SINCE 1988

WWW.DMIMETALS.COM

Detail:  
HWPC12-H-01-00

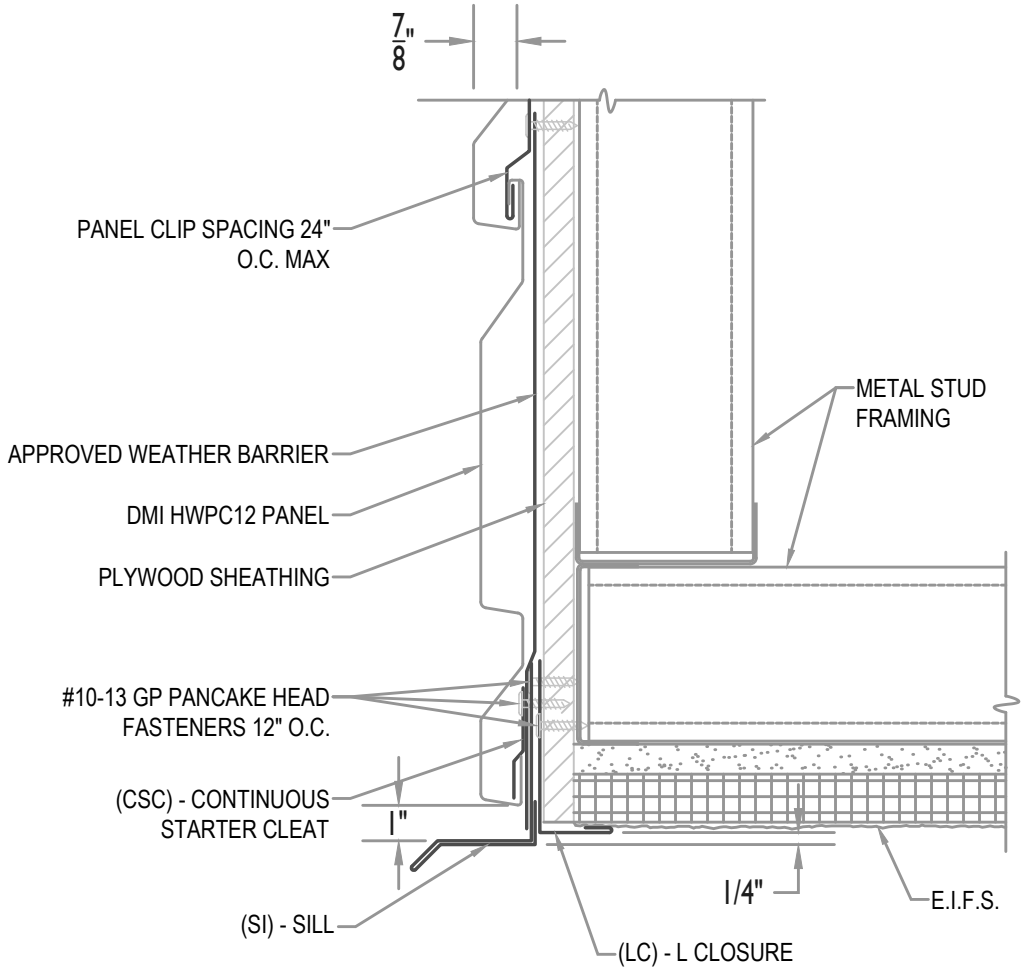
Issue/Rev Date:

04/19

Scale:

3"=1'-0"

MAXIMUM PANEL ATTACHMENT FASTENER SPACING IS 24" O.C. ALL FASTENERS TO PENETRATE WOOD 3/4" MIN. AND METAL FRAMING 1/2" MIN.

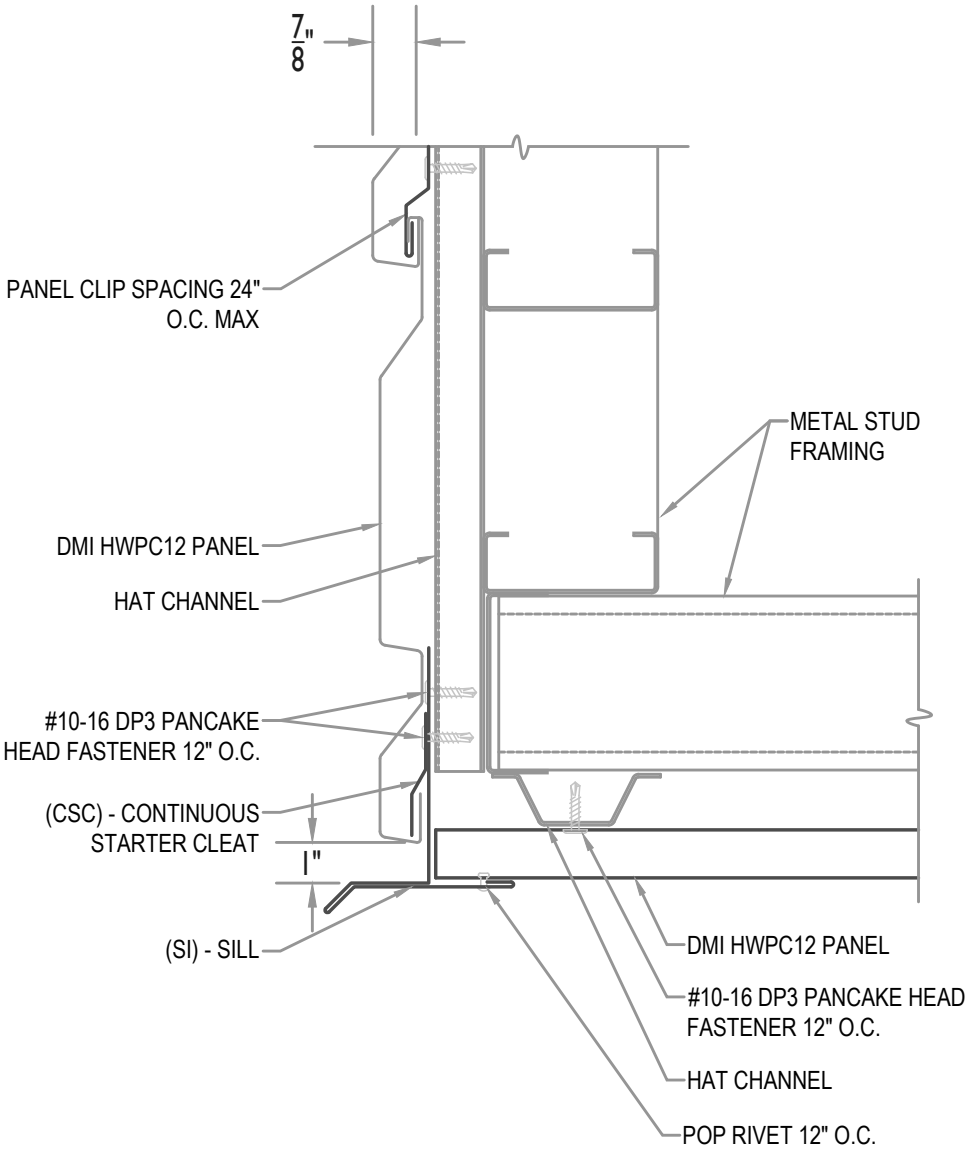


WALL PANEL W/ (EIFS SOFFIT)

• **PROVEN** • **DEPENDABLE** • **SUSTAINABLE** •  
**METAL ENVELOPE SYSTEMS SINCE 1988**  
[WWW.DMIMETALS.COM](http://WWW.DMIMETALS.COM)

Detail:  
**HWPC12-H-02-00**  
 Issue/Rev Date: **04/19** Scale: **3"=1'-0"**

MAXIMUM PANEL ATTACHMENT FASTENER  
SPACING IS 24" O.C. ALL FASTENERS TO  
PENETRATE WOOD 3/4" MIN. AND METAL  
FRAMING 1/2" MIN.



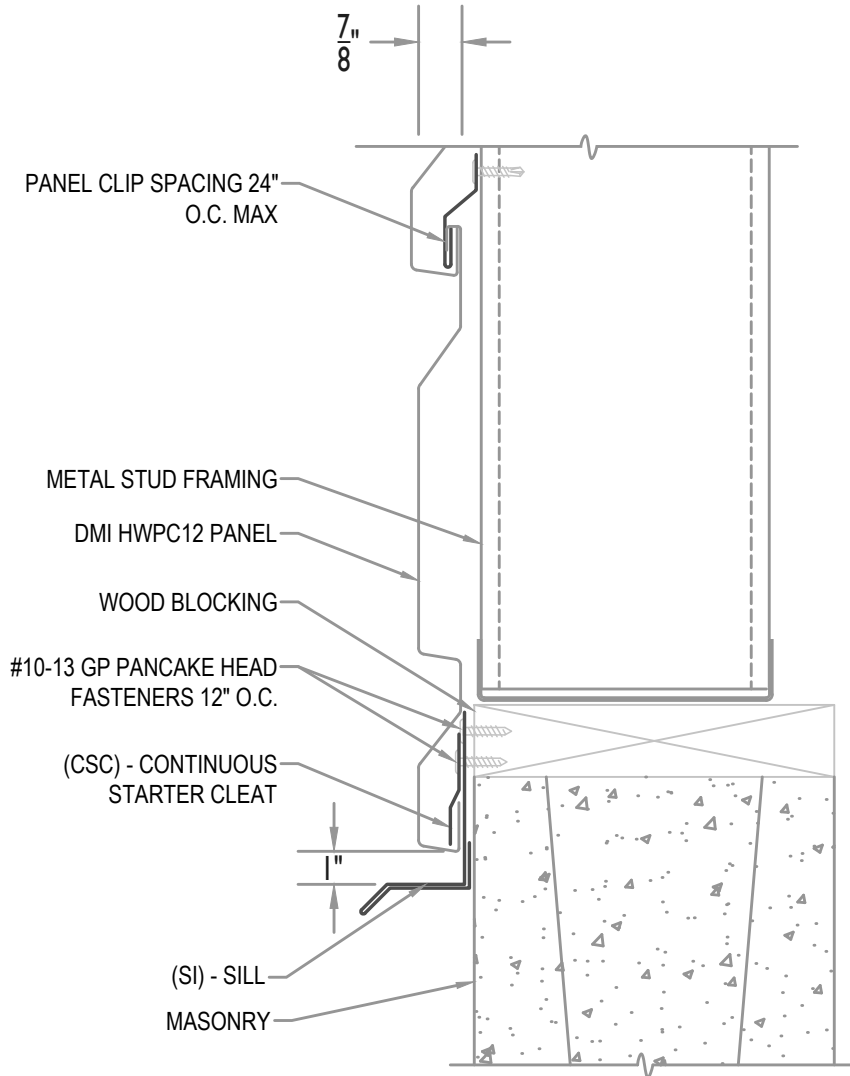
WALL PANEL W/ (PANEL SOFFIT)

Detail:  
**HWPC12-H-02-01**

• **PROVEN** • **DEPENDABLE** • **SUSTAINABLE** •  
**METAL ENVELOPE SYSTEMS SINCE 1988**  
WWW.DMIMETALS.COM

Issue/Rev Date: **04/19** Scale: **3"=1'-0"**

MAXIMUM PANEL ATTACHMENT FASTENER SPACING IS 24" O.C. ALL FASTENERS TO PENETRATE WOOD 3/4" MIN. AND METAL FRAMING 1/2" MIN.



WALL PANEL W/ SILL (AT BLOCK)

• **PROVEN** • **DEPENDABLE** • **SUSTAINABLE** •

**METAL ENVELOPE SYSTEMS SINCE 1988**

WWW.DMIMETALS.COM

Detail:  
HWPC12-H-02-02

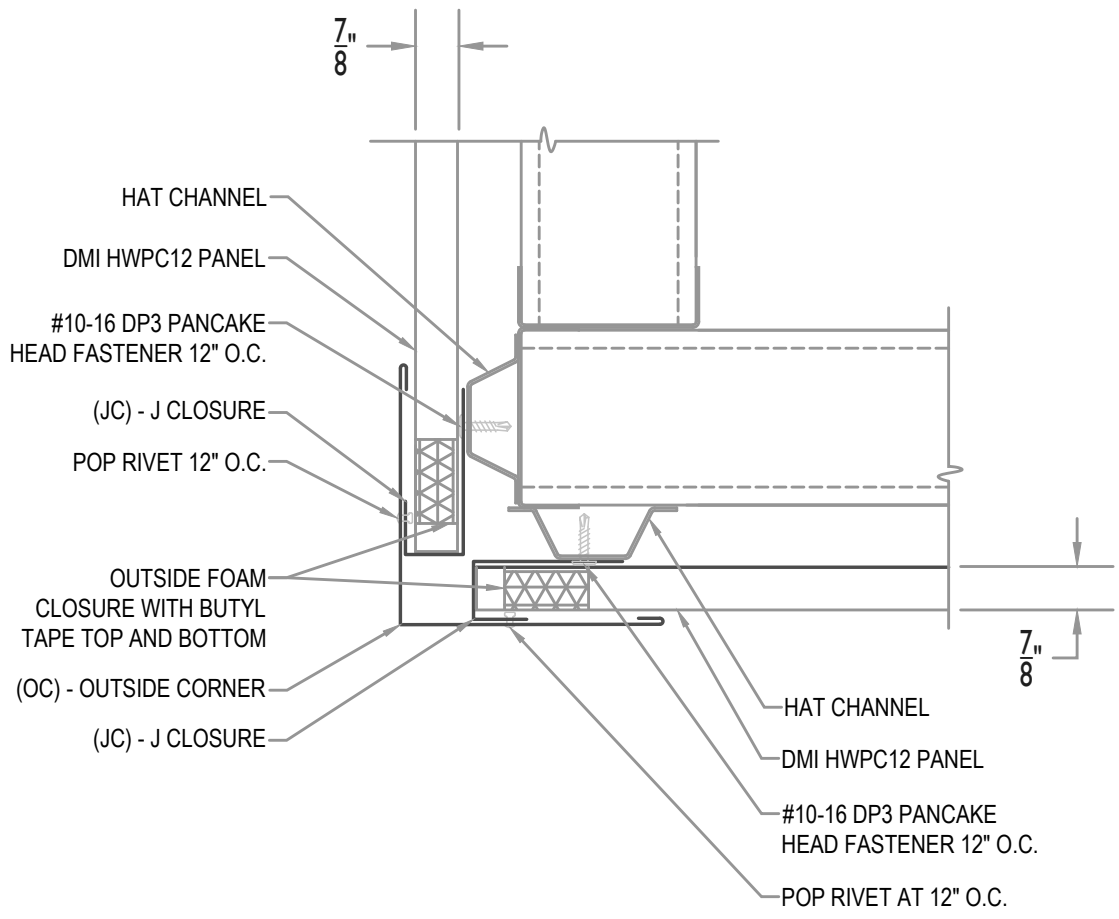
Issue/Rev Date:

04/19

Scale:

3"=1'-0"

MAXIMUM PANEL ATTACHMENT FASTENER SPACING IS 24" O.C. ALL FASTENERS TO PENETRATE WOOD 3/4" MIN. AND METAL FRAMING 1/2" MIN.



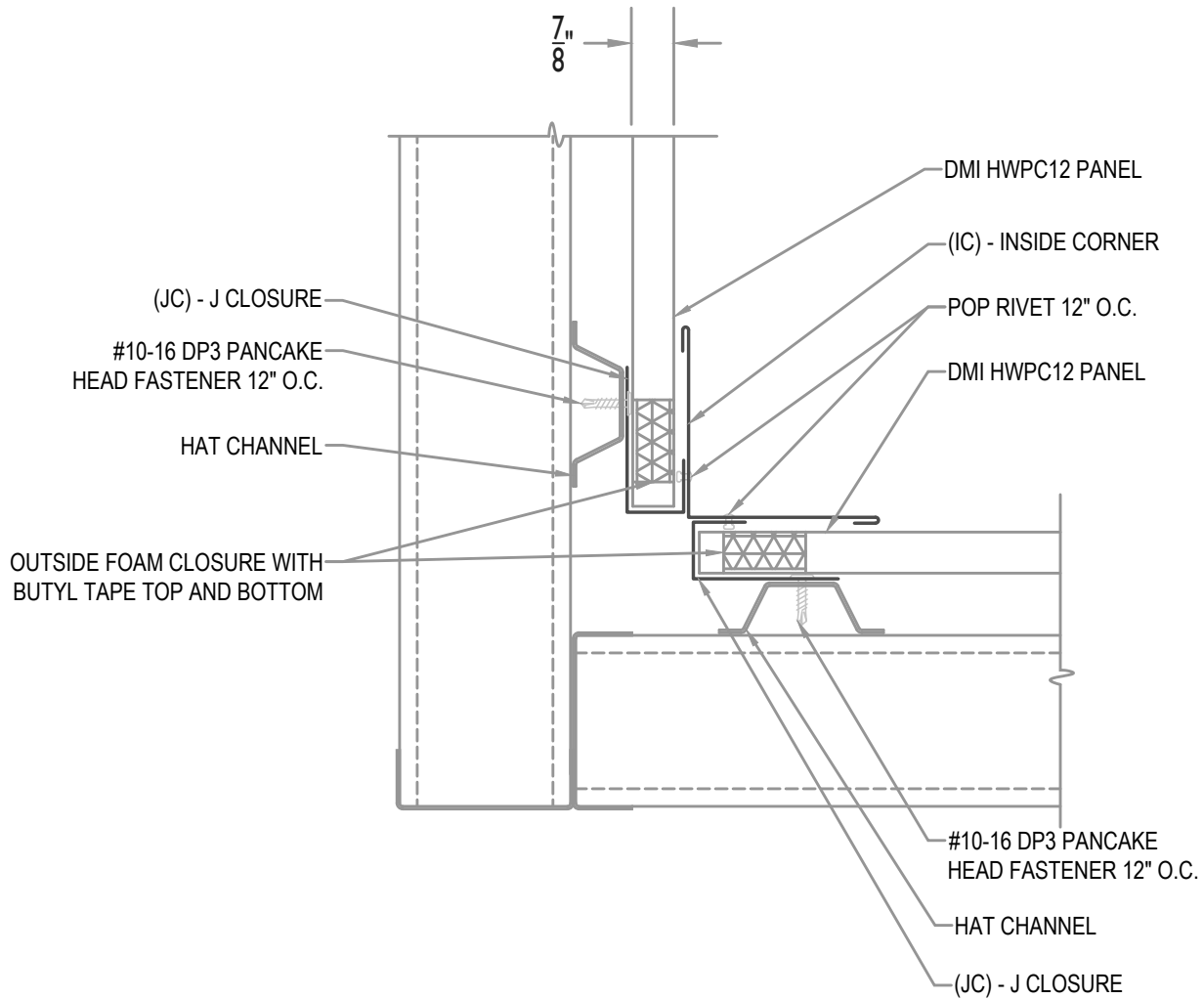
OUTSIDE CORNER

• PROVEN • DEPENDABLE • SUSTAINABLE •  
 METAL ENVELOPE SYSTEMS SINCE 1988  
 WWW.DMIMETALS.COM

Detail:  
 HWPC12-H-03-00

Issue/Rev Date: 04/19  
 Scale: 3"=1'-0"

MAXIMUM PANEL ATTACHMENT FASTENER SPACING IS 24" O.C. ALL FASTENERS TO PENETRATE WOOD 3/4" MIN. AND METAL FRAMING 1/2" MIN.



INSIDE CORNER

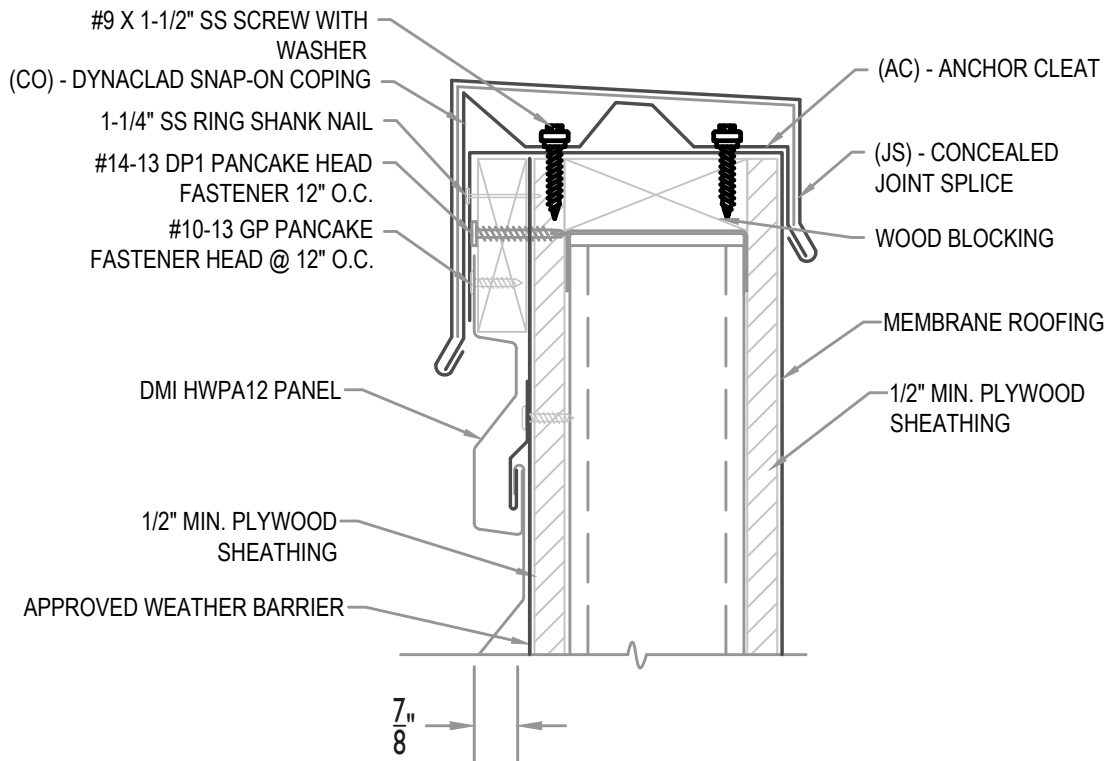
• **PROVEN** • **DEPENDABLE** • **SUSTAINABLE** •  
**METAL ENVELOPE SYSTEMS SINCE 1988**  
[WWW.DMIMETALS.COM](http://WWW.DMIMETALS.COM)

Detail:  
**HWPC12-H-03-01**

Issue/Rev Date:  
**04/19**

Scale:  
**3"=1'-0"**

SEE DMI DYNACLAD EDGE INSTALLATION GUIDE FOR COMPLETE FASTENING AND INSTALLATION INFORMATION FOR ES-1 RATED SNAP-ON COPING



MAXIMUM PANEL ATTACHMENT FASTENER SPACING IS 24" O.C. ALL FASTENERS TO PENETRATE WOOD 3/4" MIN. AND METAL FRAMING 1/2" MIN.



COPING WITH WOOD SUBSTRATE

• **PROVEN** • **DEPENDABLE** • **SUSTAINABLE** •

**METAL ENVELOPE SYSTEMS SINCE 1988**

WWW.DMIMETALS.COM

Detail:

HWPC12-H-04-00

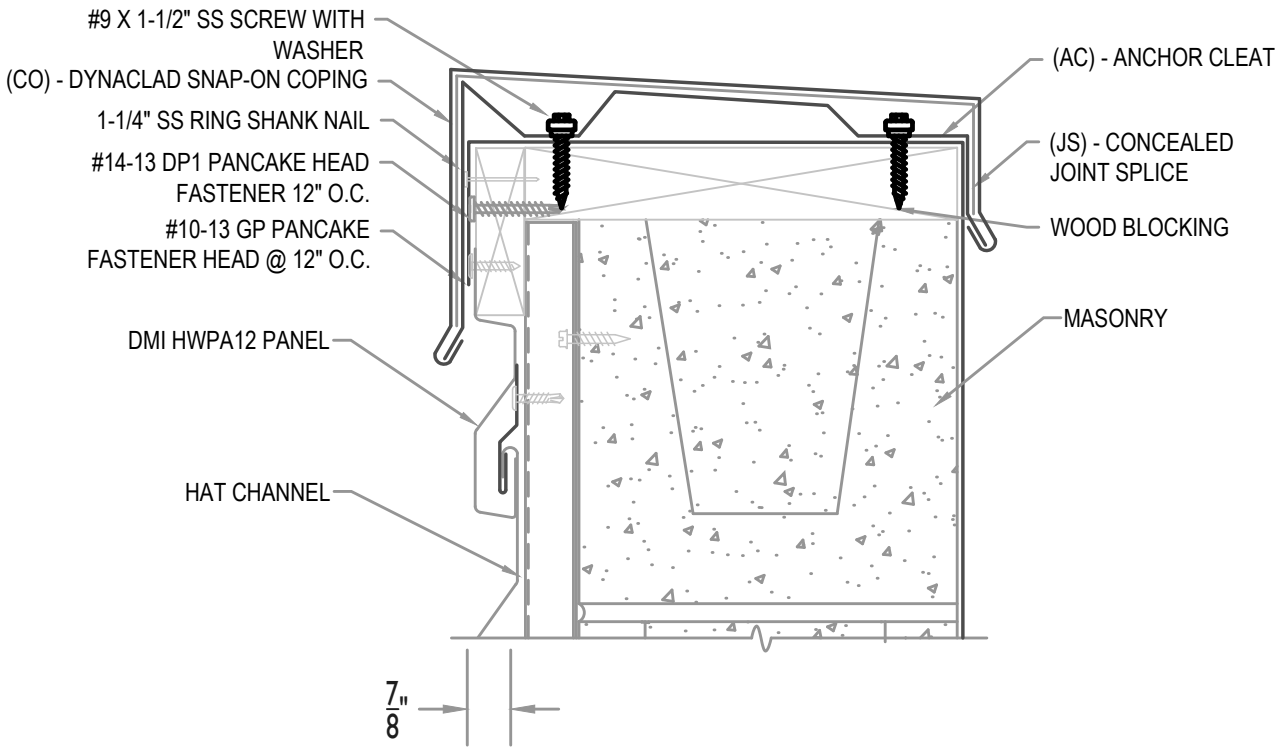
Issue/Rev Date:

04/19

Scale:

3"=1'-0"

SEE DMI DYNACLAD EDGE INSTALLATION GUIDE FOR COMPLETE FASTENING AND INSTALLATION INFORMATION FOR ES-1 RATED SNAP-ON COPING



MAXIMUM PANEL ATTACHMENT FASTENER SPACING IS 24" O.C. ALL FASTENERS TO PENETRATE WOOD 3/4" MIN. AND METAL FRAMING 1/2" MIN.



COPING WITH HAT CHANNEL

• PROVEN • DEPENDABLE • SUSTAINABLE •

METAL ENVELOPE SYSTEMS SINCE 1988

WWW.DMIMETALS.COM

Detail:  
HWPC12-H-04-01

Issue/Rev Date:

04/19

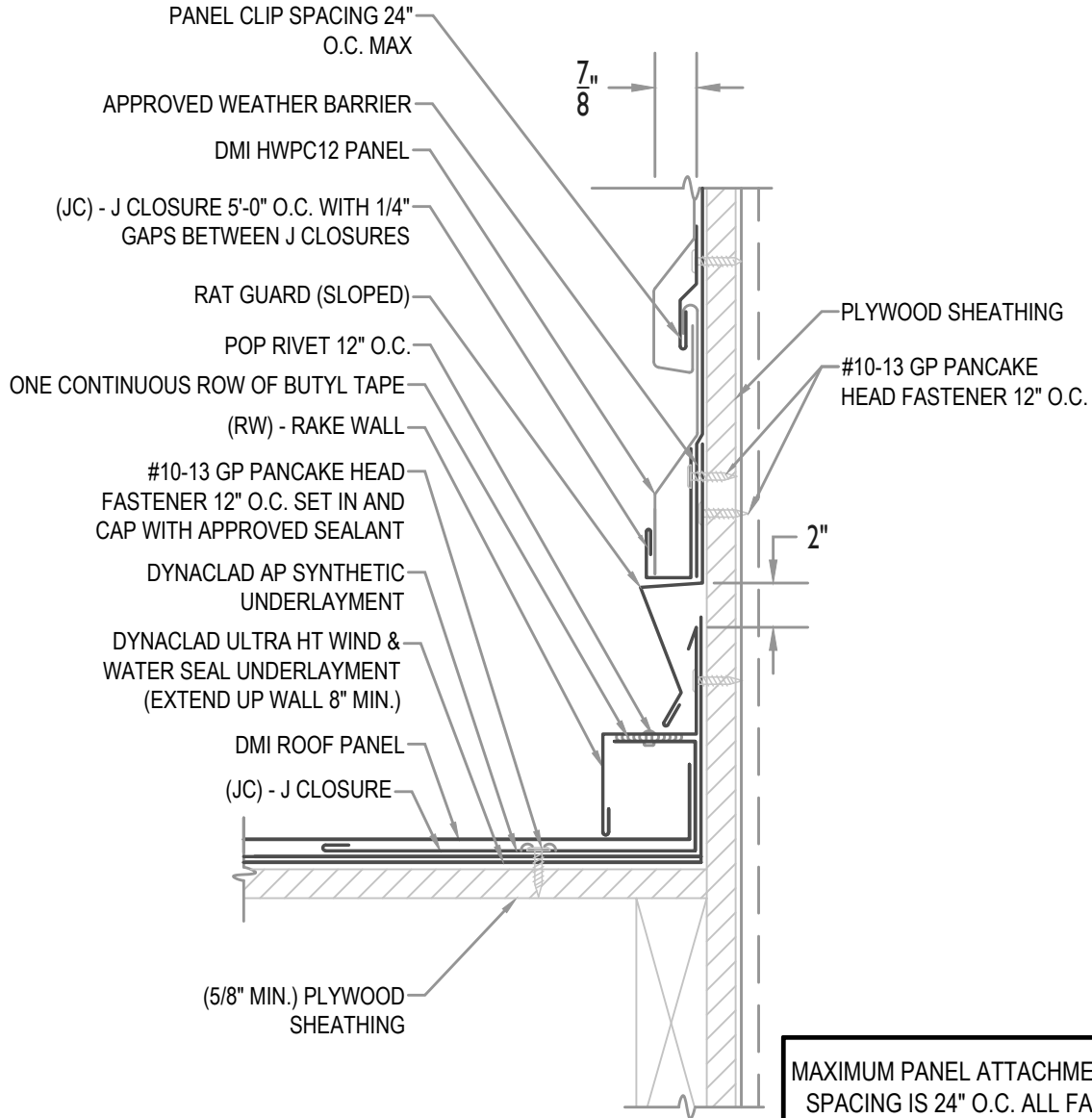
Scale:

3"=1'-0"



**FLASHING LAP NOTE**

LAP (RW) - RAKE WALL AND RAT GUARD (SLOPED) 2" MINIMUM WITH 2 ROWS OF BUTYL SEALANT.



MAXIMUM PANEL ATTACHMENT FASTENER SPACING IS 24" O.C. ALL FASTENERS TO PENETRATE WOOD 3/4" MIN. AND METAL FRAMING 1/2" MIN.



**RAKE WALL**

• **PROVEN** • **DEPENDABLE** • **SUSTAINABLE** •

**METAL ENVELOPE SYSTEMS SINCE 1988**

WWW.DMIMETALS.COM

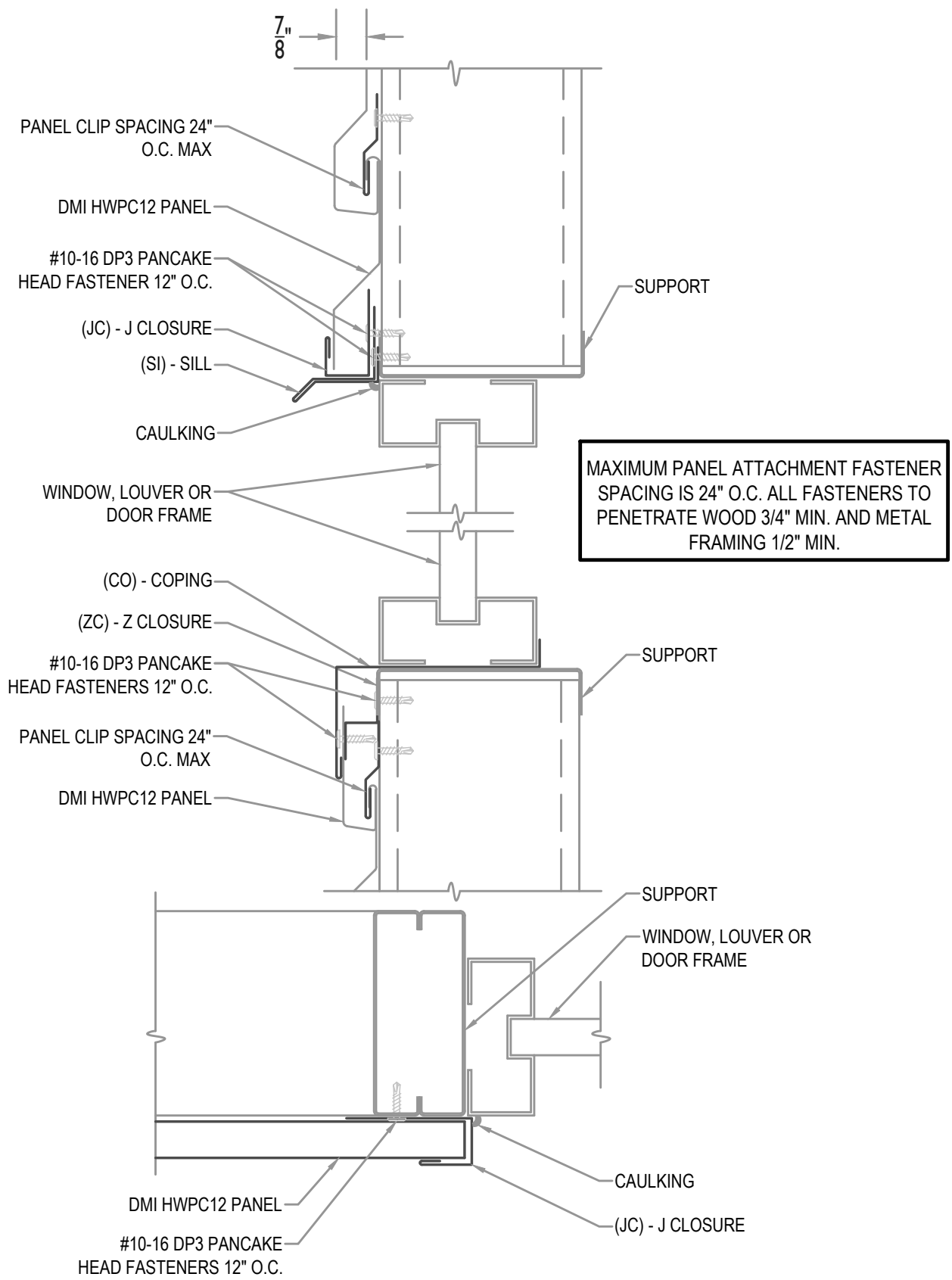
Detail:  
**HWPC12-H-05-00**

Issue/Rev Date:

**04/19**

Scale:

**3"=1'-0"**



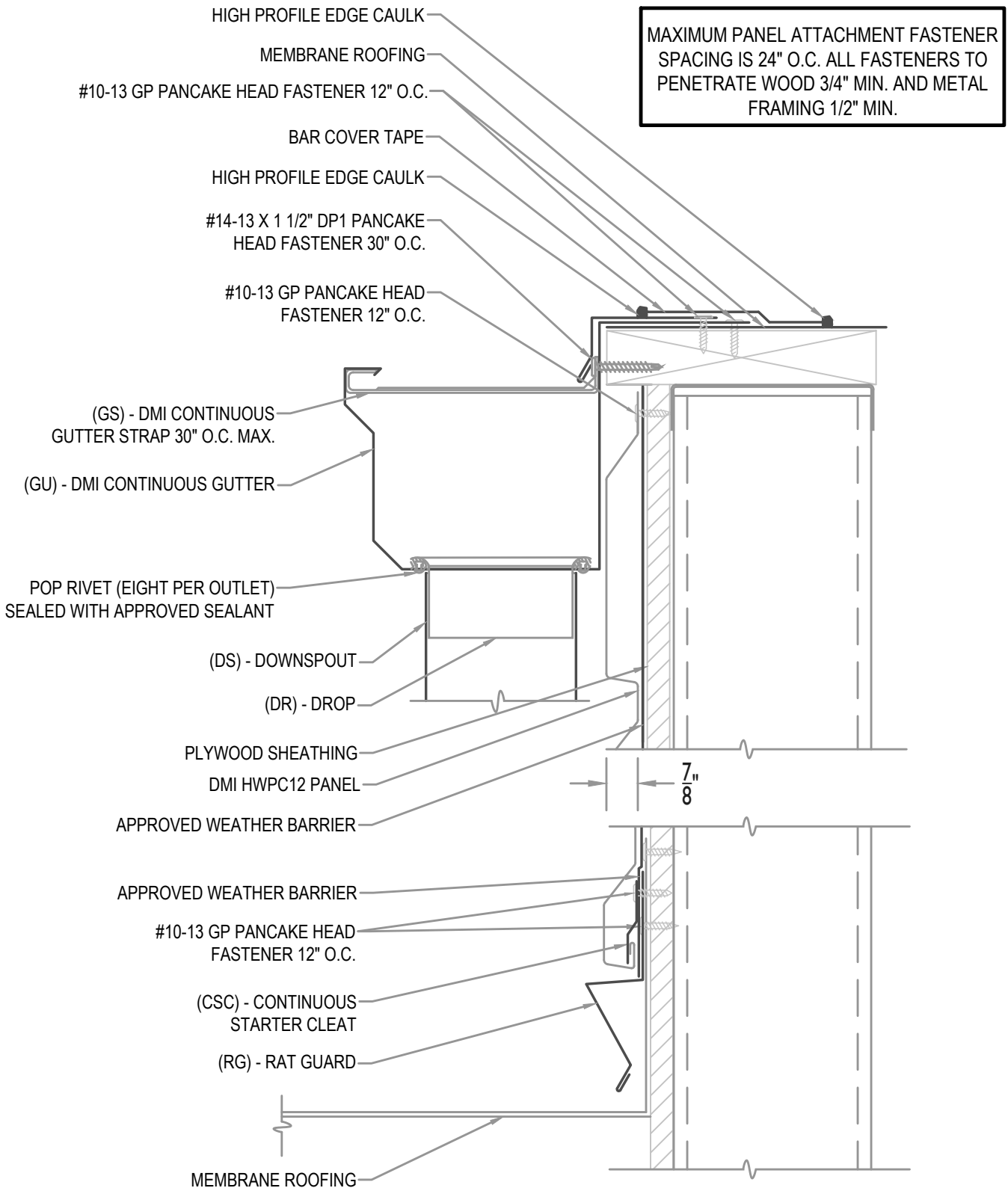
MAXIMUM PANEL ATTACHMENT FASTENER SPACING IS 24" O.C. ALL FASTENERS TO PENETRATE WOOD 3/4" MIN. AND METAL FRAMING 1/2" MIN.



OPENING HEAD, SILL AND JAMB

• **PROVEN** • **DEPENDABLE** • **SUSTAINABLE** •  
**METAL ENVELOPE SYSTEMS SINCE 1988**  
 WWW.DMIMETALS.COM

Detail:  
**HWPC12-H-06-00**  
 Issue/Rev Date: **04/19** Scale: **3"=1'-0"**



WALL SECTION AT MEMBRANE ROOF

• PROVEN • DEPENDABLE • SUSTAINABLE •

METAL ENVELOPE SYSTEMS SINCE 1988

WWW.DMIMETALS.COM

Detail:  
HWPC12-H-07-00

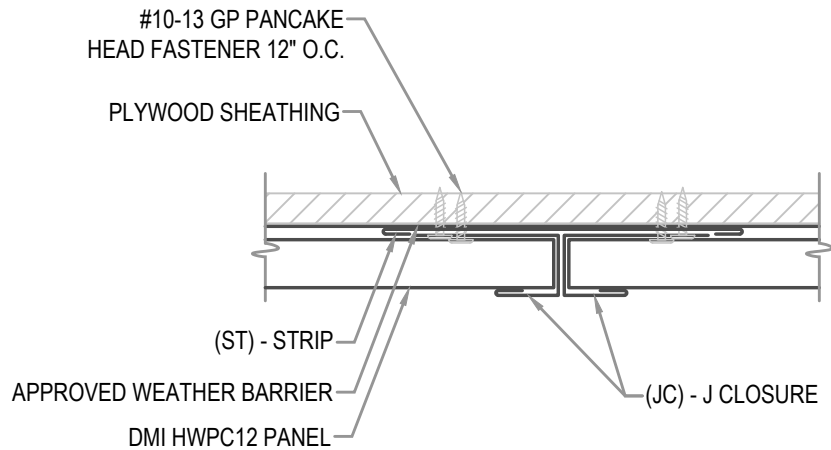
Issue/Rev Date:

04/19

Scale:

3"=1'-0"

MAXIMUM PANEL ATTACHMENT FASTENER SPACING IS 24" O.C. ALL FASTENERS TO PENETRATE WOOD 3/4" MIN. AND METAL FRAMING 1/2" MIN.



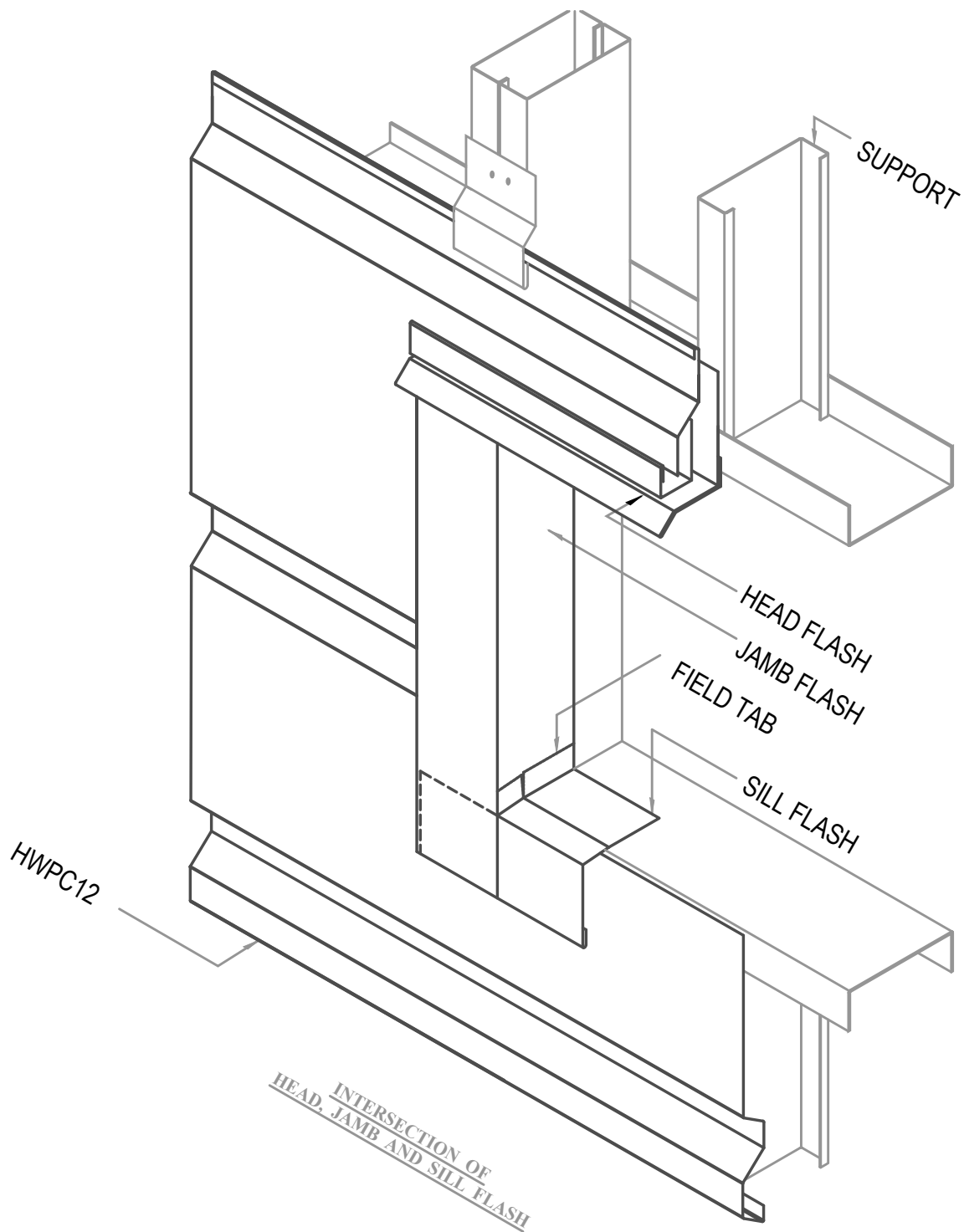
PANEL LAP

• **PROVEN** • **DEPENDABLE** • **SUSTAINABLE** •  
**METAL ENVELOPE SYSTEMS SINCE 1988**  
[WWW.DMIMETALS.COM](http://WWW.DMIMETALS.COM)

Detail:  
**HWPC12-H-08-00**

Issue/Rev Date:  
**04/19**

Scale:  
**3"=1'-0"**



ISO HEAD, SILL AND JAMB

• **PROVEN** • **DEPENDABLE** • **SUSTAINABLE** •

**METAL ENVELOPE SYSTEMS SINCE 1988**

WWW.DMIMETALS.COM

Detail:

HWPC12-H-09-00

Issue/Rev Date:

04/19

Scale:

3"=1'-0"