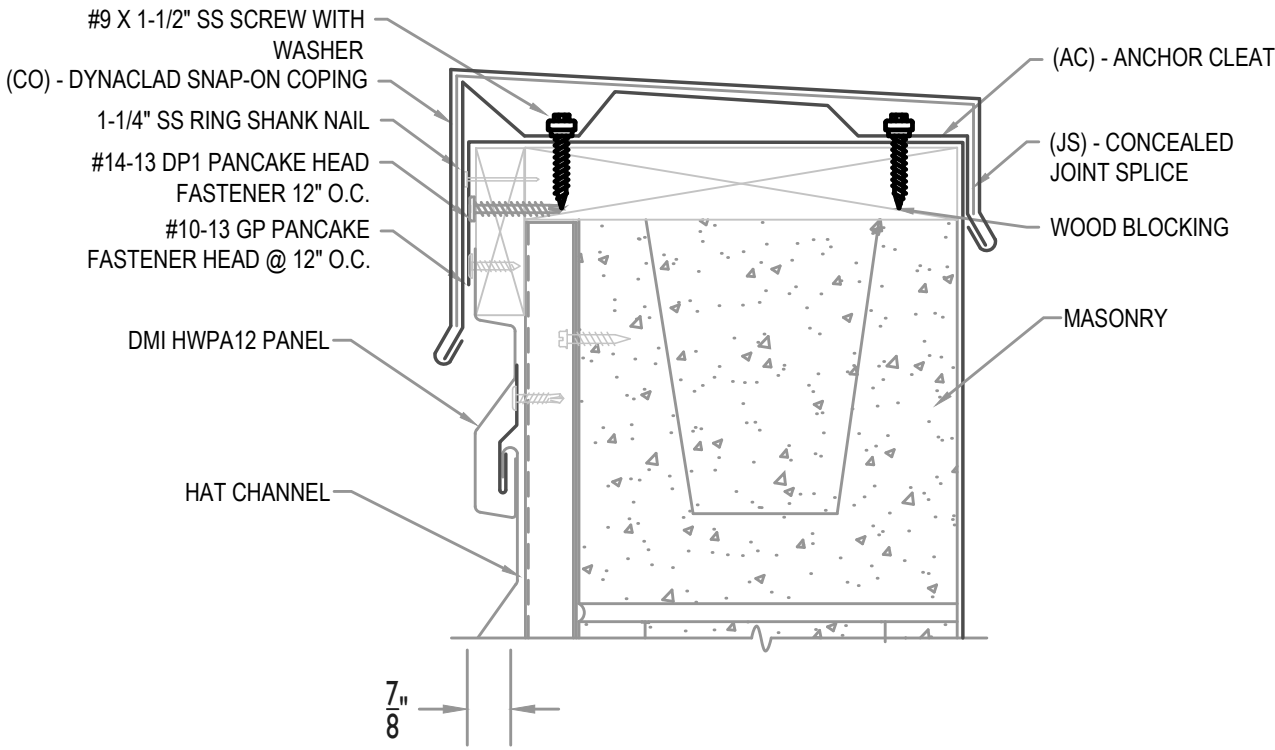


SEE DMI DYNACLAD EDGE INSTALLATION GUIDE FOR COMPLETE FASTENING AND INSTALLATION INFORMATION FOR ES-1 RATED SNAP-ON COPING



MAXIMUM PANEL ATTACHMENT FASTENER SPACING IS 24" O.C. ALL FASTENERS TO PENETRATE WOOD 3/4" MIN. AND METAL FRAMING 1/2" MIN.



COPING WITH HAT CHANNEL

• **PROVEN** • **DEPENDABLE** • **SUSTAINABLE** •  
**METAL ENVELOPE SYSTEMS SINCE 1988**  
[WWW.DMIMETALS.COM](http://WWW.DMIMETALS.COM)

Detail:  
**HWPC12-H-04-01**  
 Issue/Rev Date: **04/19** Scale: **3"=1'-0"**