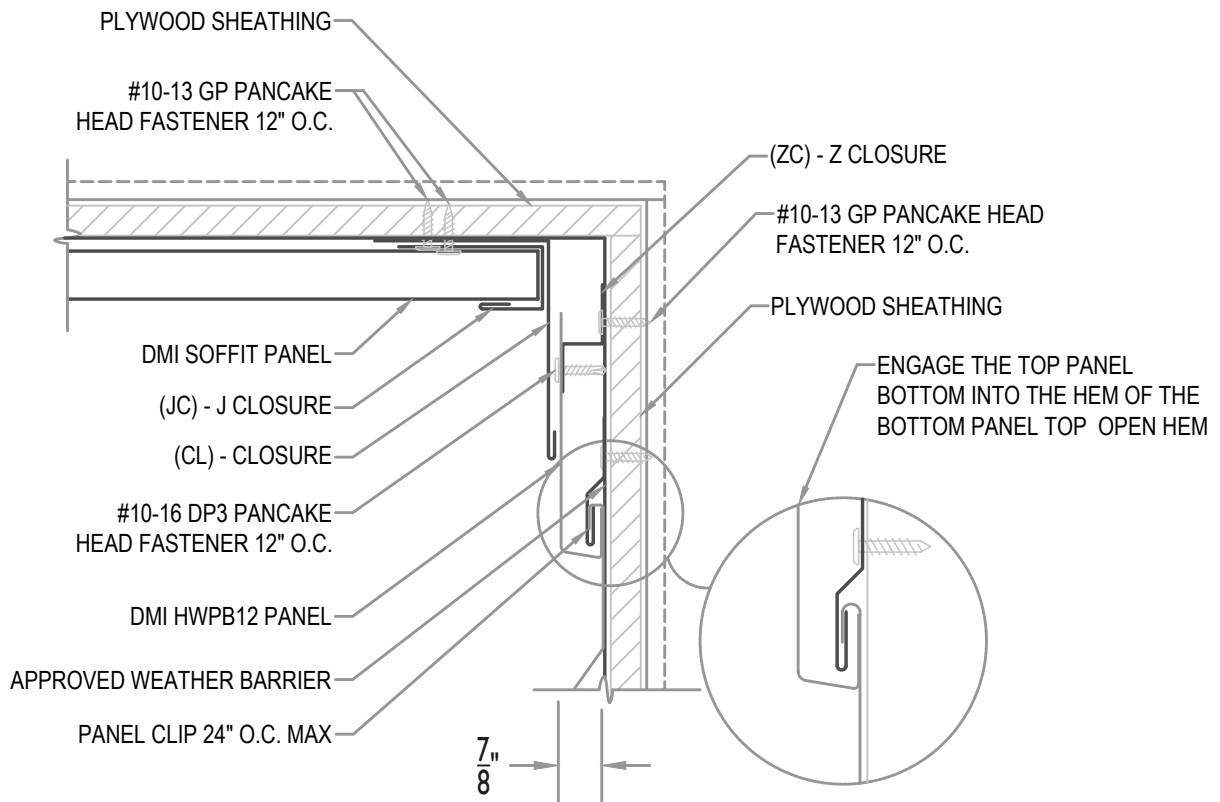


MAXIMUM PANEL ATTACHMENT FASTENER SPACING IS 24" O.C. ALL FASTENERS TO PENETRATE WOOD 3/4" MIN. AND METAL FRAMING 1/2" MIN.



**SOFFIT TO WALL PANEL**

Detail:  
**HWPB12-H- 01-00**

**• PROVEN • DEPENDABLE • SUSTAINABLE •**

Issue/Rev Date:

Scale:

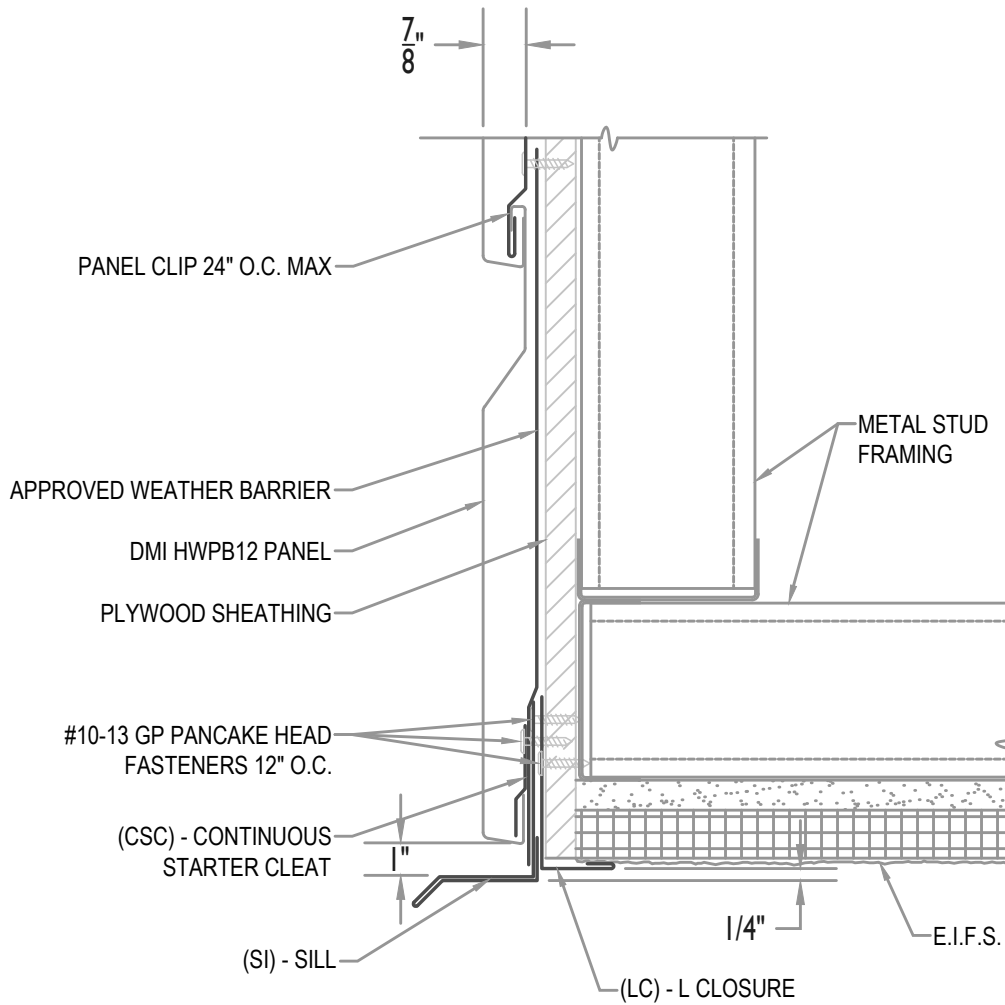
**METAL ENVELOPE SYSTEMS SINCE 1988**

**04/19**

**3"=1'-0"**

[WWW.DMIMETALS.COM](http://WWW.DMIMETALS.COM)

MAXIMUM PANEL ATTACHMENT FASTENER SPACING IS 24" O.C. ALL FASTENERS TO PENETRATE WOOD 3/4" MIN. AND METAL FRAMING 1/2" MIN.



WALL PANEL W/ (EIFS SOFFIT)

• PROVEN • DEPENDABLE • SUSTAINABLE •

METAL ENVELOPE SYSTEMS SINCE 1988

WWW.DMIMETALS.COM

Detail:

HWPB12-H- 02-00

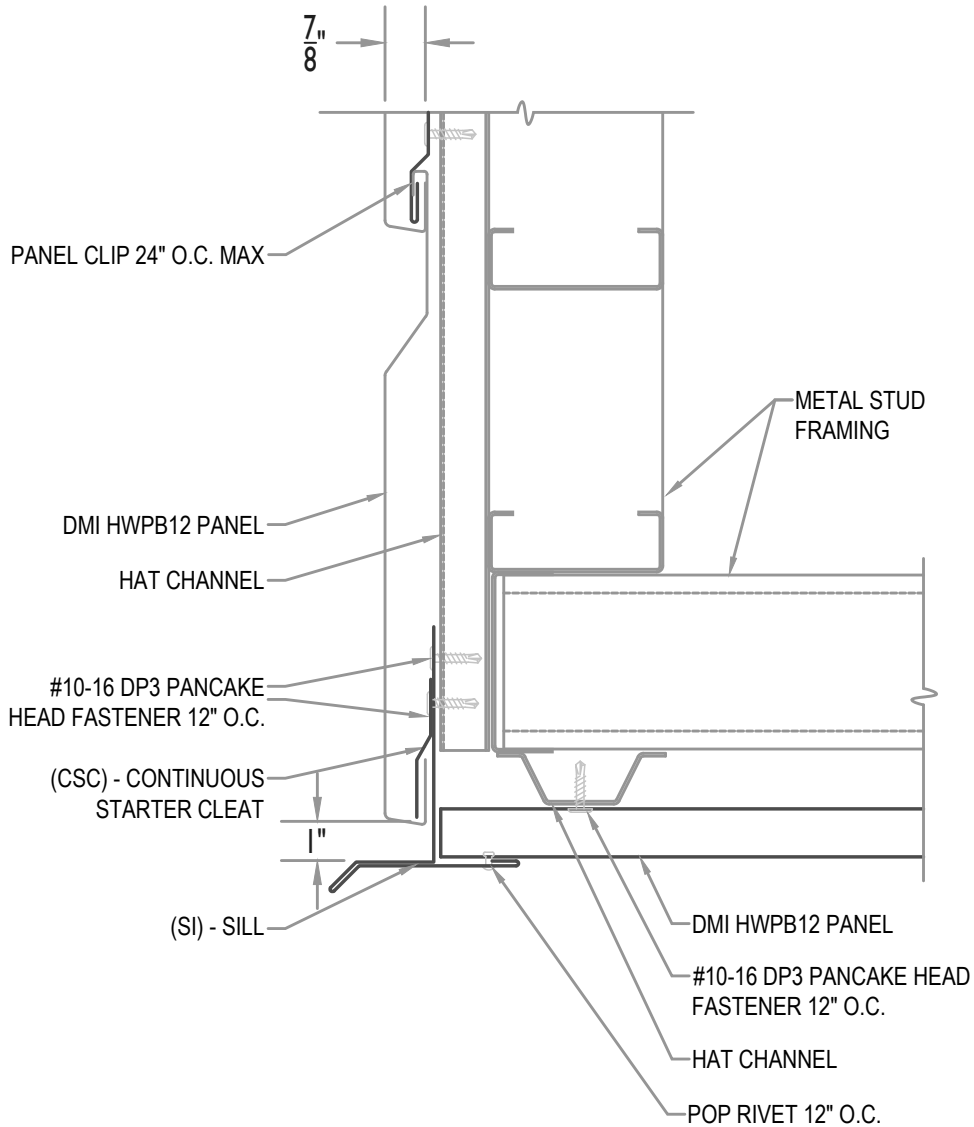
Issue/Rev Date:

04/19

Scale:

3"=1'-0"

MAXIMUM PANEL ATTACHMENT FASTENER SPACING IS 24" O.C. ALL FASTENERS TO PENETRATE WOOD 3/4" MIN. AND METAL FRAMING 1/2" MIN.



WALL PANEL W/ (PANEL SOFFIT)

• **PROVEN** • **DEPENDABLE** • **SUSTAINABLE** •

**METAL ENVELOPE SYSTEMS SINCE 1988**

WWW.DMIMETALS.COM

Detail:

**HWPB12-H-02-01**

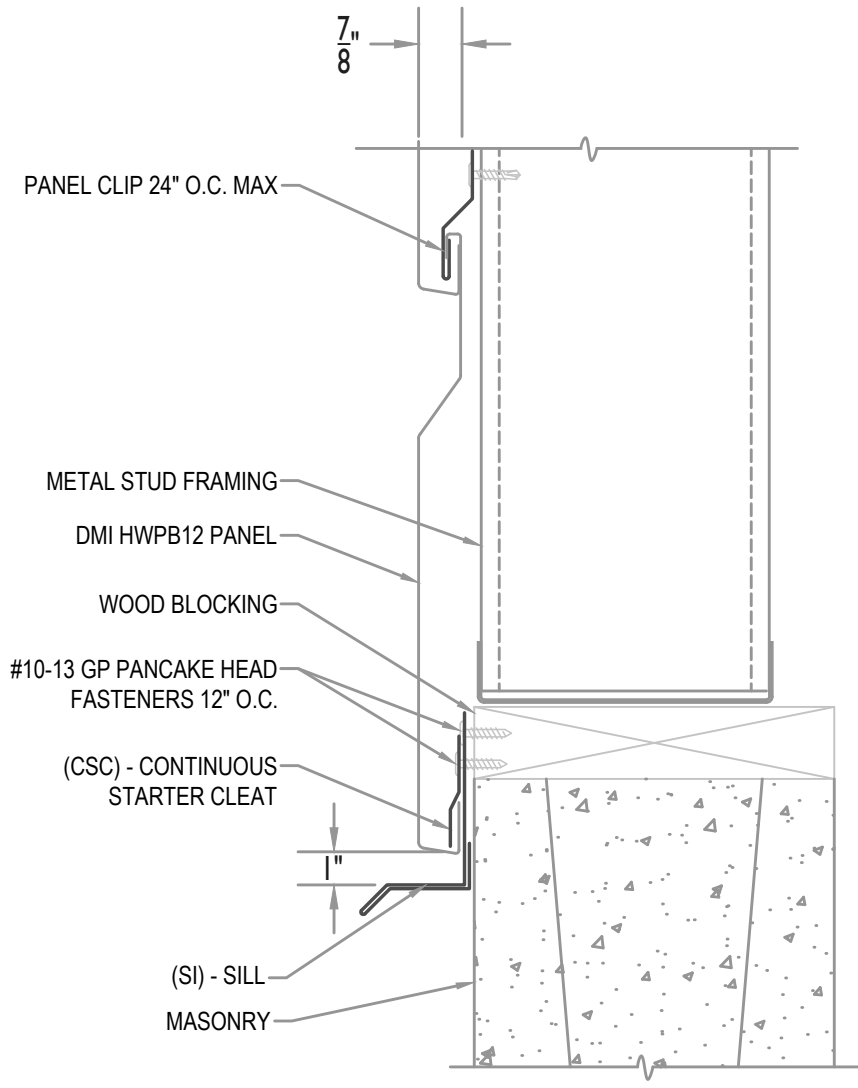
Issue/Rev Date:

04/19

Scale:

3"=1'-0"

MAXIMUM PANEL ATTACHMENT FASTENER SPACING IS 24" O.C. ALL FASTENERS TO PENETRATE WOOD 3/4" MIN. AND METAL FRAMING 1/2" MIN.

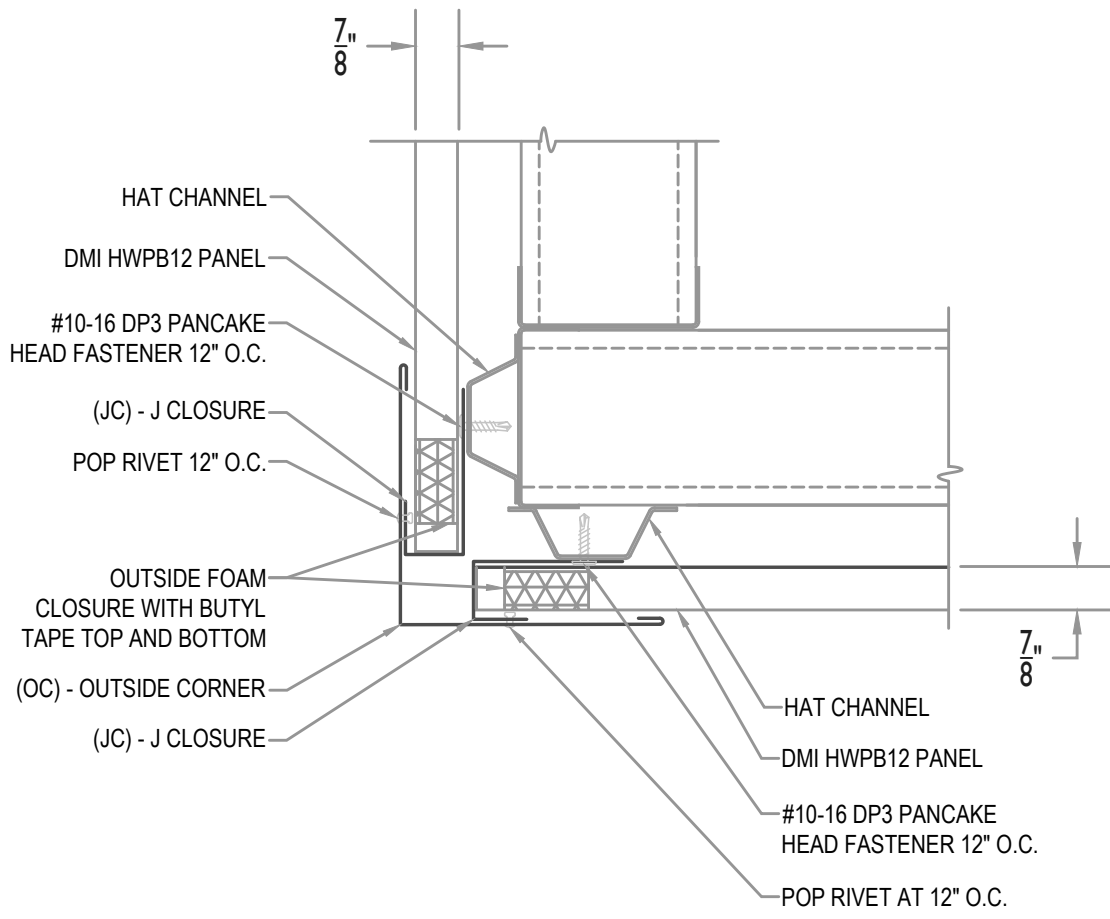


WALL PANEL W/ SILL (AT BLOCK)

• **PROVEN** • **DEPENDABLE** • **SUSTAINABLE** •  
**METAL ENVELOPE SYSTEMS SINCE 1988**  
[WWW.DMIMETALS.COM](http://WWW.DMIMETALS.COM)

Detail: <b>HWPB12-H-02-02</b>	
Issue/Rev Date: <b>04/19</b>	Scale: <b>3"=1'-0"</b>

MAXIMUM PANEL ATTACHMENT FASTENER SPACING IS 24" O.C. ALL FASTENERS TO PENETRATE WOOD 3/4" MIN. AND METAL FRAMING 1/2" MIN.



OUTSIDE CORNER

• PROVEN • DEPENDABLE • SUSTAINABLE •

METAL ENVELOPE SYSTEMS SINCE 1988

WWW.DMIMETALS.COM

Detail:

HWPB12-H-03-00

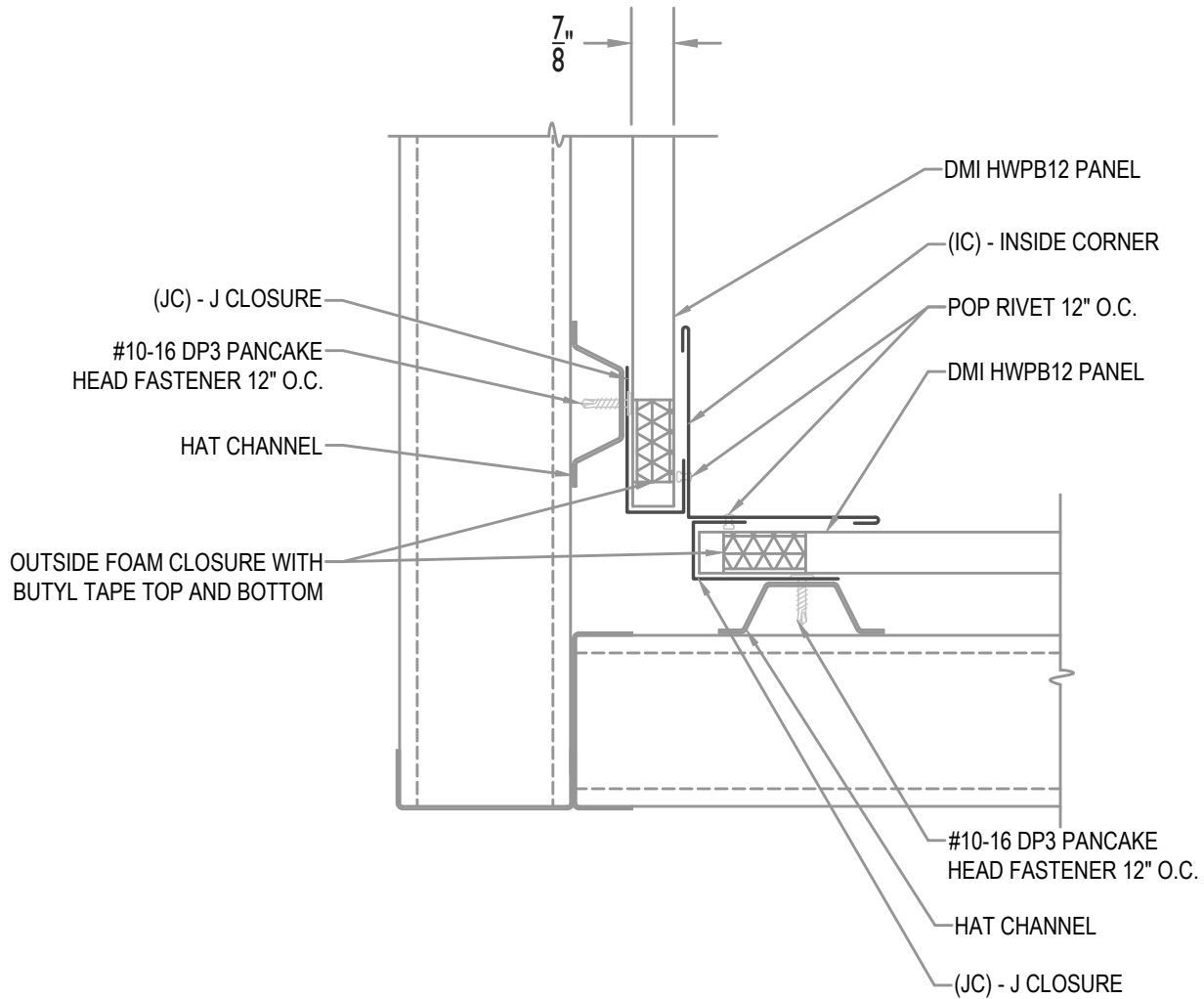
Issue/Rev Date:

04/19

Scale:

3"=1'-0"

MAXIMUM PANEL ATTACHMENT FASTENER SPACING IS 24" O.C. ALL FASTENERS TO PENETRATE WOOD 3/4" MIN. AND METAL FRAMING 1/2" MIN.



INSIDE CORNER

• **PROVEN** • **DEPENDABLE** • **SUSTAINABLE** •  
**METAL ENVELOPE SYSTEMS SINCE 1988**  
[WWW.DMIMETALS.COM](http://WWW.DMIMETALS.COM)

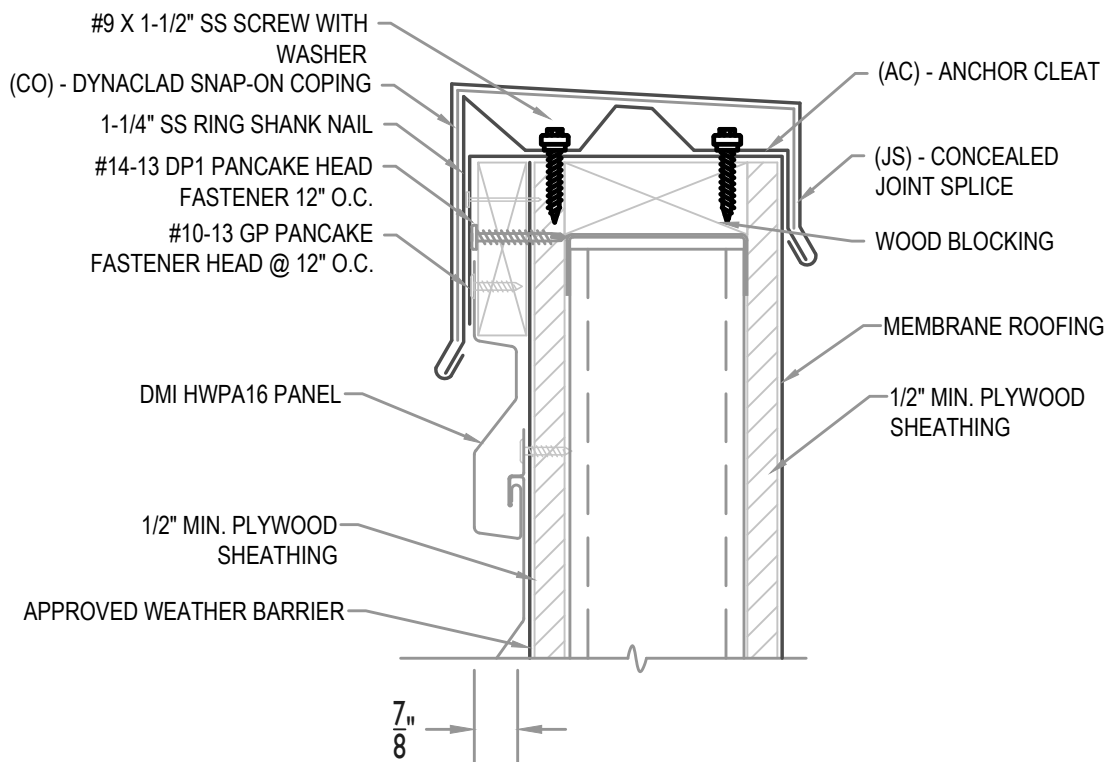
Detail:  
**HWPB12-H-03-01**

Issue/Rev Date:  
**04/19**

Scale:  
**3"=1'-0"**

MAXIMUM PANEL ATTACHMENT FASTENER SPACING IS 24" O.C. ALL FASTENERS TO PENETRATE WOOD 3/4" MIN. AND METAL FRAMING 1/2" MIN.

SEE DMI DYNACLAD EDGE INSTALLATION GUIDE FOR COMPLETE FASTENING AND INSTALLATION INFORMATION FOR ES-1 RATED SNAP-ON COPING



COPING WITH WOOD SUBSTRATE

• **PROVEN** • **DEPENDABLE** • **SUSTAINABLE** •

**METAL ENVELOPE SYSTEMS SINCE 1988**

WWW.DMIMETALS.COM

Detail:

HWPB12-H-04-00

Issue/Rev Date:

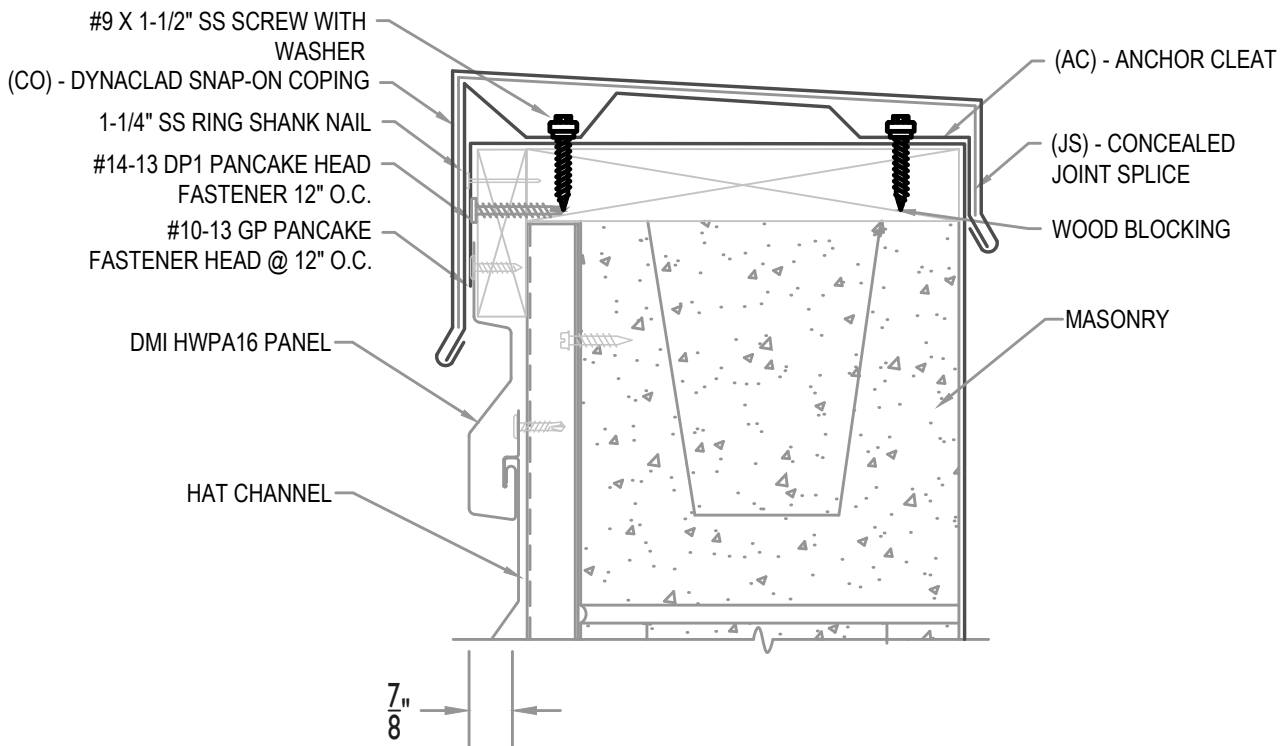
04/19

Scale:

3"=1'-0"

MAXIMUM PANEL ATTACHMENT FASTENER SPACING IS 24" O.C. ALL FASTENERS TO PENETRATE WOOD 3/4" MIN. AND METAL FRAMING 1/2" MIN.

SEE DMI DYNACLAD EDGE INSTALLATION GUIDE FOR COMPLETE FASTENING AND INSTALLATION INFORMATION FOR ES-1 RATED SNAP-ON COPING



COPING WITH HAT CHANNEL

• PROVEN • DEPENDABLE • SUSTAINABLE •

METAL ENVELOPE SYSTEMS SINCE 1988

WWW.DMIMETALS.COM

Detail:

HWPB12-H-04-01

Issue/Rev Date:

04/19

Scale:

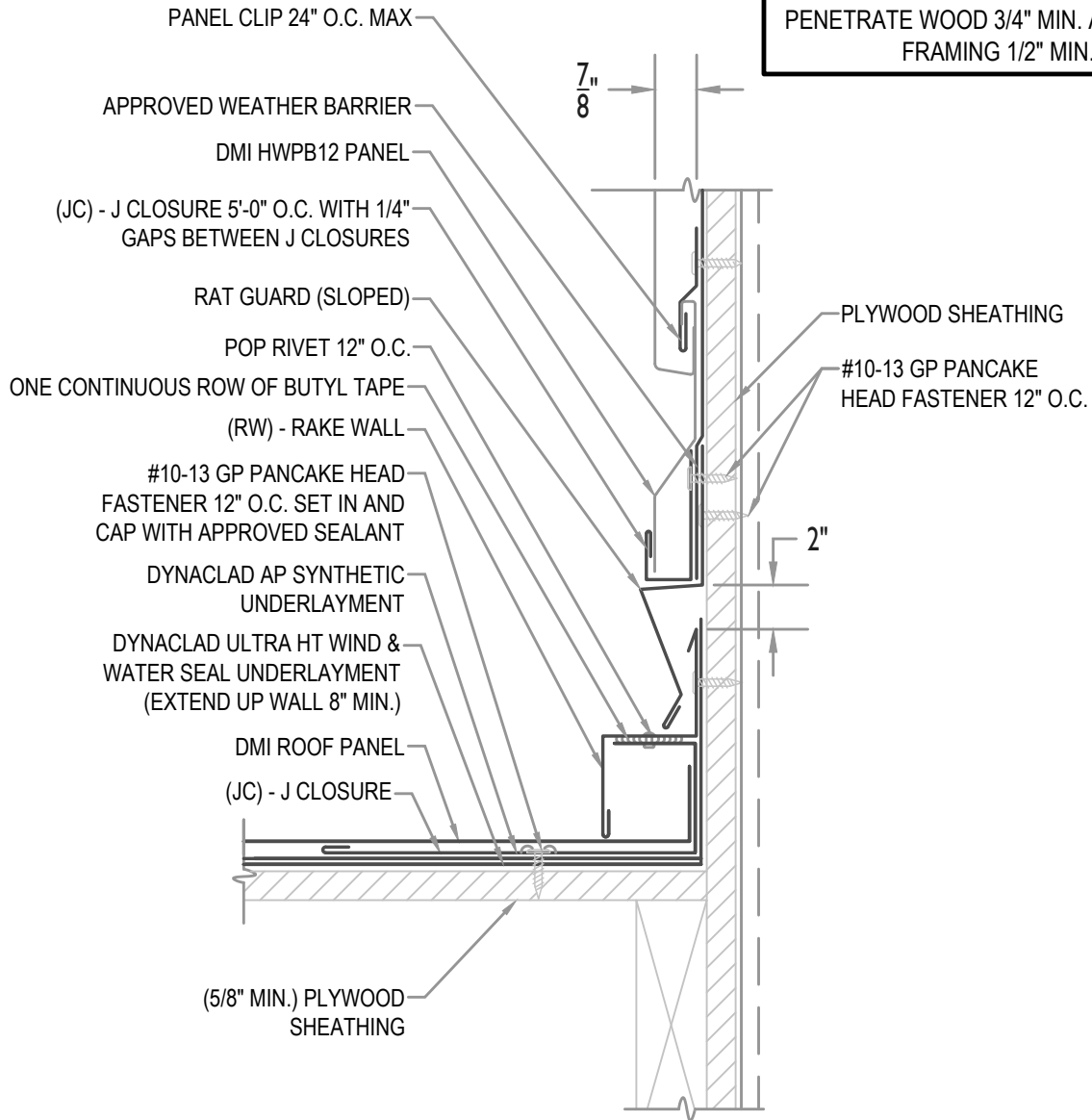
3"=1'-0"



**FLASHING LAP NOTE**

LAP (RW) - RAKE WALL AND RAT GUARD (SLOPED) 2" MINIMUM WITH 2 ROWS OF BUTYL SEALANT.

MAXIMUM PANEL ATTACHMENT FASTENER SPACING IS 24" O.C. ALL FASTENERS TO PENETRATE WOOD 3/4" MIN. AND METAL FRAMING 1/2" MIN.



**RAKE WALL**

Detail:  
**HWPB12-H-05-00**

**• PROVEN • DEPENDABLE • SUSTAINABLE •**

Issue/Rev Date:

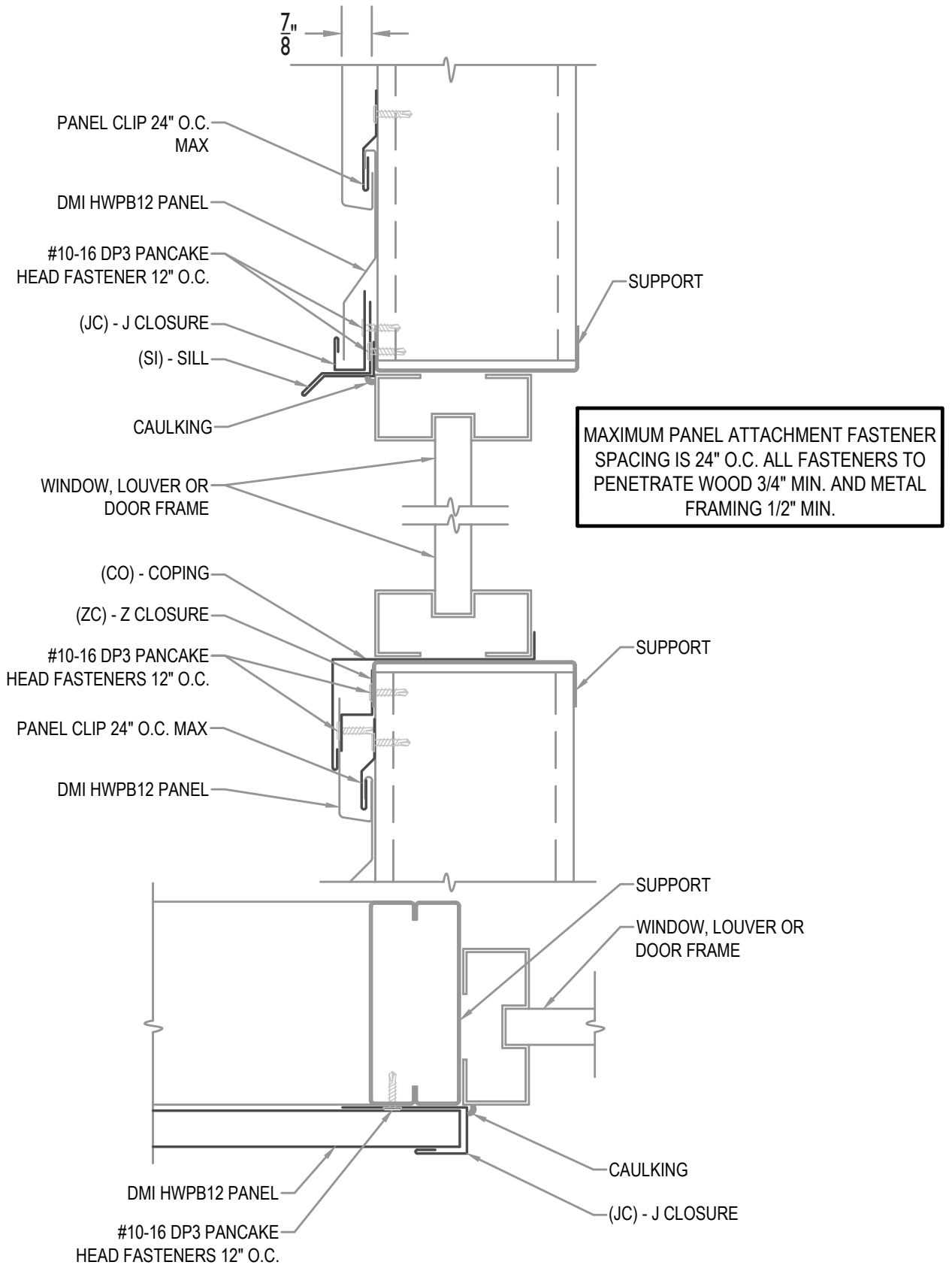
Scale:

**METAL ENVELOPE SYSTEMS SINCE 1988**

**04/19**

**3"=1'-0"**

[WWW.DMIMETALS.COM](http://WWW.DMIMETALS.COM)



**OPENING HEAD, SILL AND JAMB**

Detail:  
**HWPB12-H-06-00**

**• PROVEN • DEPENDABLE • SUSTAINABLE •**

Issue/Rev Date:

Scale:

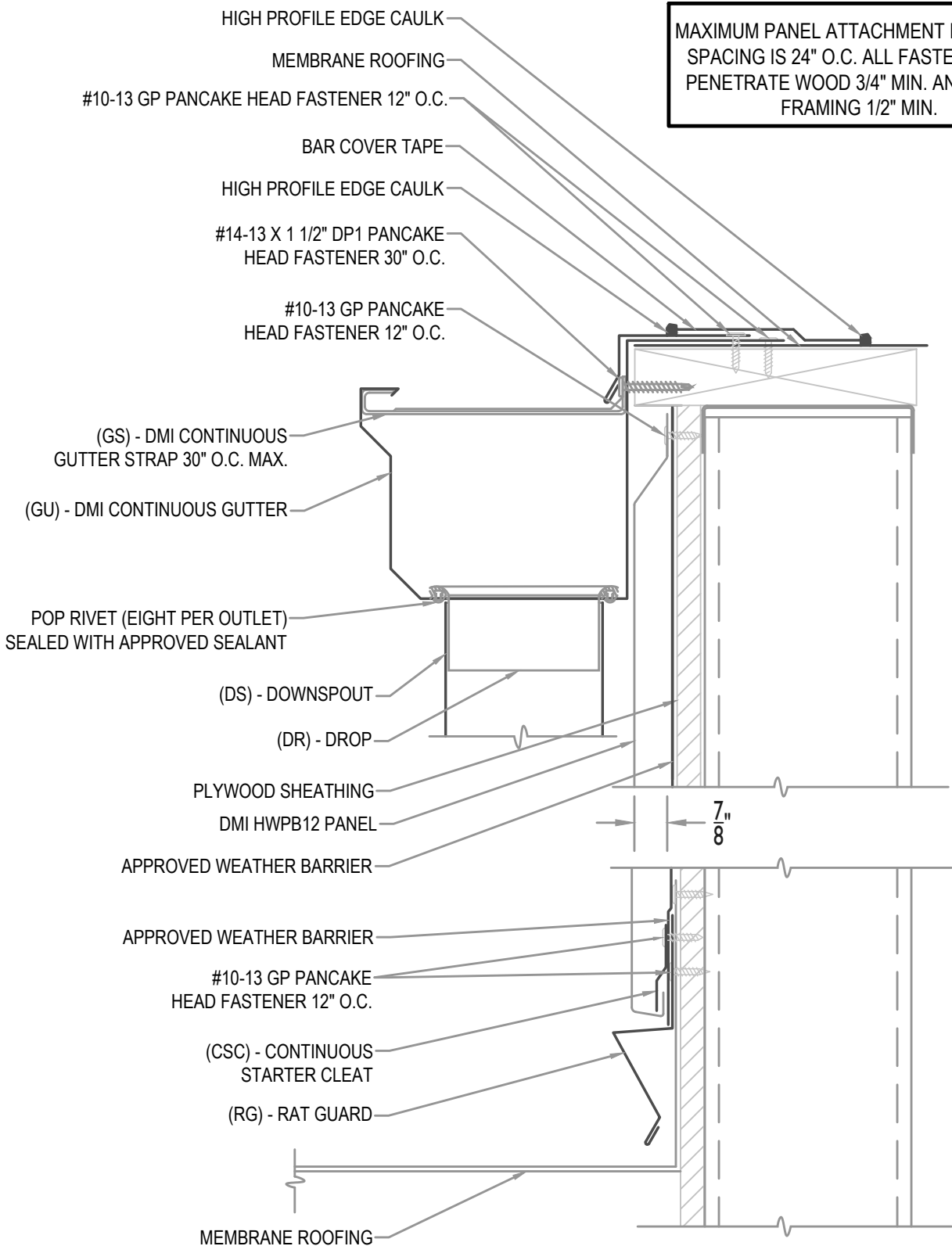
**METAL ENVELOPE SYSTEMS SINCE 1988**

**04/19**

**3"=1'-0"**

[WWW.DMIMETALS.COM](http://WWW.DMIMETALS.COM)

MAXIMUM PANEL ATTACHMENT FASTENER SPACING IS 24" O.C. ALL FASTENERS TO PENETRATE WOOD 3/4" MIN. AND METAL FRAMING 1/2" MIN.

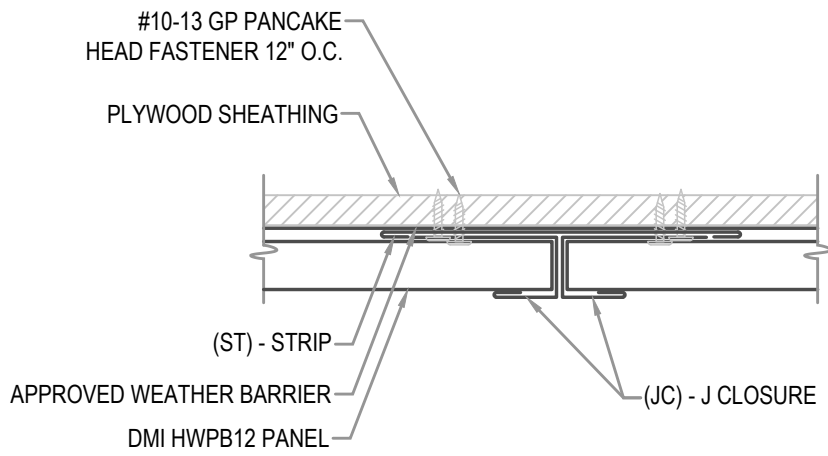


WALL SECTION AT MEMBRANE ROOF

• **PROVEN** • **DEPENDABLE** • **SUSTAINABLE** •  
**METAL ENVELOPE SYSTEMS SINCE 1988**  
[WWW.DMIMETALS.COM](http://WWW.DMIMETALS.COM)

Detail:  
**HWPB12-H-07-00**  
 Issue/Rev Date: **04/19** Scale: **3"=1'-0"**

MAXIMUM PANEL ATTACHMENT FASTENER SPACING IS 24" O.C. ALL FASTENERS TO PENETRATE WOOD 3/4" MIN. AND METAL FRAMING 1/2" MIN.

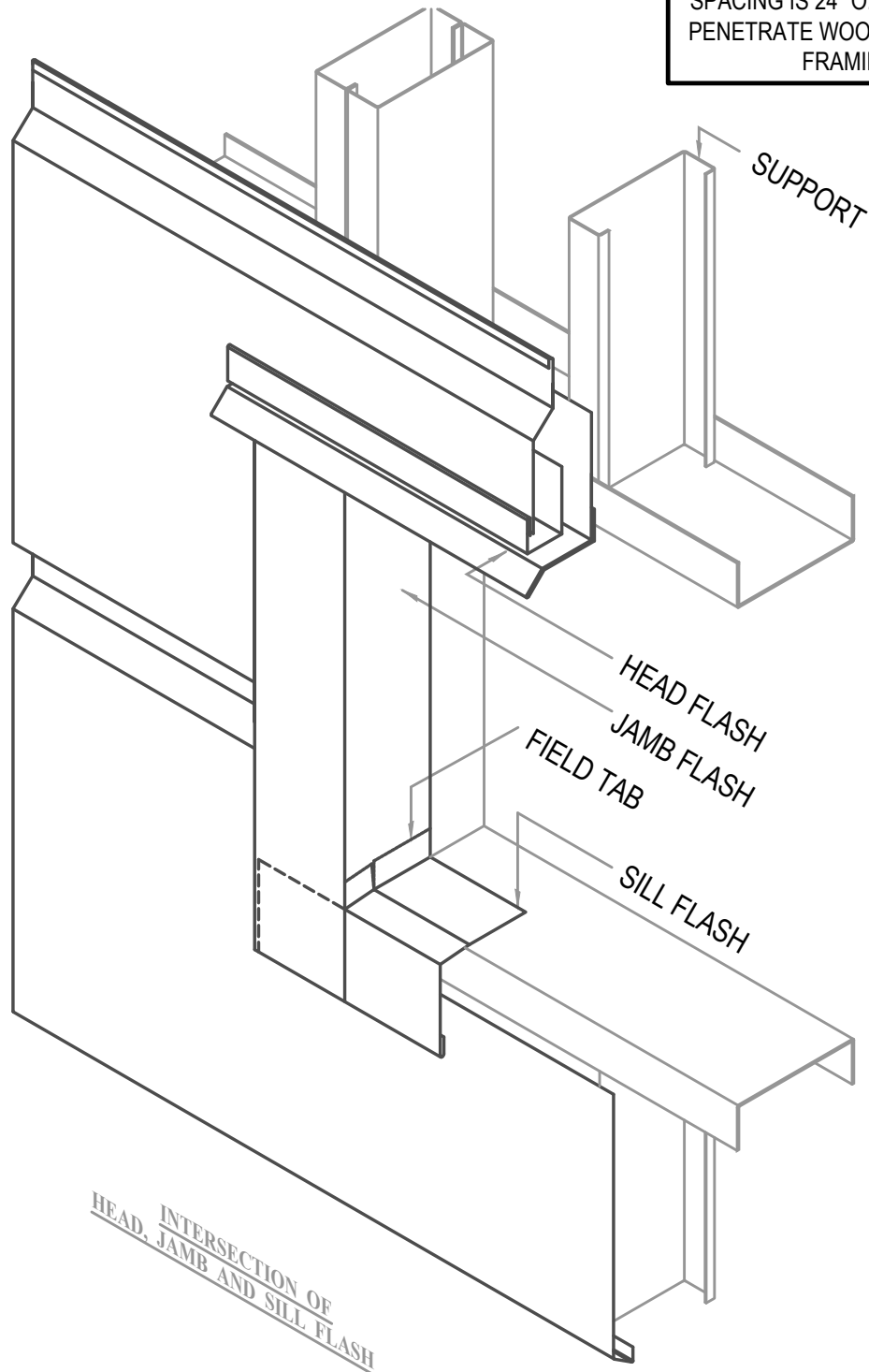


PANEL LAP

• **PROVEN** • **DEPENDABLE** • **SUSTAINABLE** •  
**METAL ENVELOPE SYSTEMS SINCE 1988**  
[WWW.DMIMETALS.COM](http://WWW.DMIMETALS.COM)

Detail:  
**HWPB12-H-08-00**  
 Issue/Rev Date: **04/19** Scale: **3"=1'-0"**

MAXIMUM PANEL ATTACHMENT FASTENER SPACING IS 24" O.C. ALL FASTENERS TO PENETRATE WOOD 3/4" MIN. AND METAL FRAMING 1/2" MIN.



ISO HEAD, SILL AND JAMB

• **PROVEN** • **DEPENDABLE** • **SUSTAINABLE** •  
**METAL ENVELOPE SYSTEMS SINCE 1988**

WWW.DMIMETALS.COM

Detail:  
**HWPB12-H-09-00**

Issue/Rev Date:

04/19

Scale:

3"=1'-0"