

MAXIMUM PANEL ATTACHMENT FASTENER SPACING IS 24" O.C. ALL FASTENERS TO PENETRATE WOOD 3/4" MIN. AND METAL FRAMING 1/2" MIN.



SOFFIT TO WALL PANEL

• **PROVEN** • **DEPENDABLE** • **SUSTAINABLE** •  
**METAL ENVELOPE SYSTEMS SINCE 1988**

WWW.DMIMETALS.COM

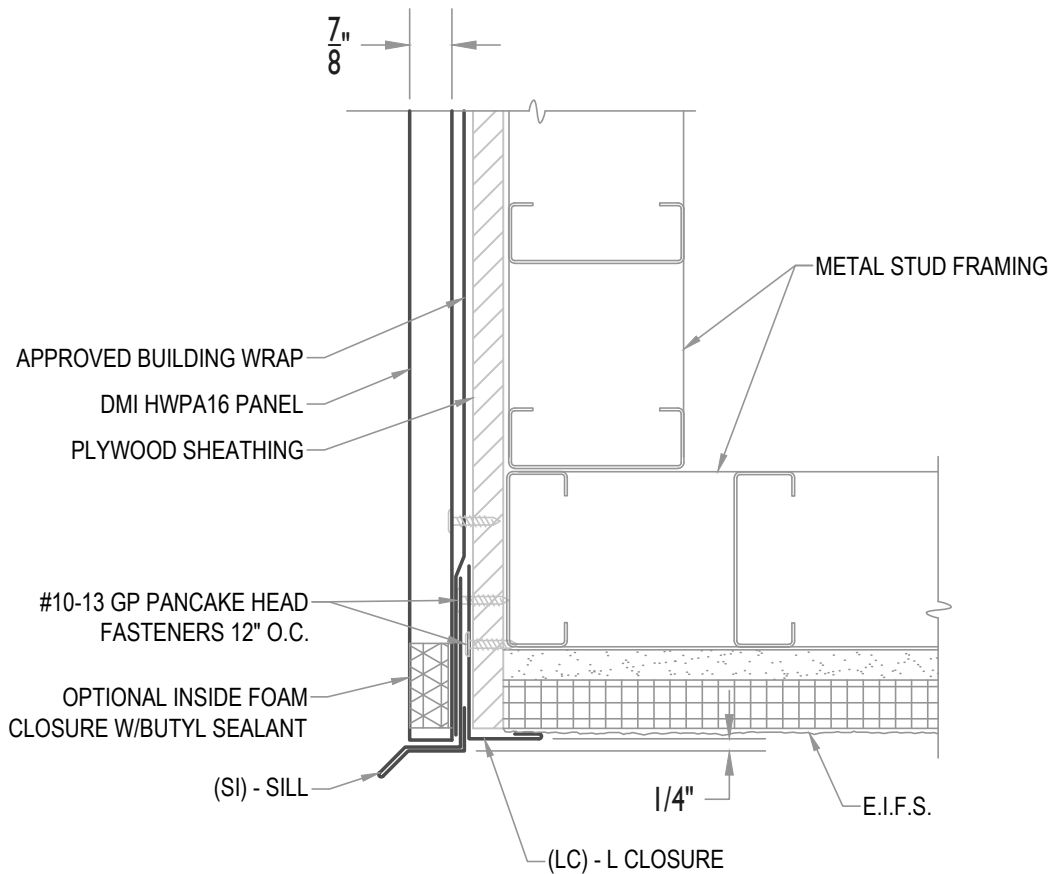
Detail:  
**HWPA16-V- 01-00**

Issue/Rev Date:

01/17

Scale:

3"=1'-0"



MAXIMUM PANEL ATTACHMENT FASTENER SPACING IS 24" O.C. ALL FASTENERS TO PENETRATE WOOD 3/4" MIN. AND METAL FRAMING 1/2" MIN.



**WALL PANEL W/ (EIFS SOFFIT)**

• **PROVEN** • **DEPENDABLE** • **SUSTAINABLE** •  
**METAL ENVELOPE SYSTEMS SINCE 1988**

WWW.DMIMETALS.COM

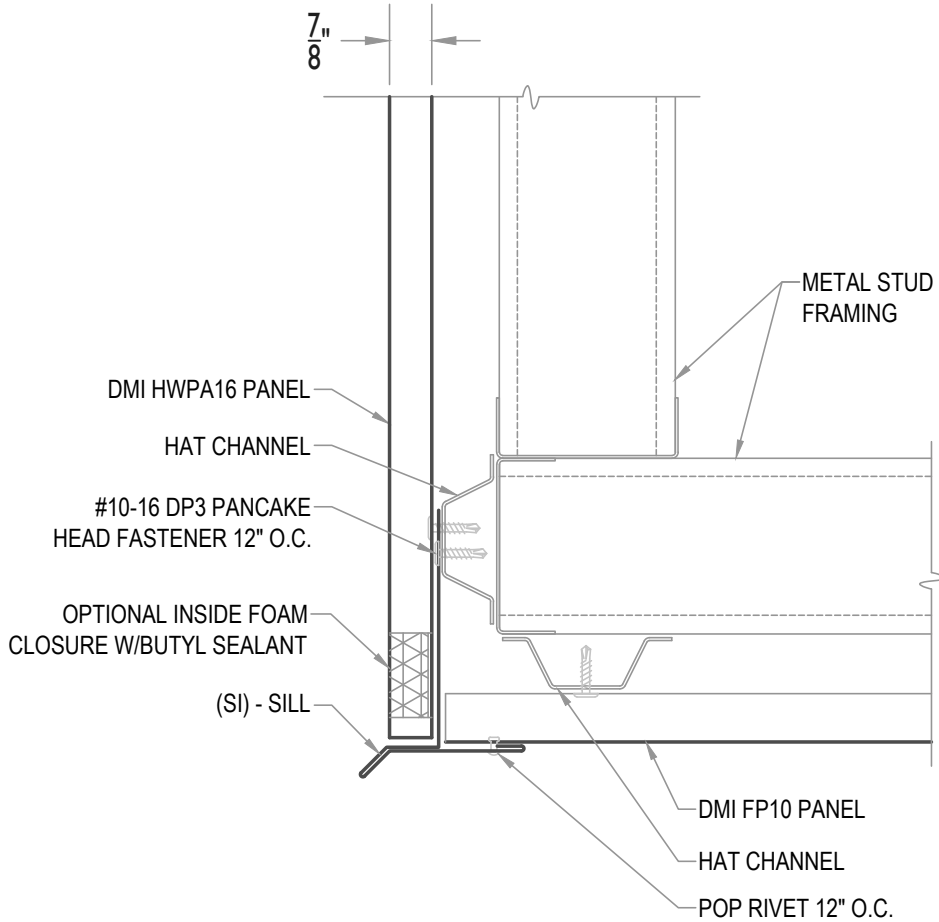
Detail: HWA16-V- 02-00

Issue/Rev Date:

01/17

Scale:

3"=1'-0"



MAXIMUM PANEL ATTACHMENT FASTENER SPACING IS 24" O.C. ALL FASTENERS TO PENETRATE WOOD 3/4" MIN. AND METAL FRAMING 1/2" MIN.



**WALL PANEL W/ (PANEL SOFFIT)**

• **PROVEN** • **DEPENDABLE** • **SUSTAINABLE** •  
**METAL ENVELOPE SYSTEMS SINCE 1988**

WWW.DMIMETALS.COM

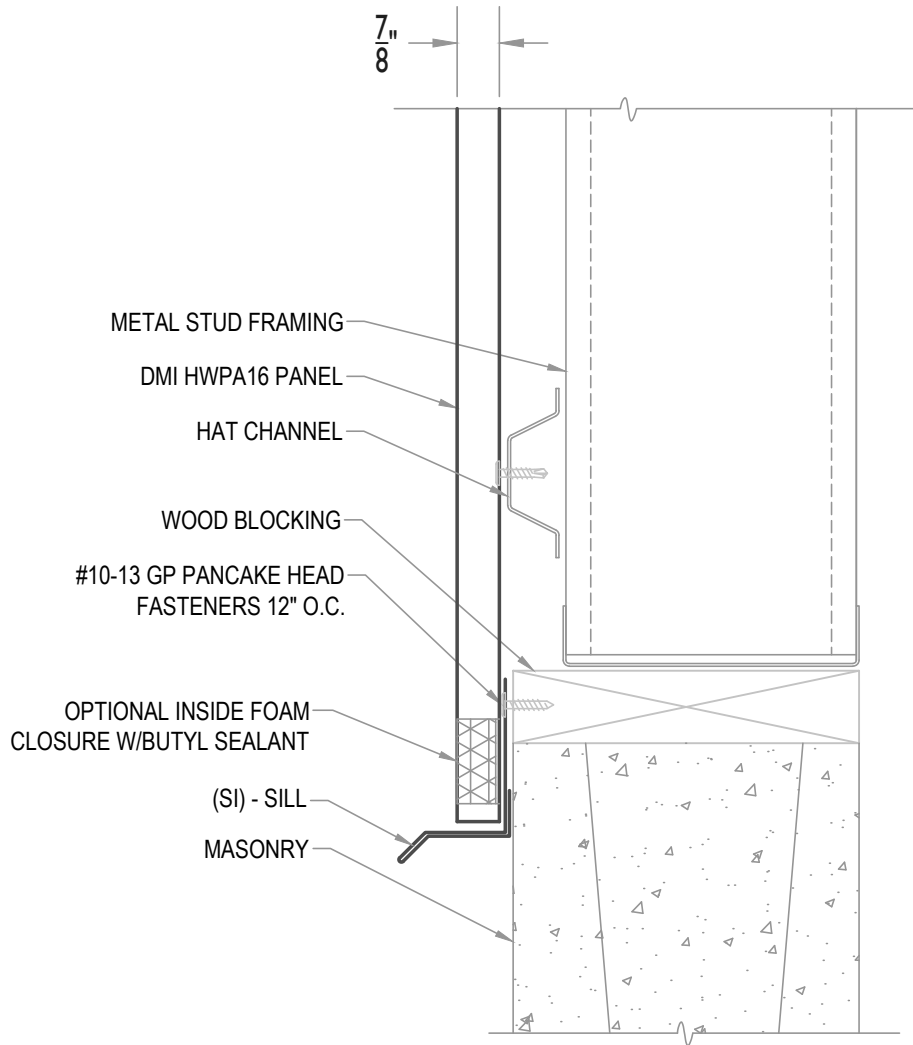
Detail:  
**HWPA16-V- 02-01**

Issue/Rev Date:

01/17

Scale:

3"=1'-0"



MAXIMUM PANEL ATTACHMENT FASTENER SPACING IS 24" O.C. ALL FASTENERS TO PENETRATE WOOD 3/4" MIN. AND METAL FRAMING 1/2" MIN.



WALL PANEL W/ SILL (AT BLOCK)

• **PROVEN** • **DEPENDABLE** • **SUSTAINABLE** •  
**METAL ENVELOPE SYSTEMS SINCE 1988**

WWW.DMIMETALS.COM

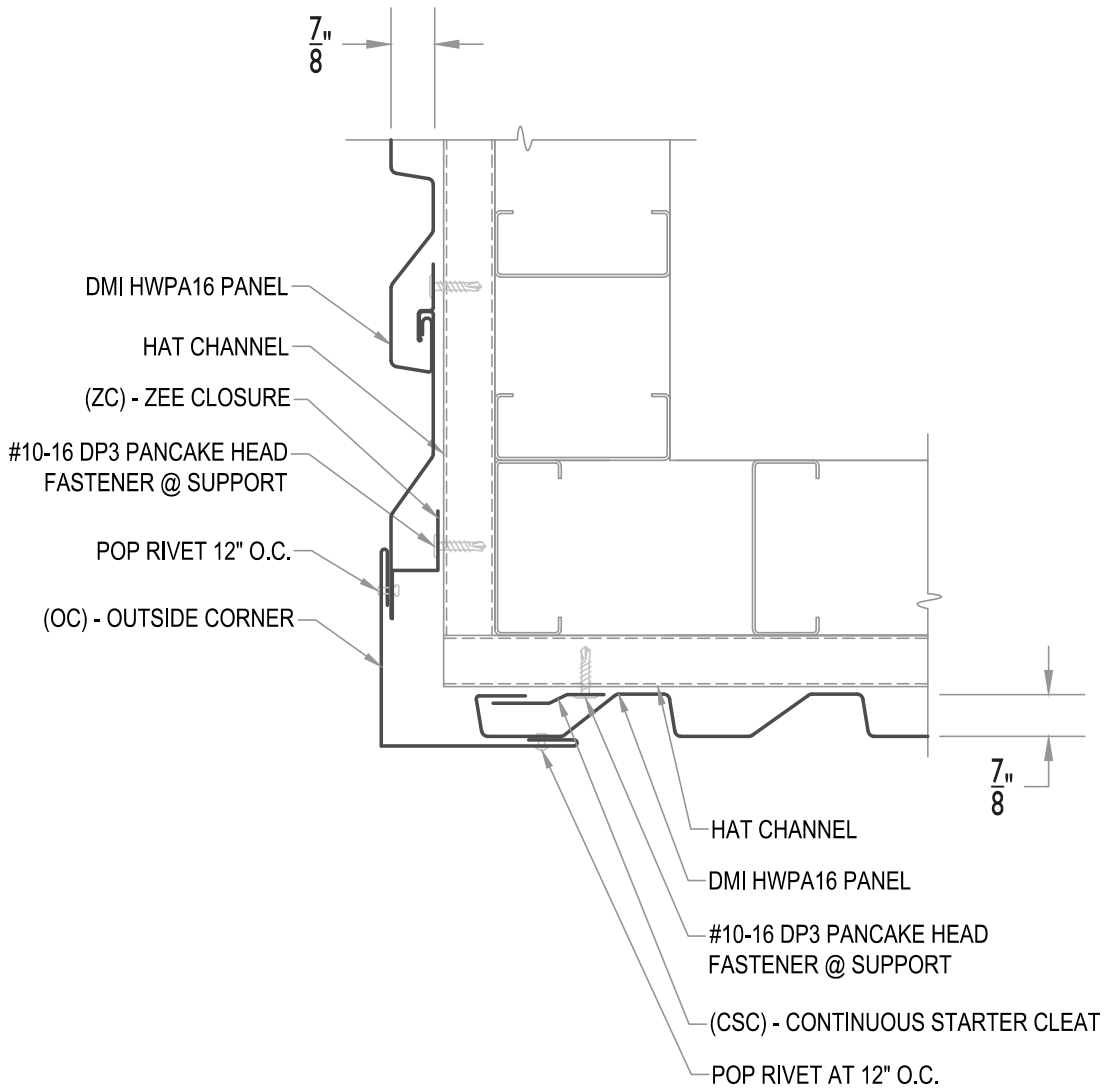
Detail HWP16-V-  
02-02

Issue/Rev Date:

Scale:

01/17

3"=1'-0"



MAXIMUM PANEL ATTACHMENT FASTENER SPACING IS 24" O.C. ALL FASTENERS TO PENETRATE WOOD 3/4" MIN. AND METAL FRAMING 1/2" MIN.



OUTSIDE CORNER

• PROVEN • DEPENDABLE • SUSTAINABLE •  
 METAL ENVELOPE SYSTEMS SINCE 1988

WWW.DMIMETALS.COM

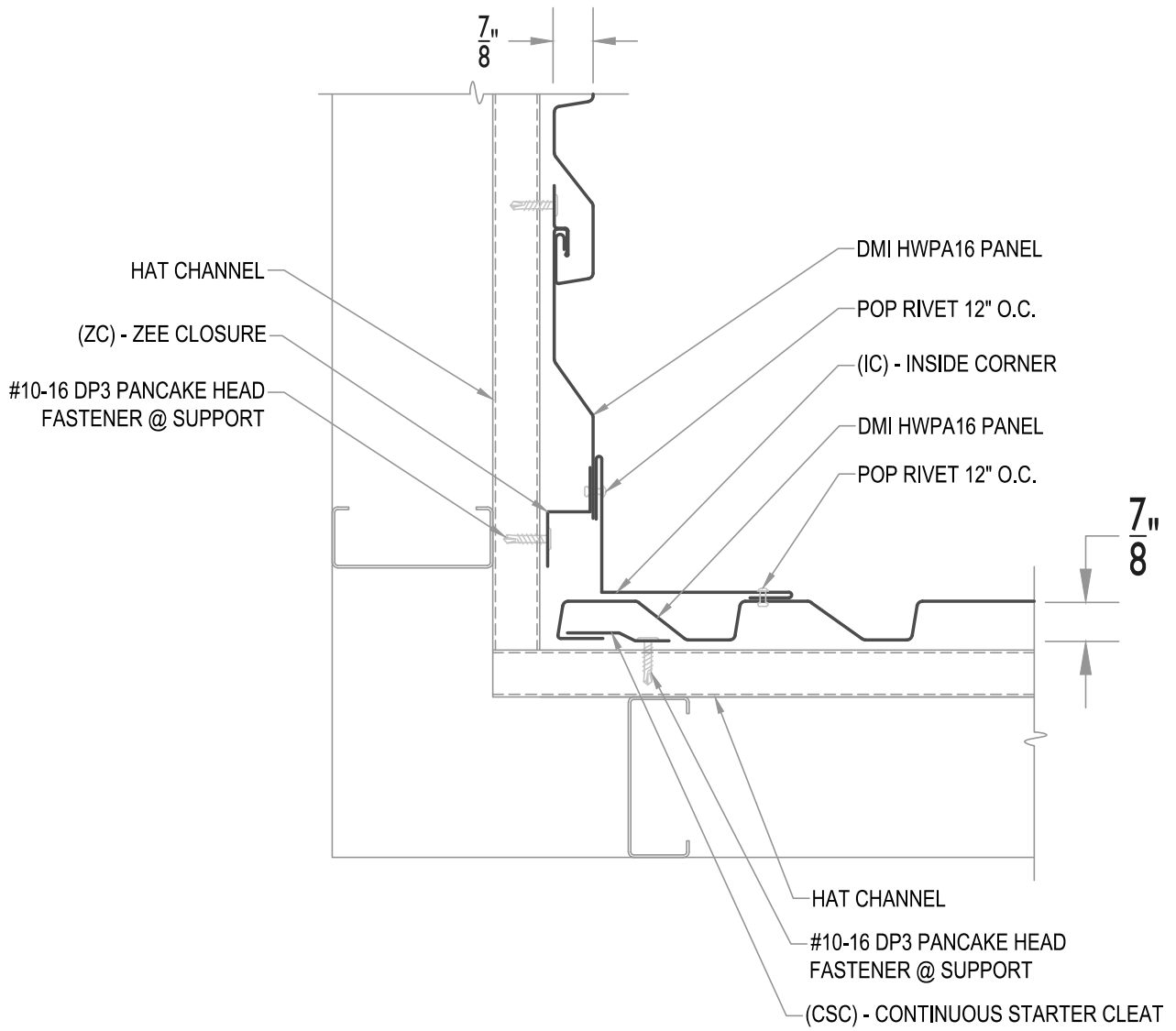
Detail:  
 HWP16-V- 03-00

Issue/Rev Date:

01/17

Scale:

3"=1'-0"



MAXIMUM PANEL ATTACHMENT FASTENER SPACING IS 24" O.C. ALL FASTENERS TO PENETRATE WOOD 3/4" MIN. AND METAL FRAMING 1/2" MIN.



INSIDE CORNER

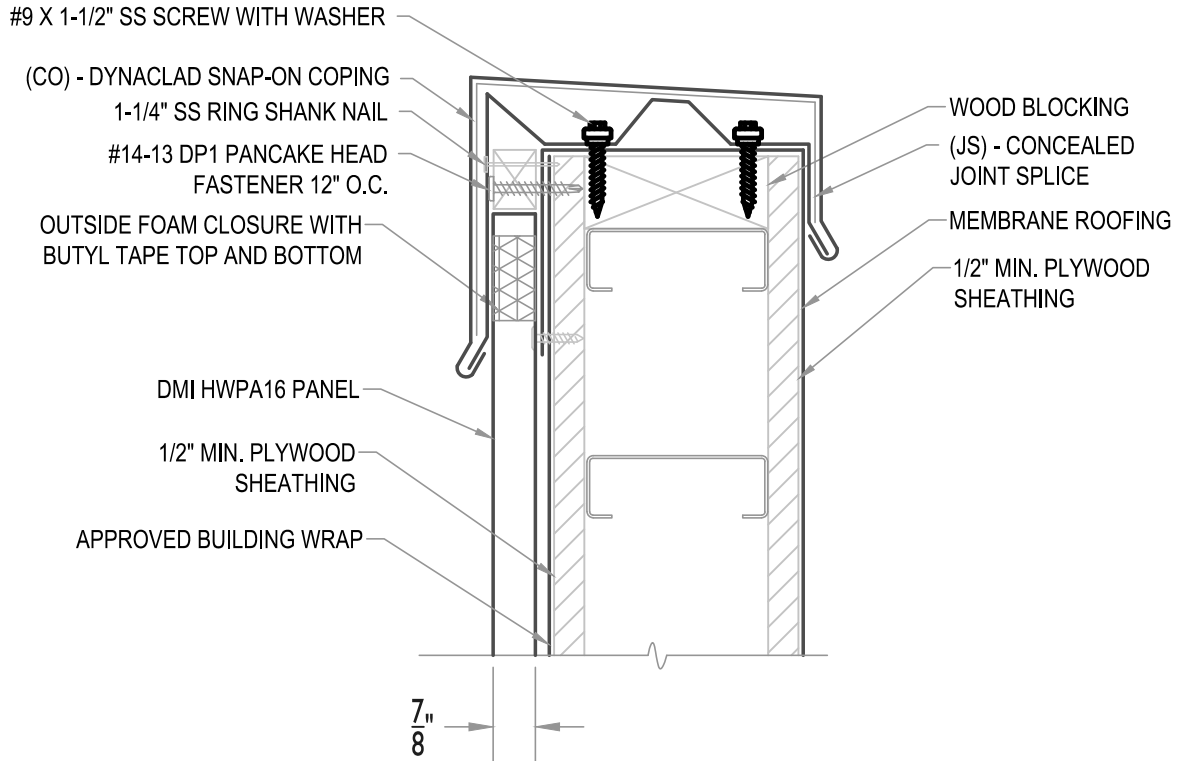
• **PROVEN** • **DEPENDABLE** • **SUSTAINABLE** •  
**METAL ENVELOPE SYSTEMS SINCE 1988**  
 WWW.DMIMETALS.COM

Detail **HWSA16-V-**  
**03-01**

Issue/Rev Date:  
**01/17**

Scale:  
**3"=1'-0"**

SEE DMI DYNACLAD EDGE INSTALLATION GUIDE FOR COMPLETE FASTENING AND INSTALLATION INFORMATION FOR ES-1 RATED SNAP-ON COPING



MAXIMUM PANEL ATTACHMENT FASTENER SPACING IS 24" O.C. ALL FASTENERS TO PENETRATE WOOD 3/4" MIN. AND METAL FRAMING 1/2" MIN.



COPING WITH WOOD SUBSTRATE

• **PROVEN** • **DEPENDABLE** • **SUSTAINABLE** •  
**METAL ENVELOPE SYSTEMS SINCE 1988**

WWW.DMIMETALS.COM

Detail:

HWP16-V- 04-00

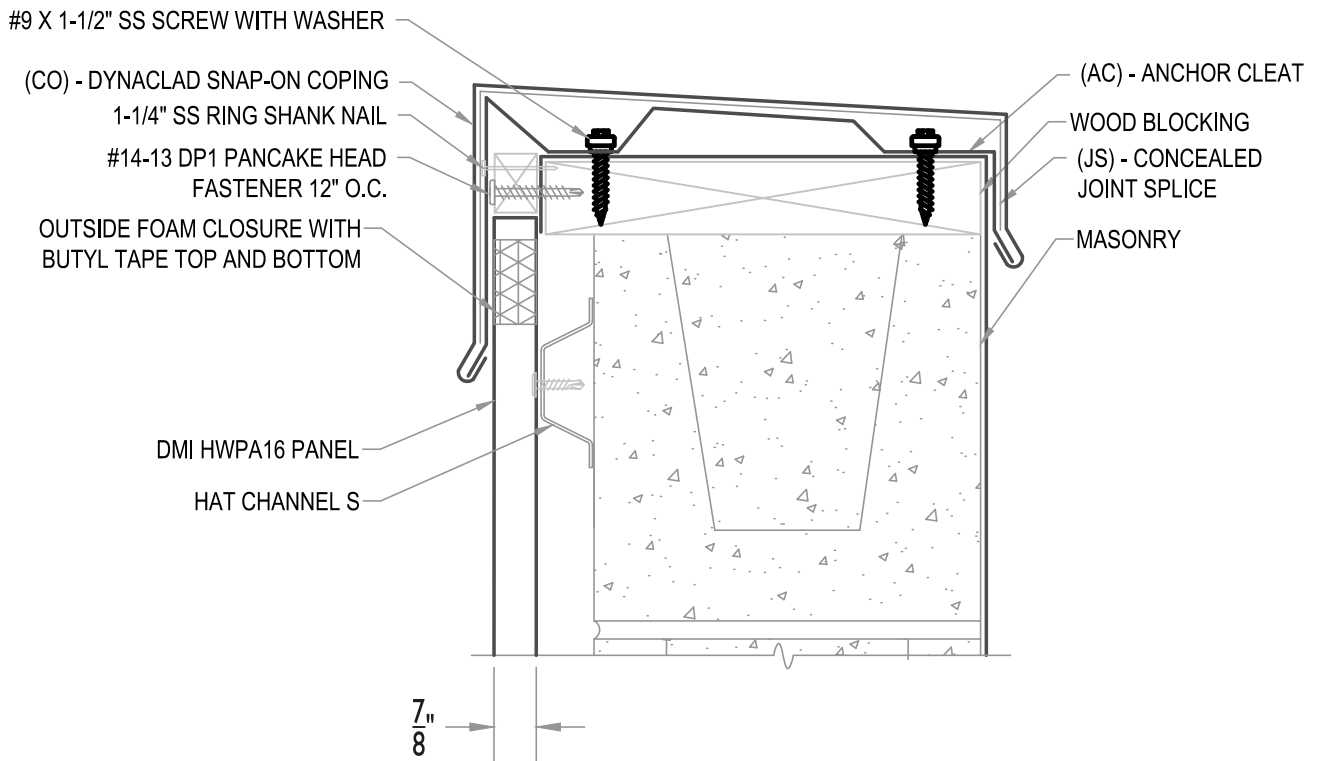
Issue/Rev Date:

01/17

Scale:

3"=1'-0"

SEE DMI DYNACLAD EDGE INSTALLATION GUIDE FOR COMPLETE FASTENING AND INSTALLATION INFORMATION FOR ES-1 RATED SNAP-ON COPING



MAXIMUM PANEL ATTACHMENT FASTENER SPACING IS 24" O.C. ALL FASTENERS TO PENETRATE WOOD 3/4" MIN. AND METAL FRAMING 1/2" MIN.



COPING WITH HAT CHANNEL

• PROVEN • DEPENDABLE • SUSTAINABLE •  
**METAL ENVELOPE SYSTEMS SINCE 1988**

WWW.DMIMETALS.COM

Detail:  
**HWP16-V- 04-01**

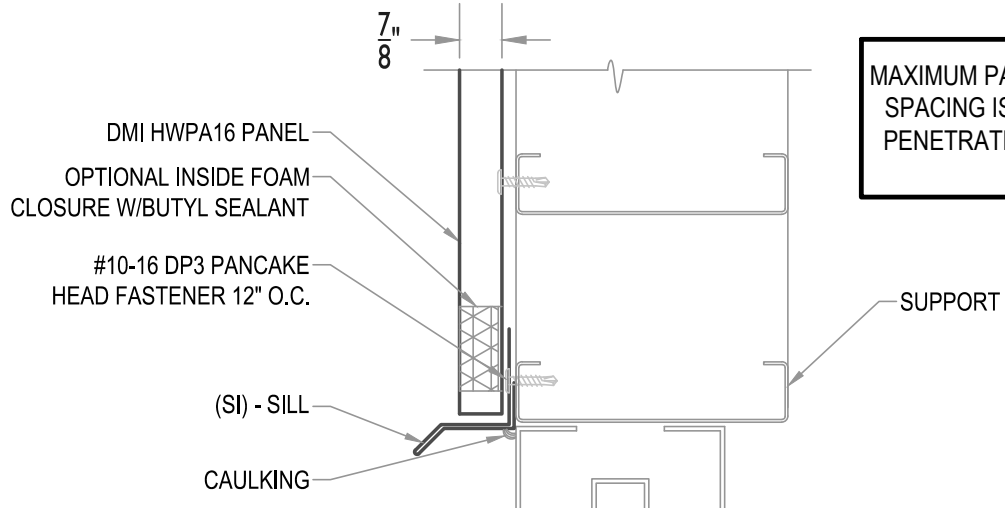
Issue/Rev Date:

01/17

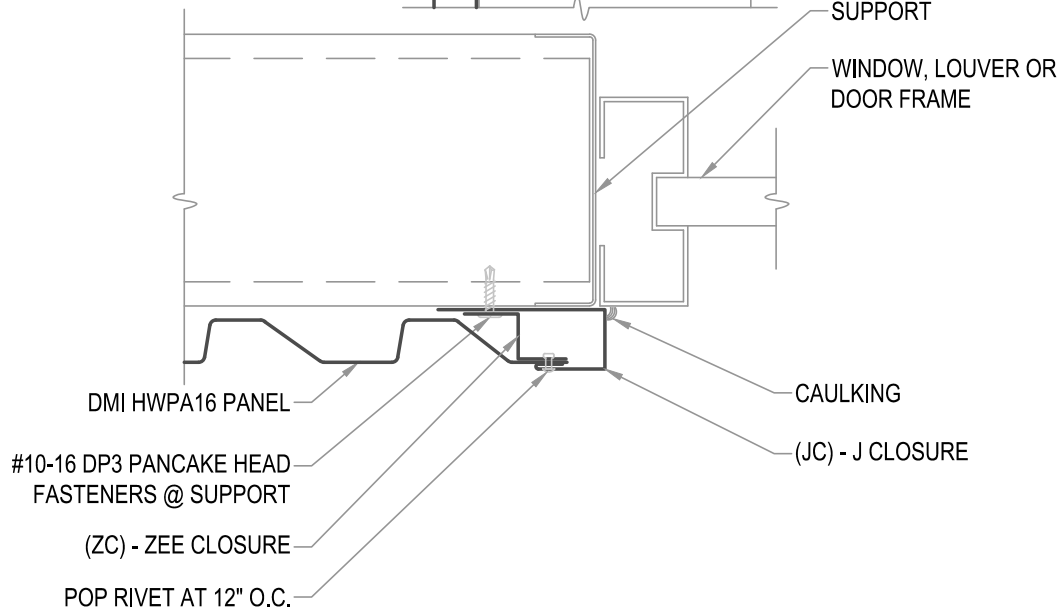
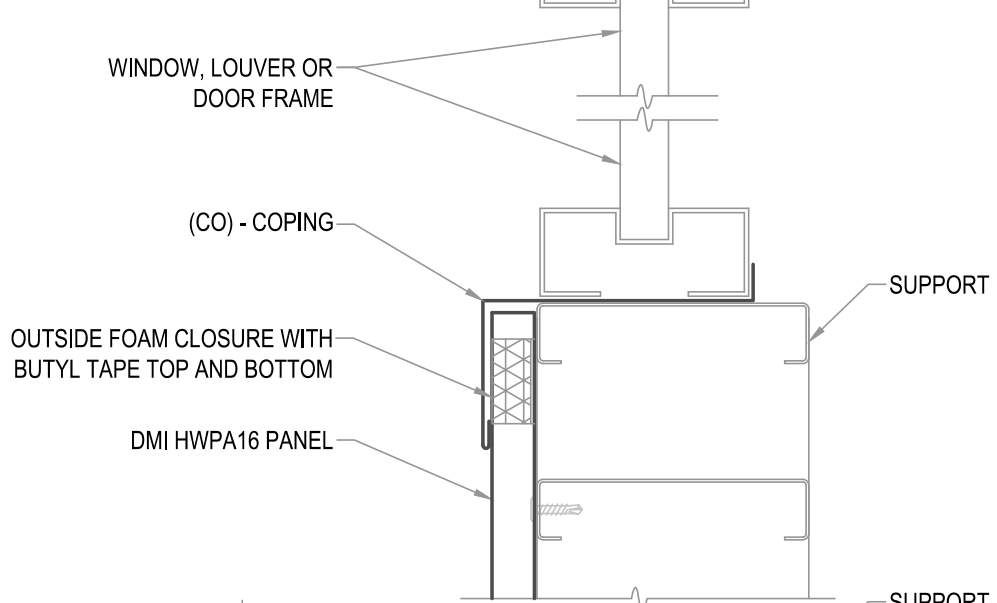
Scale:

3"=1'-0"





MAXIMUM PANEL ATTACHMENT FASTENER SPACING IS 24" O.C. ALL FASTENERS TO PENETRATE WOOD 3/4" MIN. AND METAL FRAMING 1/2" MIN.



OPENING HEAD, SILL AND JAMB

• **PROVEN** • **DEPENDABLE** • **SUSTAINABLE** •  
**METAL ENVELOPE SYSTEMS SINCE 1988**

WWW.DMIMETALS.COM

Detail:  
**HWA16-V- 05-00**

Issue/Rev Date:

Scale:

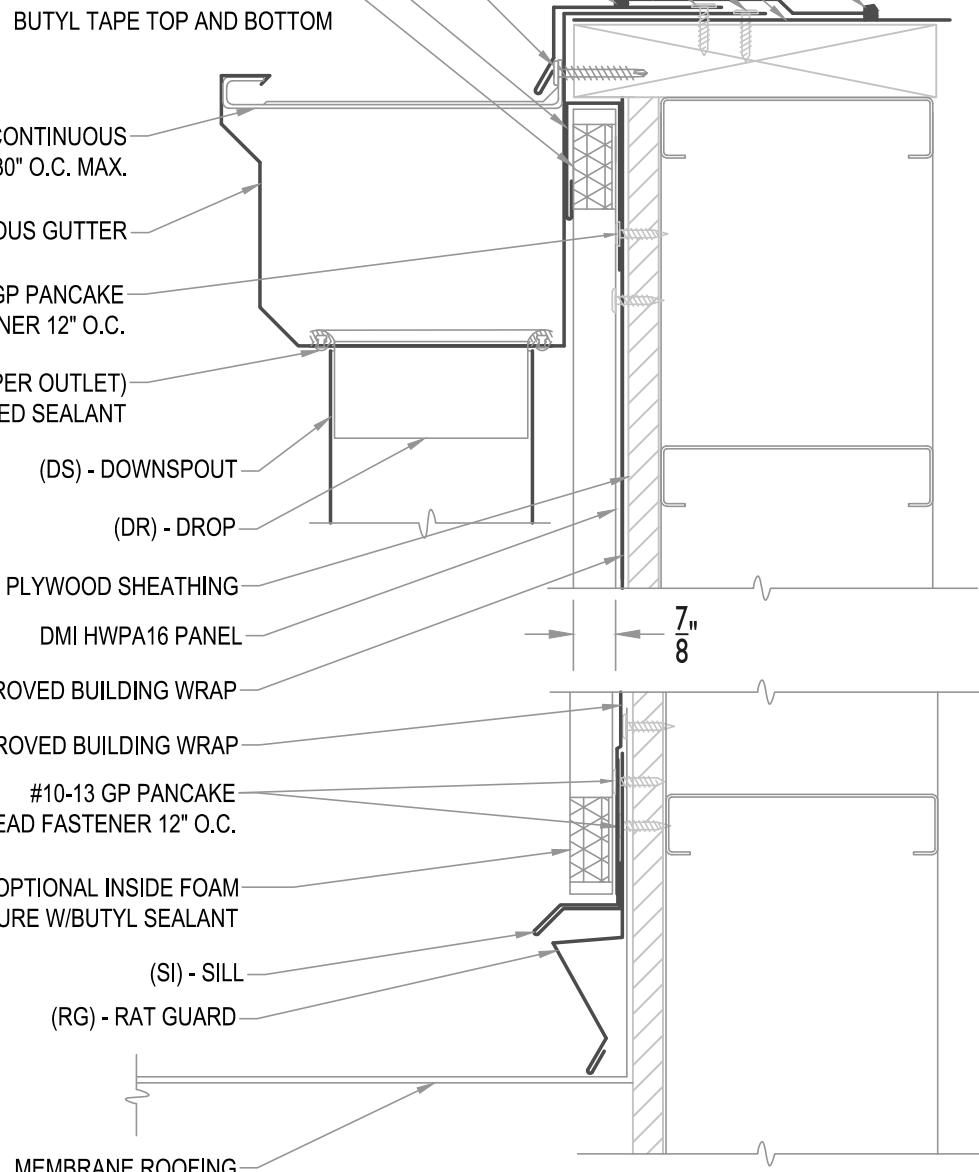
01/17

3"=1'-0"

HIGH PROFILE EDGE CAULK  
 MEMBRANE ROOFING  
 #10-13 GP PANCAKE  
 HEAD FASTENER 12" O.C.  
 BAR COVER TAPE  
 HIGH PROFILE EDGE CAULK  
 #14-13 X 1 1/2" DP1 PANCAKE  
 HEAD FASTENER 30" O.C.  
 (JC) - J CLOSURE  
 OUTSIDE FOAM CLOSURE WITH  
 BUTYL TAPE TOP AND BOTTOM

MAXIMUM PANEL ATTACHMENT FASTENER  
 SPACING IS 24" O.C. ALL FASTENERS TO  
 PENETRATE WOOD 3/4" MIN. AND METAL  
 FRAMING 1/2" MIN.

(GS) - DMI CONTINUOUS  
 GUTTER STRAP 30" O.C. MAX.  
 (GU) - DMI CONTINUOUS GUTTER  
 #10-13 GP PANCAKE  
 HEAD FASTENER 12" O.C.  
 POP RIVET (EIGHT PER OUTLET)  
 SEALED WITH APPROVED SEALANT  
 (DS) - DOWNSPOUT  
 (DR) - DROP  
 PLYWOOD SHEATHING  
 DMI HHPA16 PANEL  
 APPROVED BUILDING WRAP  
 APPROVED BUILDING WRAP  
 #10-13 GP PANCAKE  
 HEAD FASTENER 12" O.C.  
 OPTIONAL INSIDE FOAM  
 CLOSURE W/BUTYL SEALANT  
 (SI) - SILL  
 (RG) - RAT GUARD  
 MEMBRANE ROOFING

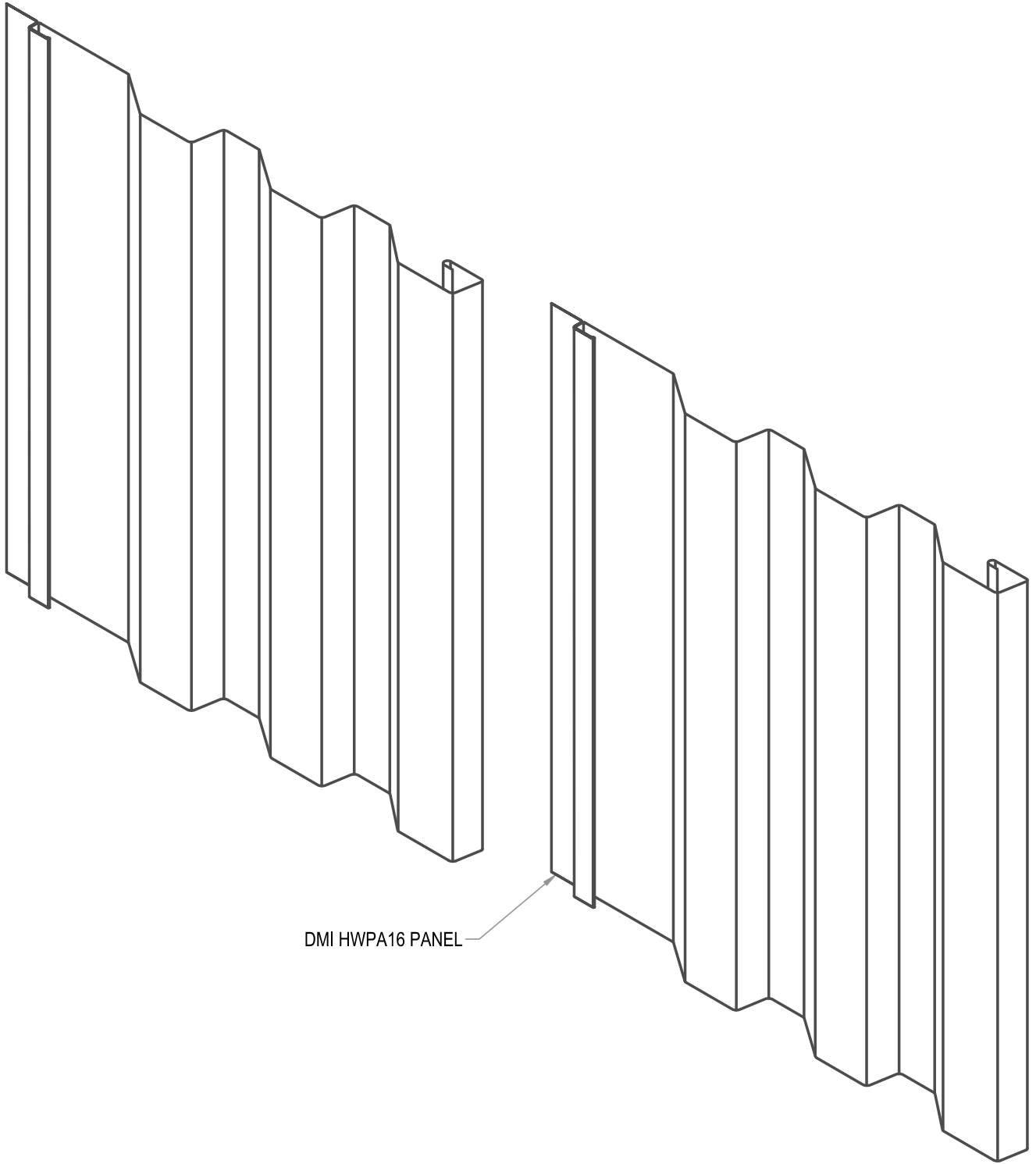


WALL SECTION AT MEMBRANE ROOF

• **PROVEN** • **DEPENDABLE** • **SUSTAINABLE** •  
**METAL ENVELOPE SYSTEMS SINCE 1988**  
 WWW.DMIMETALS.COM

Detail:  
 HHPA16-V- 06-00

Issue/Rev Date: 01/17 Scale: 3"=1'-0"



DMI HHPA16 PANEL



### PANEL INSTALLATION

• **PROVEN** • **DEPENDABLE** • **SUSTAINABLE** •  
**METAL ENVELOPE SYSTEMS SINCE 1988**

[WWW.DMIMETALS.COM](http://WWW.DMIMETALS.COM)

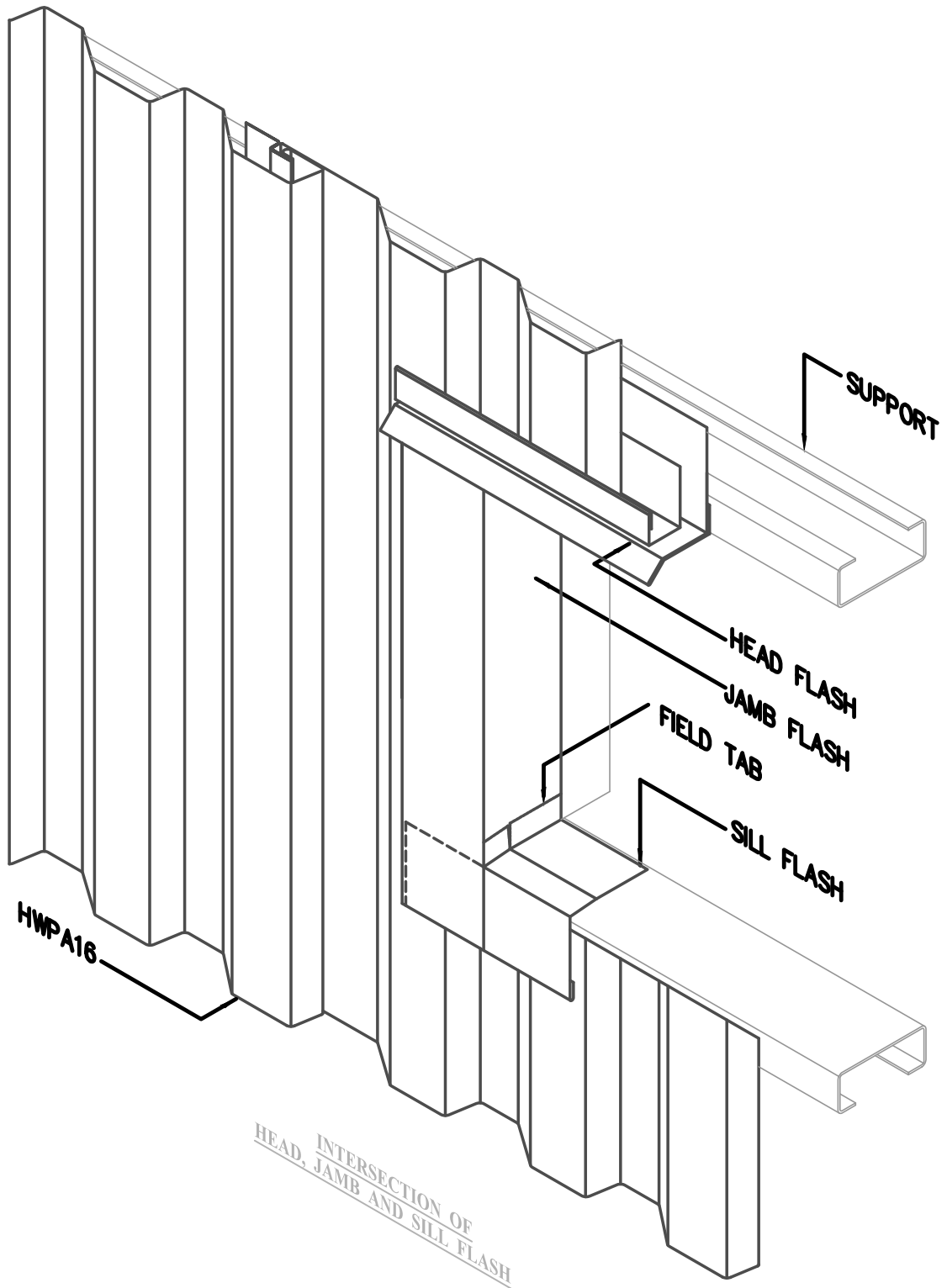
Detail:  
**HHPA16-V- 07-00**

Issue/Rev Date:

**01/17**

Scale:

**3"=1'-0"**



ISO HEAD, SILL AND JAMB

• **PROVEN** • **DEPENDABLE** • **SUSTAINABLE** •  
**METAL ENVELOPE SYSTEMS SINCE 1988**

WWW.DMIMETALS.COM

Detail:  
 HWP A16-V- 08-00

Issue/Rev Date:

01/17

Scale:

3"=1'-0"