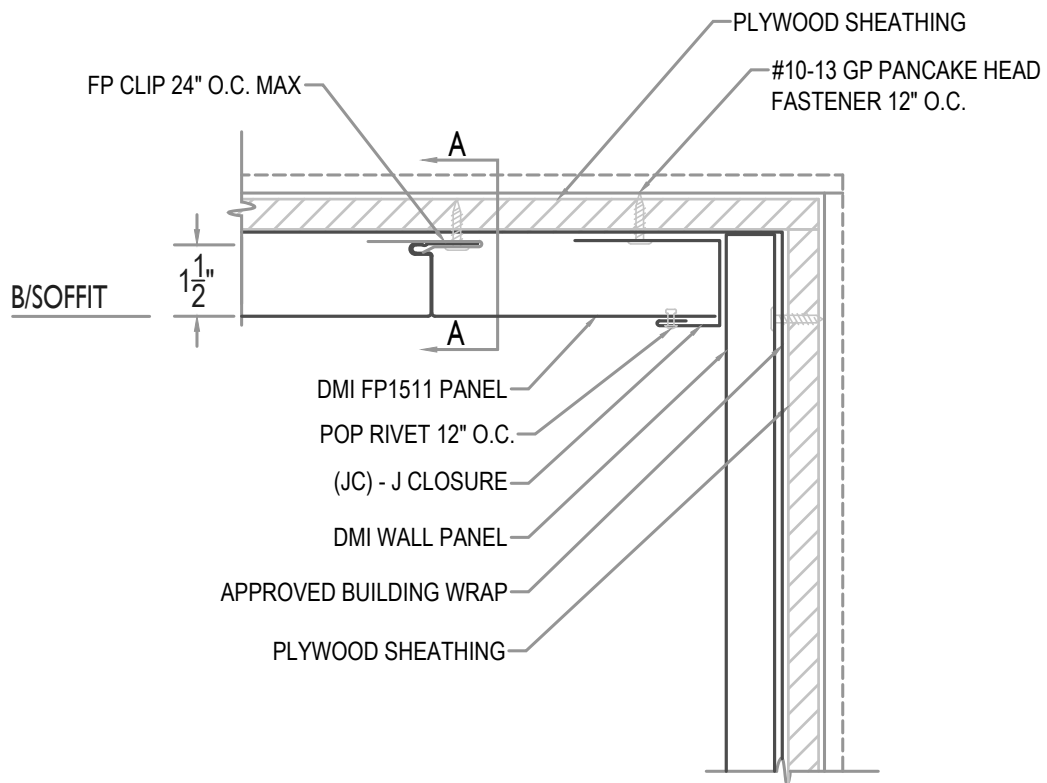
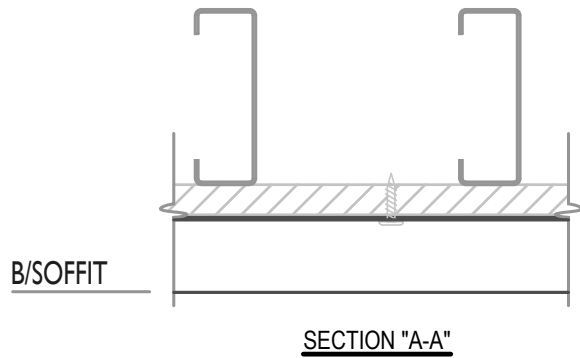


FASTENERS TO PENETRATE WOOD SHEETING  
3/4" MIN. AND METAL FRAMING 1/2" MIN.



SOFFIT TO WALL PANEL

• **PROVEN** • **DEPENDABLE** • **SUSTAINABLE** •  
**METAL ENVELOPE SYSTEMS SINCE 1988**

WWW.DMIMETALS.COM

Detail:

FP15-H-01-00

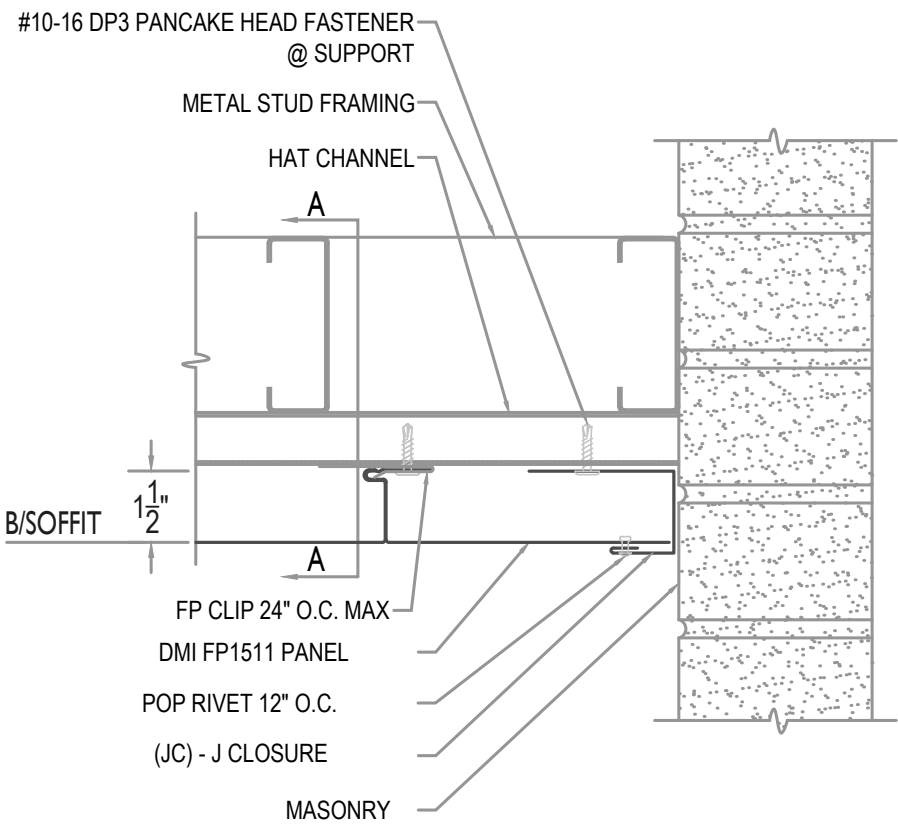
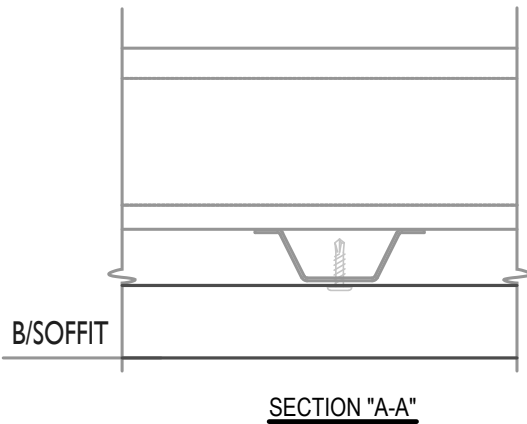
Issue/Rev Date:

03/17

Scale:

3"=1'-0"

FASTENERS TO PENETRATE WOOD SHEETING  
3/4" MIN. AND METAL FRAMING 1/2" MIN.



**SOFFIT ENDWALL**

Detail:  
**FP15-H-01-01**

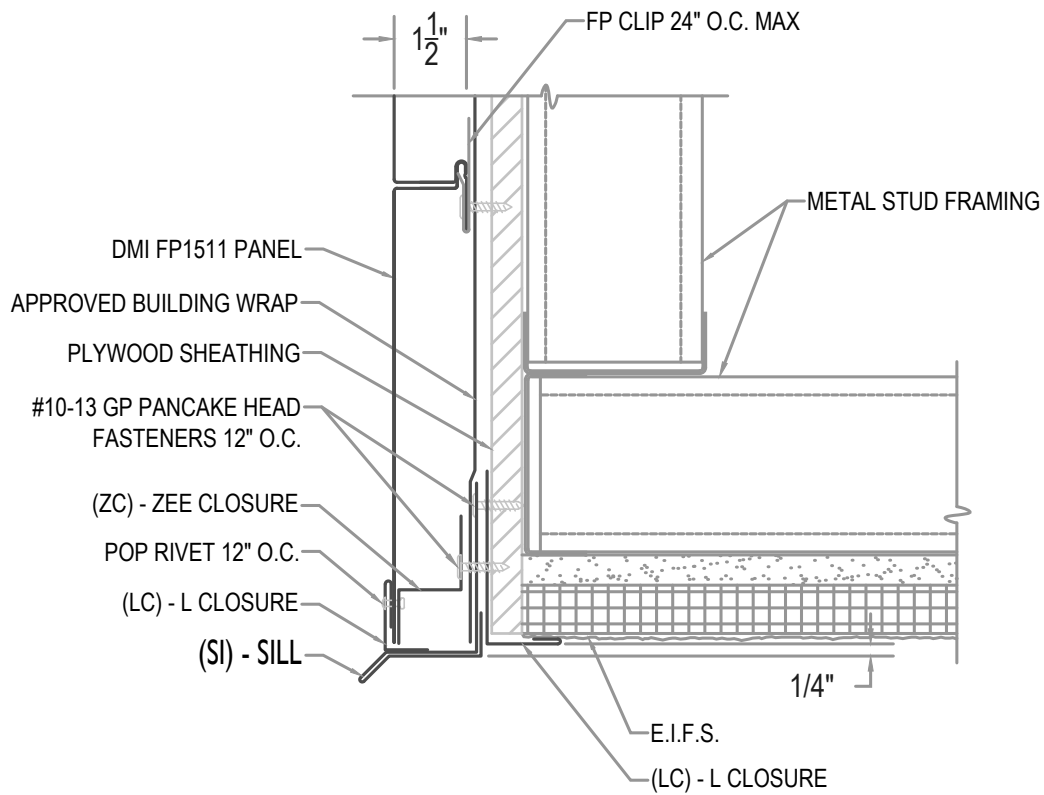
**• PROVEN • DEPENDABLE • SUSTAINABLE •**  
**METAL ENVELOPE SYSTEMS SINCE 1988**

Issue/Rev Date: **03/17** Scale: **3"=1'-0"**

[WWW.DMIMETALS.COM](http://WWW.DMIMETALS.COM)



FASTENERS TO PENETRATE WOOD SHEETING  
3/4" MIN. AND METAL FRAMING 1/2" MIN.



WALL PANEL W/ SILL (EIFS SOFFIT)

• **PROVEN** • **DEPENDABLE** • **SUSTAINABLE** •  
**METAL ENVELOPE SYSTEMS SINCE 1988**

WWW.DMIMETALS.COM

Detail:

FP15-H-02-00

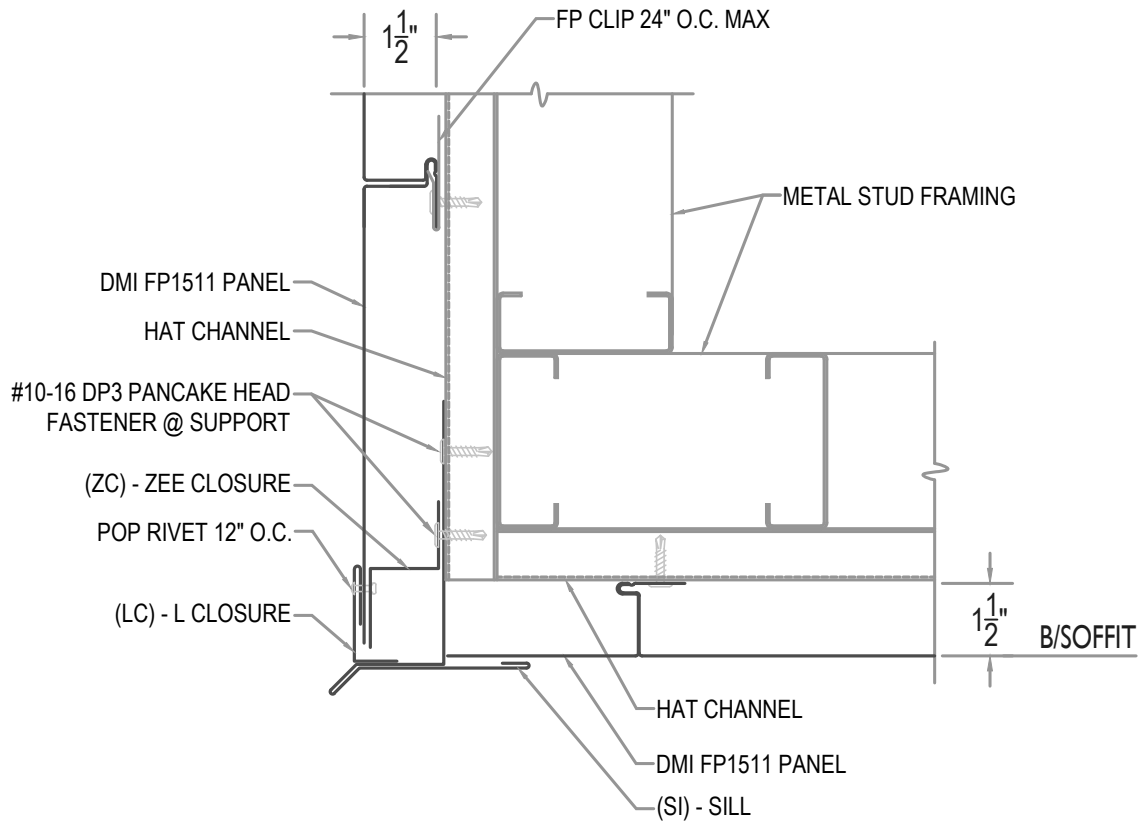
Issue/Rev Date:

03/17

Scale:

3"=1'-0"

FASTENERS TO PENETRATE WOOD SHEETING  
3/4" MIN. AND METAL FRAMING 1/2" MIN.



WALL PANEL W/ SILL (PANEL SOFFIT)

• **PROVEN** • **DEPENDABLE** • **SUSTAINABLE** •  
**METAL ENVELOPE SYSTEMS SINCE 1988**

WWW.DMIMETALS.COM

Detail:

FP15-H-02-01

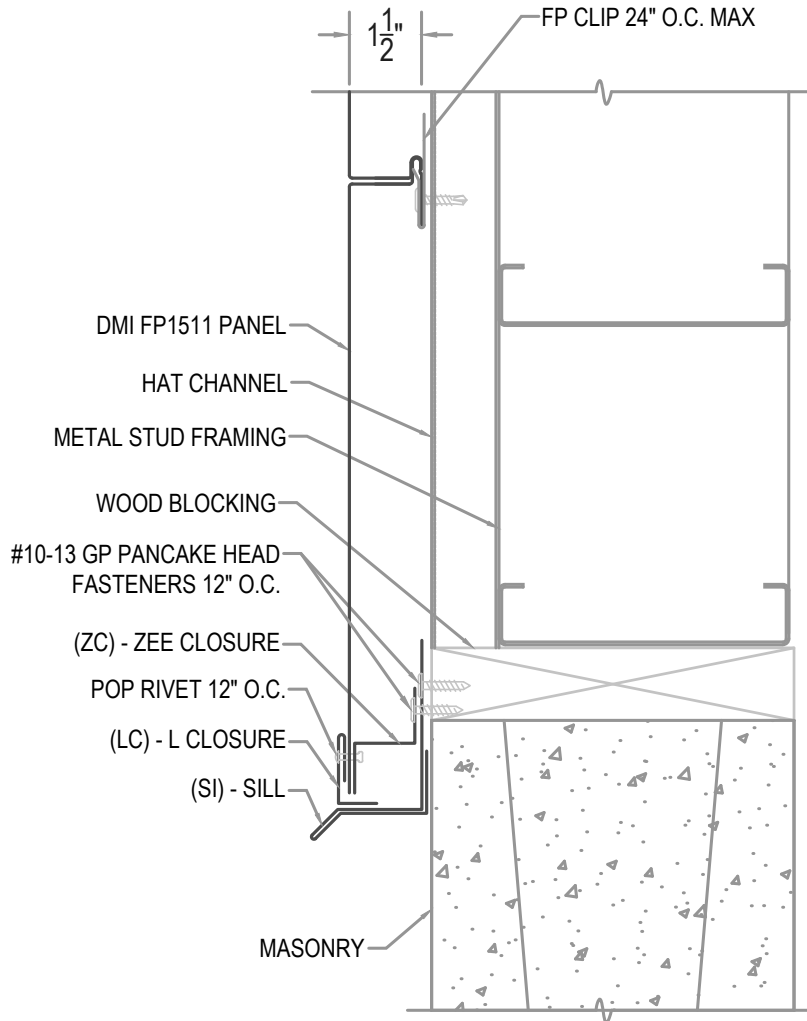
Issue/Rev Date:

03/17

Scale:

3"=1'-0"

FASTENERS TO PENETRATE WOOD SHEETING  
3/4" MIN. AND METAL FRAMING 1/2" MIN.



WALL PANEL W/ SILL (AT BLOCK)

• **PROVEN** • **DEPENDABLE** • **SUSTAINABLE** •  
**METAL ENVELOPE SYSTEMS SINCE 1988**

WWW.DMIMETALS.COM

Detail:

FP15-H-02-02

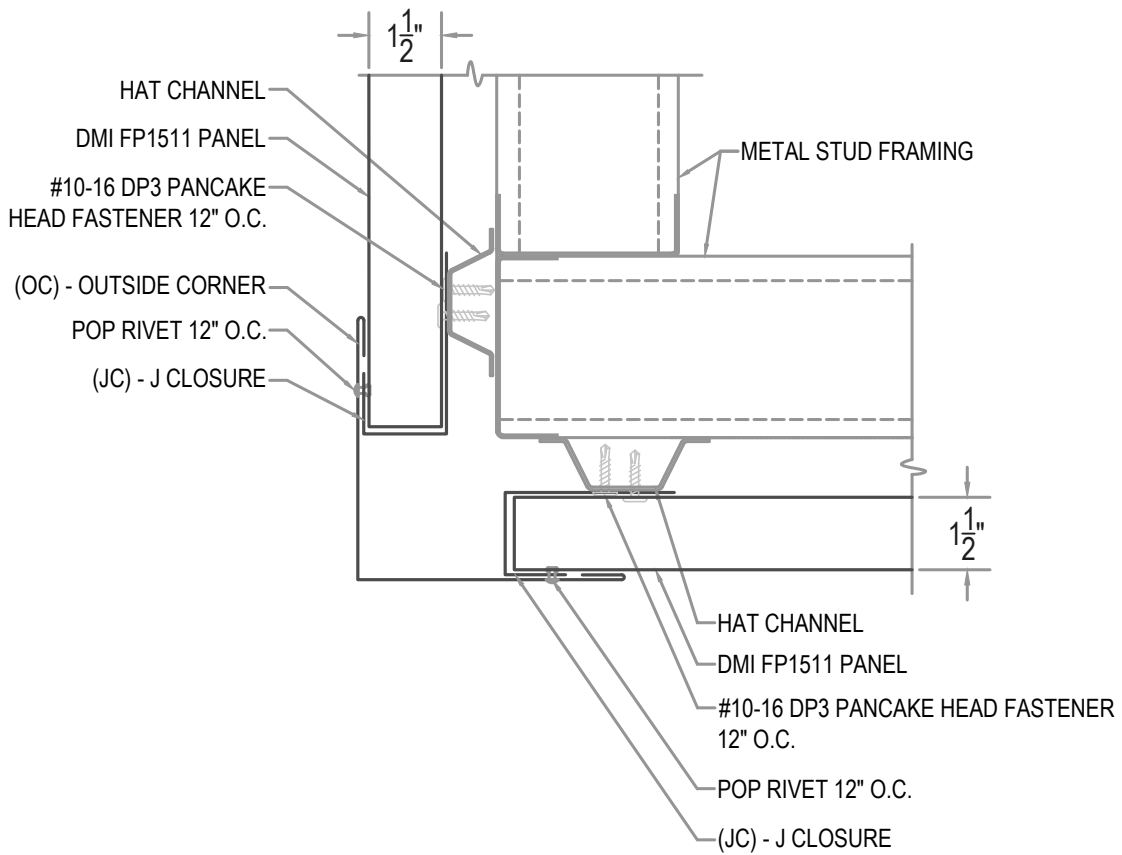
Issue/Rev Date:

03/17

Scale:

3"=1'-0"

FASTENERS TO PENETRATE WOOD SHEETING  
 3/4" MIN. AND METAL FRAMING 1/2" MIN.



OUTSIDE CORNER

• PROVEN • DEPENDABLE • SUSTAINABLE •  
 METAL ENVELOPE SYSTEMS SINCE 1988

WWW.DMIMETALS.COM

Detail:

FP15-H-03-00

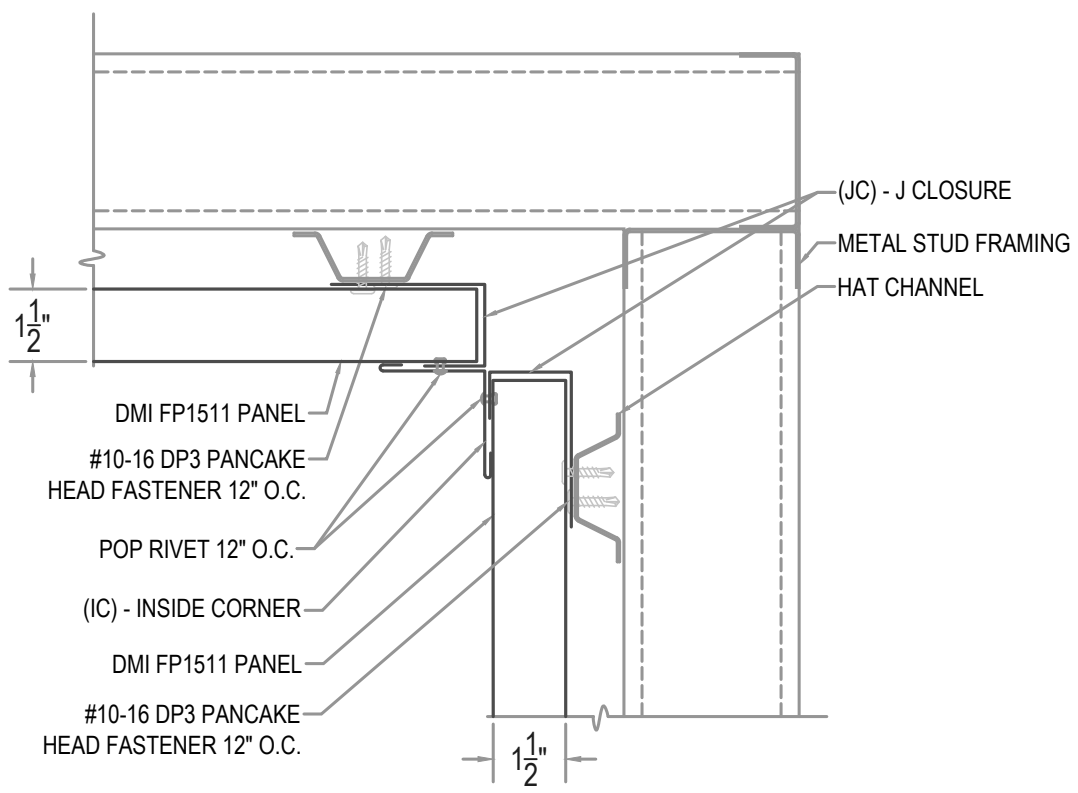
Issue/Rev Date:

03/17

Scale:

3"=1'-0"

FASTENERS TO PENETRATE WOOD SHEETING  
3/4" MIN. AND METAL FRAMING 1/2" MIN.



INSIDE CORNER

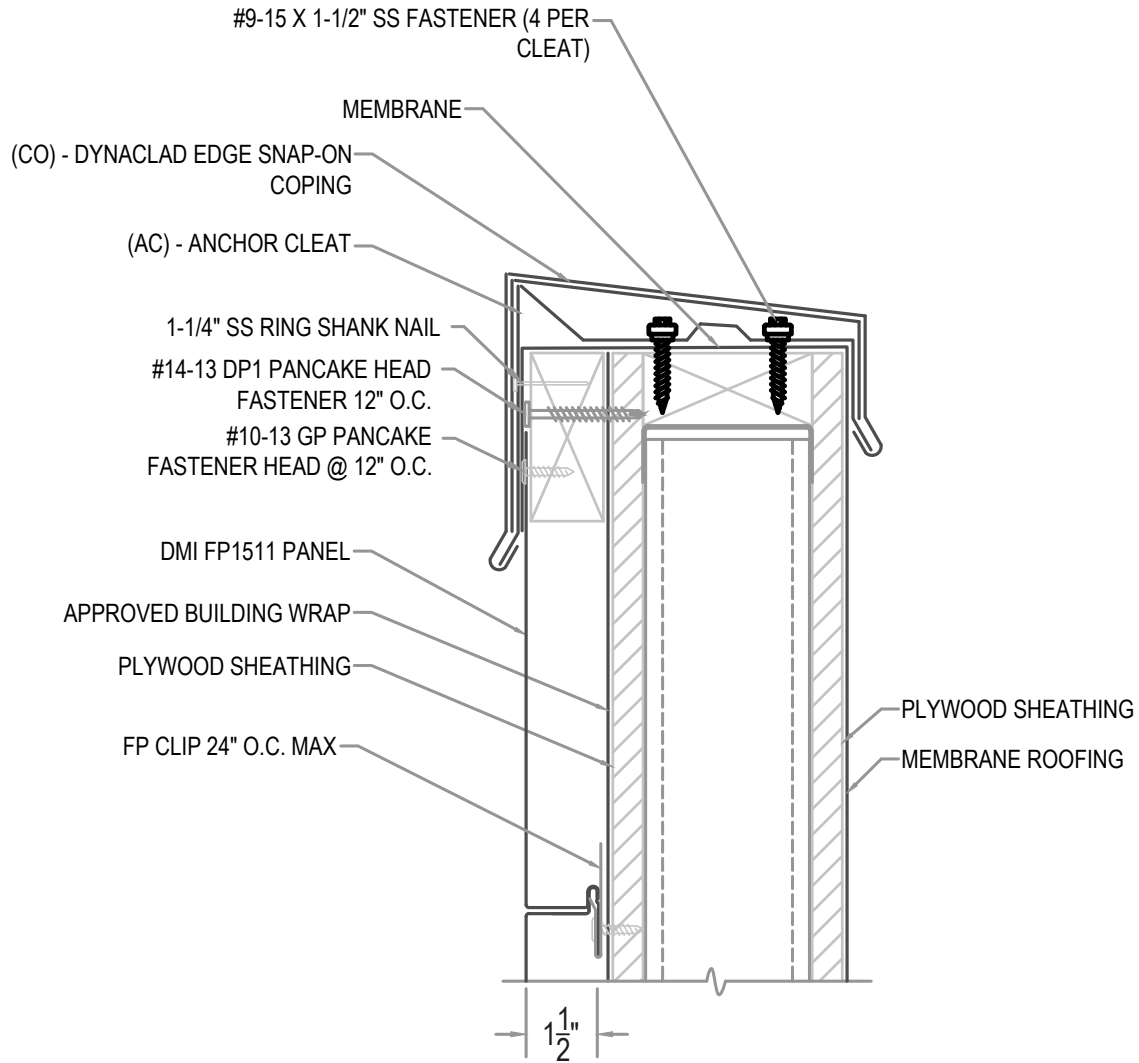
• **PROVEN** • **DEPENDABLE** • **SUSTAINABLE** •  
**METAL ENVELOPE SYSTEMS SINCE 1988**  
[WWW.DMIMETALS.COM](http://WWW.DMIMETALS.COM)

Detail:  
**FP15-H-03-01**

Issue/Rev Date: **03/17** Scale: **3"=1'-0"**

FASTENERS TO PENETRATE WOOD SHEETING  
3/4" MIN. AND METAL FRAMING 1/2" MIN.

SEE DMI DYNACLAD EDGE INSTALLATION  
GUIDE FOR COMPLETE FASTENING AND  
INSTALLATION INFORMATION FOR ES-1  
RATED SNAP-ON COPING



COPING WITH WOOD SUBSTRATE

• **PROVEN** • **DEPENDABLE** • **SUSTAINABLE** •  
**METAL ENVELOPE SYSTEMS SINCE 1988**

WWW.DMIMETALS.COM

Detail:

FP15-H-04-00

Issue/Rev Date:

03/17

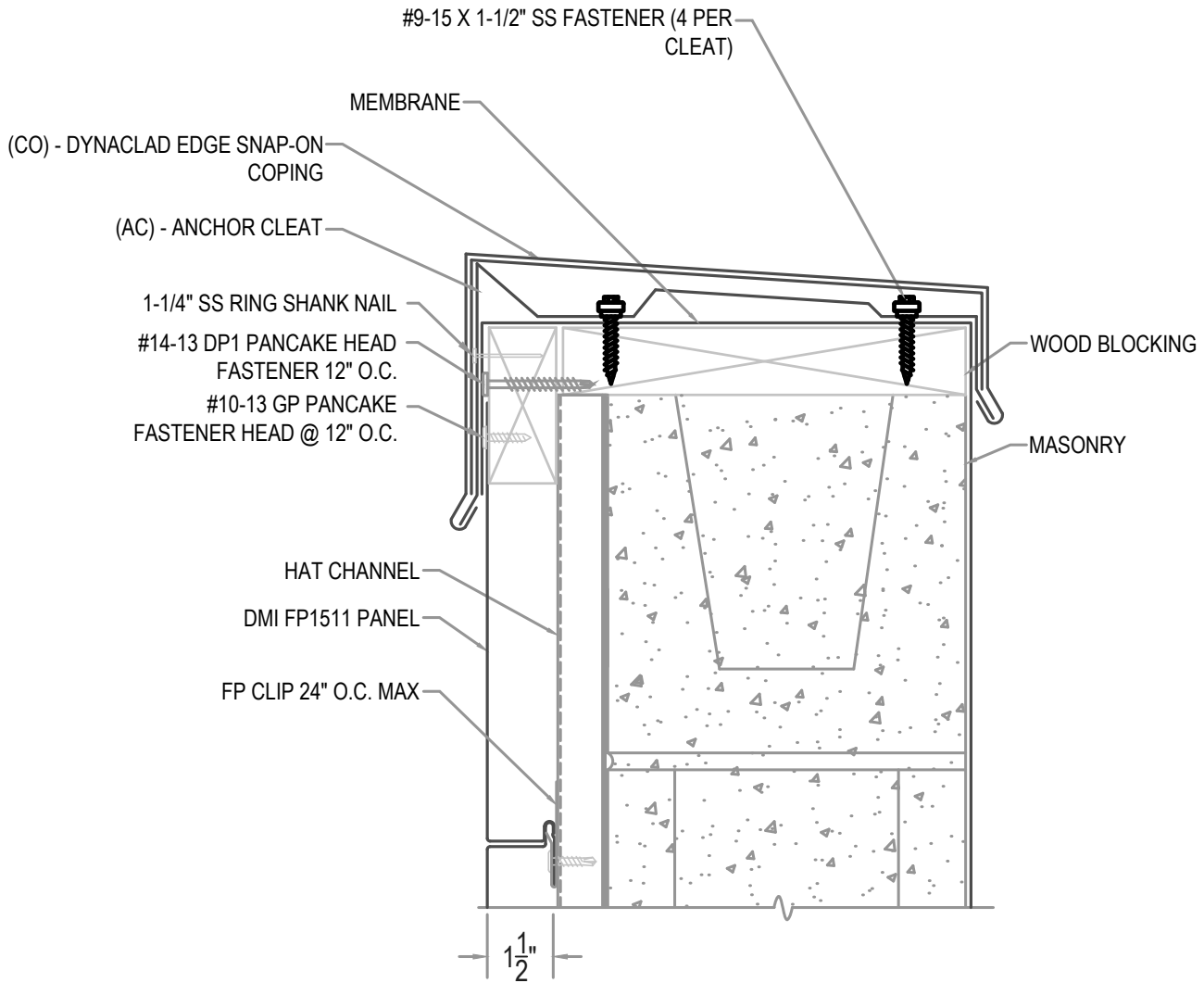
Scale:

3"=1'-0"



FASTENERS TO PENETRATE WOOD SHEETING  
3/4" MIN. AND METAL FRAMING 1/2" MIN.

SEE DMI DYNACLAD EDGE INSTALLATION  
GUIDE FOR COMPLETE FASTENING AND  
INSTALLATION INFORMATION FOR ES-1  
RATED SNAP-ON COPING



COPING WITH HAT CHANNEL

• **PROVEN** • **DEPENDABLE** • **SUSTAINABLE** •  
**METAL ENVELOPE SYSTEMS SINCE 1988**

WWW.DMIMETALS.COM

Detail:

FP15-H-04-01

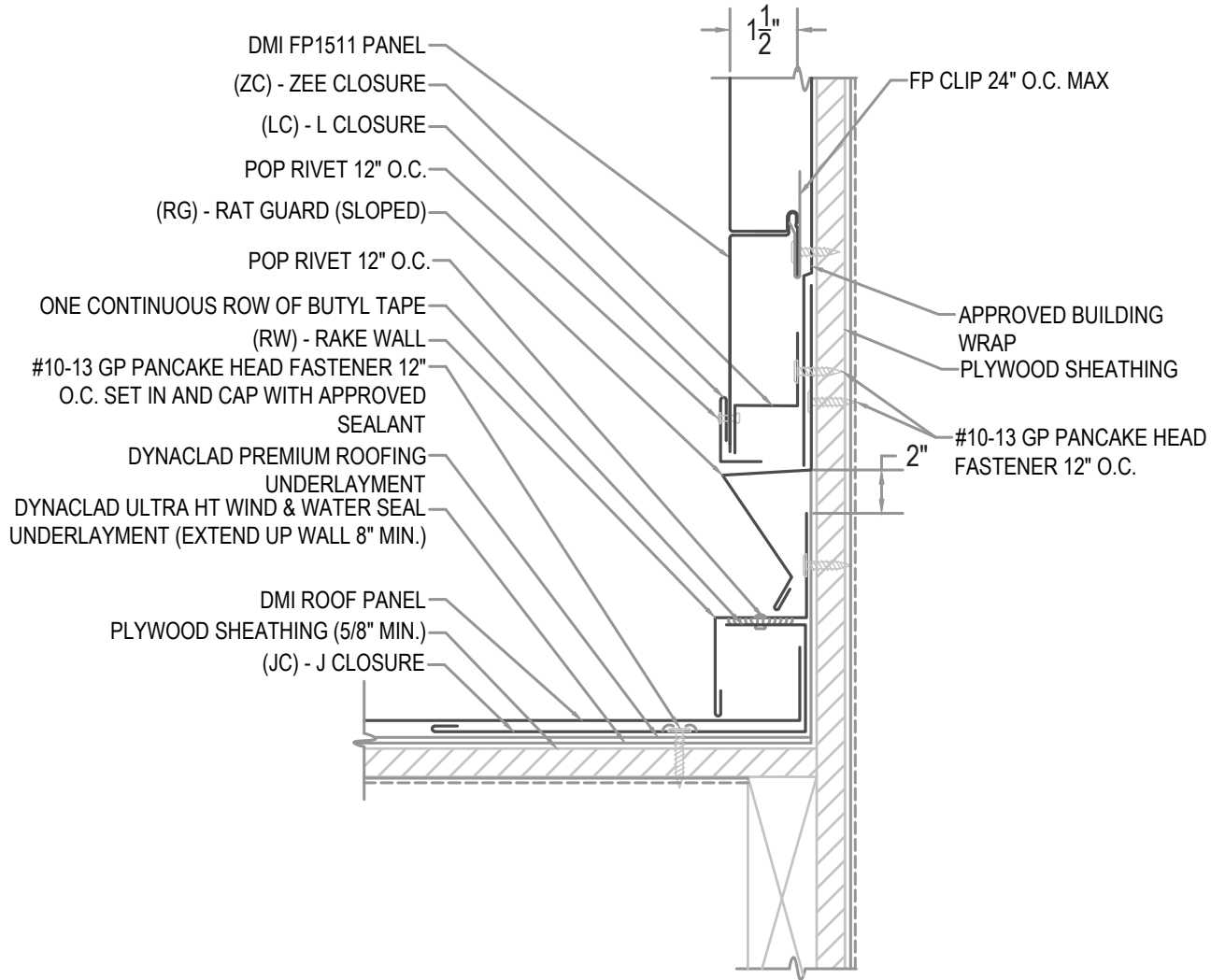
Issue/Rev Date:

03/17

Scale:

3"=1'-0"

FASTENERS TO PENETRATE WOOD SHEETING  
3/4" MIN. AND METAL FRAMING 1/2" MIN.



RAKE WALL

• **PROVEN** • **DEPENDABLE** • **SUSTAINABLE** •  
**METAL ENVELOPE SYSTEMS SINCE 1988**

WWW.DMIMETALS.COM

Detail:

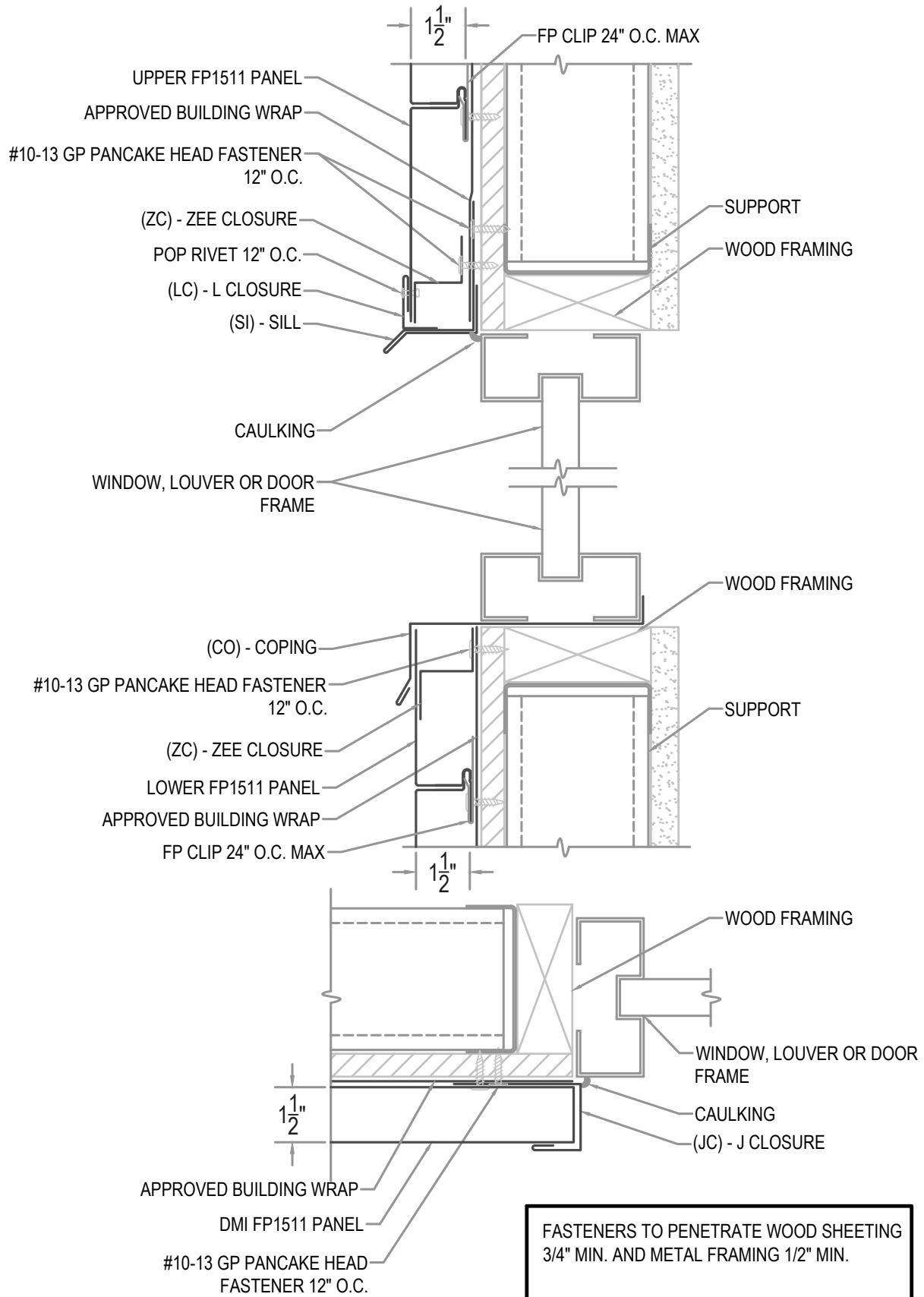
FP15-H-05-00

Issue/Rev Date:

03/17

Scale:

3"=1'-0"



OPENING HEAD, SILL AND JAMB

• **PROVEN** • **DEPENDABLE** • **SUSTAINABLE** •  
**METAL ENVELOPE SYSTEMS SINCE 1988**

WWW.DMIMETALS.COM

Detail:

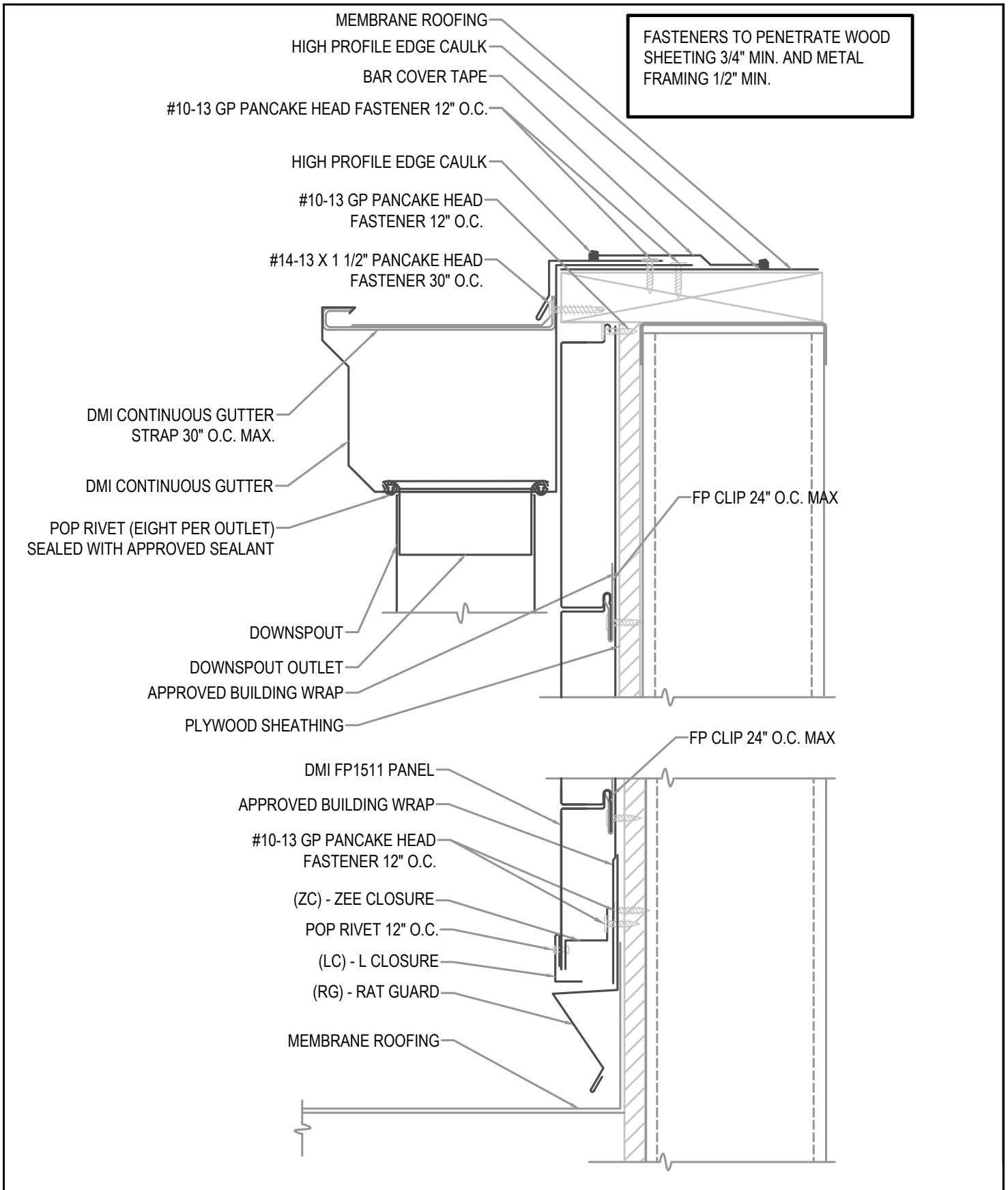
FP15-H-06-00

Issue/Rev Date:

03/17

Scale:

3"=1'-0"



FASTENERS TO PENETRATE WOOD SHEETING 3/4" MIN. AND METAL FRAMING 1/2" MIN.



**WALL SECTION AT MEMBRANE ROOF**

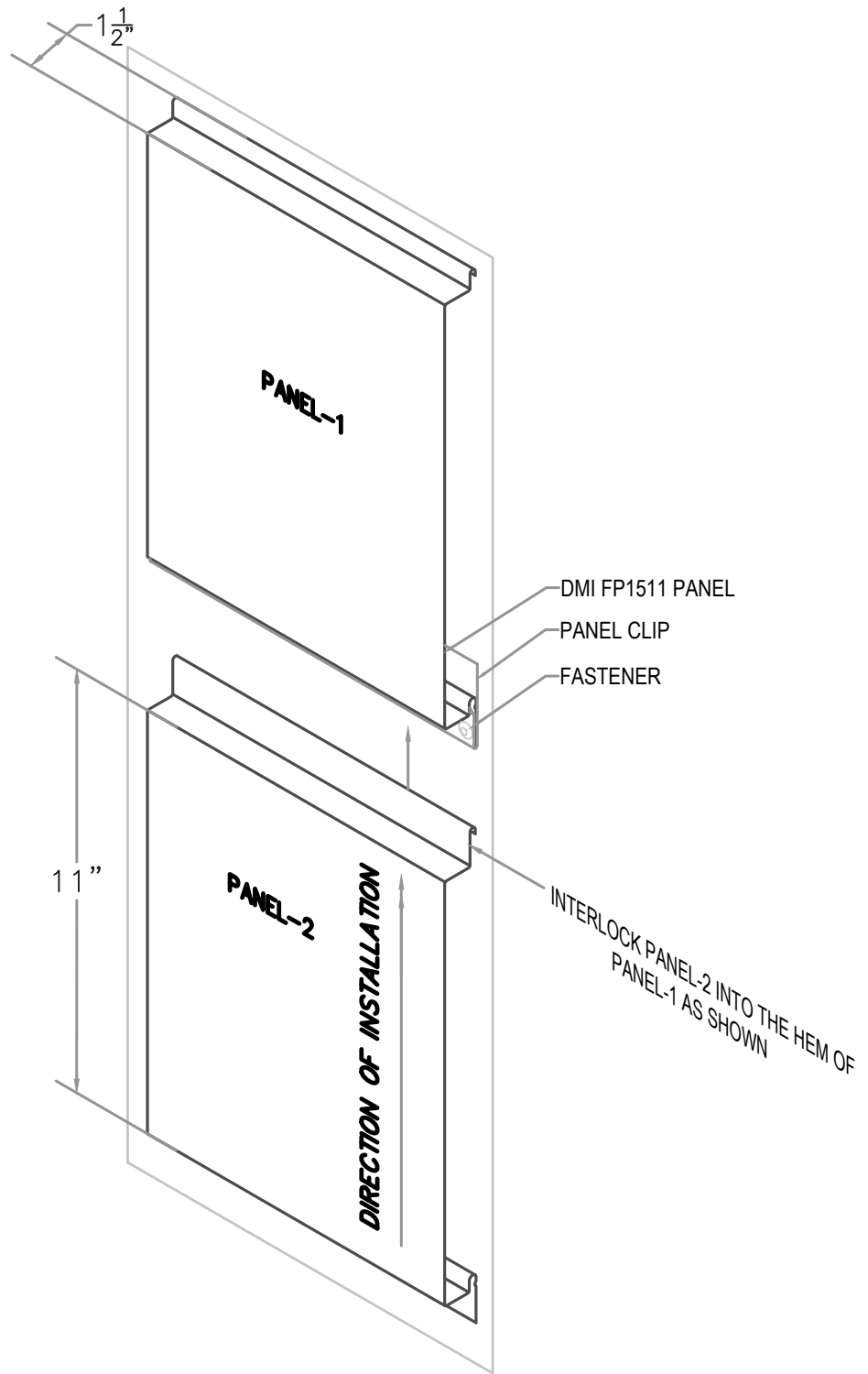
• **PROVEN** • **DEPENDABLE** • **SUSTAINABLE** •

**METAL ENVELOPE SYSTEMS SINCE 1988**

[WWW.DMIMETALS.COM](http://WWW.DMIMETALS.COM)

Detail: **FP15-H-07-00**

Issue/Rev Date: **03/17** Scale: **3"=1'-0"**



PANEL INSTALLATION

• **PROVEN** • **DEPENDABLE** • **SUSTAINABLE** •  
**METAL ENVELOPE SYSTEMS SINCE 1988**

WWW.DMIMETALS.COM

Detail:

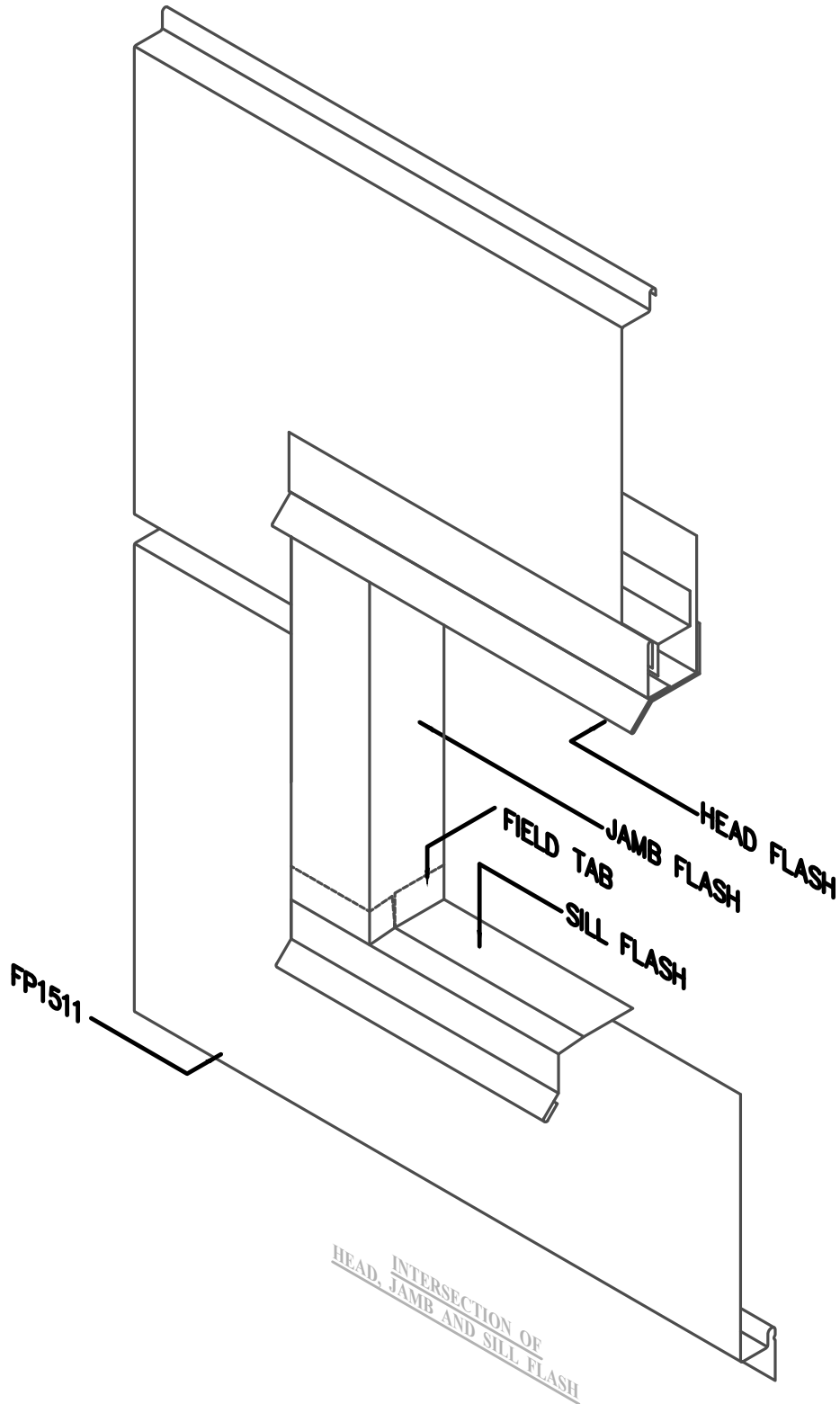
FP15-H-08-00

Issue/Rev Date:

03/17

Scale:

3"=1'-0"



ISO HEAD, SILL AND JAMB

• **PROVEN** • **DEPENDABLE** • **SUSTAINABLE** •  
**METAL ENVELOPE SYSTEMS SINCE 1988**

[WWW.DMIMETALS.COM](http://WWW.DMIMETALS.COM)

Detail:

FP15-H-09-00

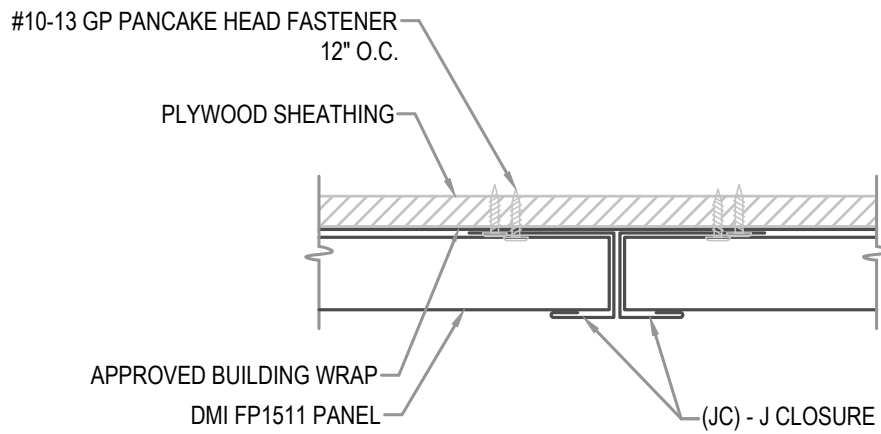
Issue/Rev Date:

03/17

Scale:

3"=1'-0"

FASTENERS TO PENETRATE WOOD SHEETING  
3/4" MIN. AND METAL FRAMING 1/2" MIN.



PANEL LAP

• **PROVEN** • **DEPENDABLE** • **SUSTAINABLE** •  
**METAL ENVELOPE SYSTEMS SINCE 1988**

WWW.DMIMETALS.COM

Detail:

FP15-H-10-00

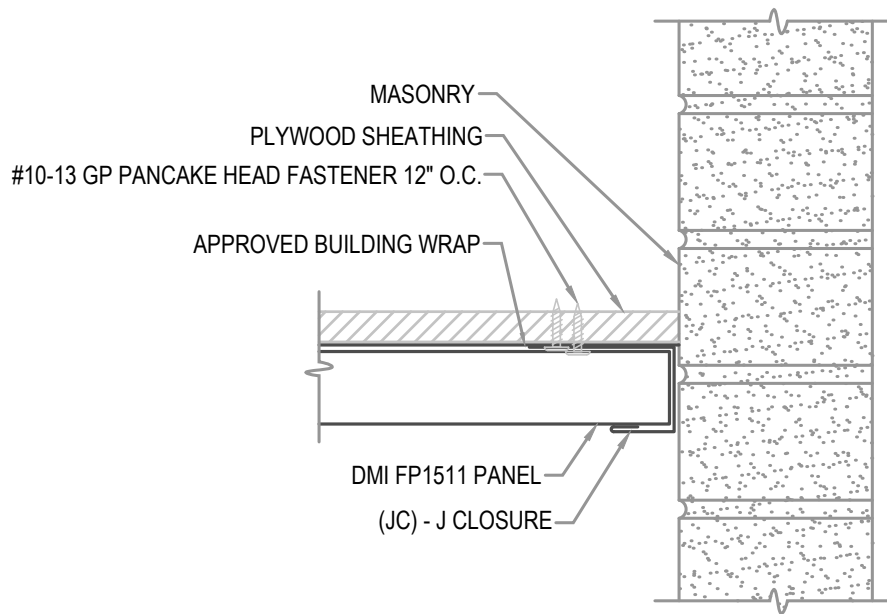
Issue/Rev Date:

03/17

Scale:

3"=1'-0"

FASTENERS TO PENETRATE WOOD SHEETING  
3/4" MIN. AND METAL FRAMING 1/2" MIN.



WALL PANEL END

Detail:

FP15-H-11-00

• **PROVEN** • **DEPENDABLE** • **SUSTAINABLE** •  
**METAL ENVELOPE SYSTEMS SINCE 1988**

Issue/Rev Date:

03/17

Scale:

3"=1'-0"



WWW.DMIMETALS.COM