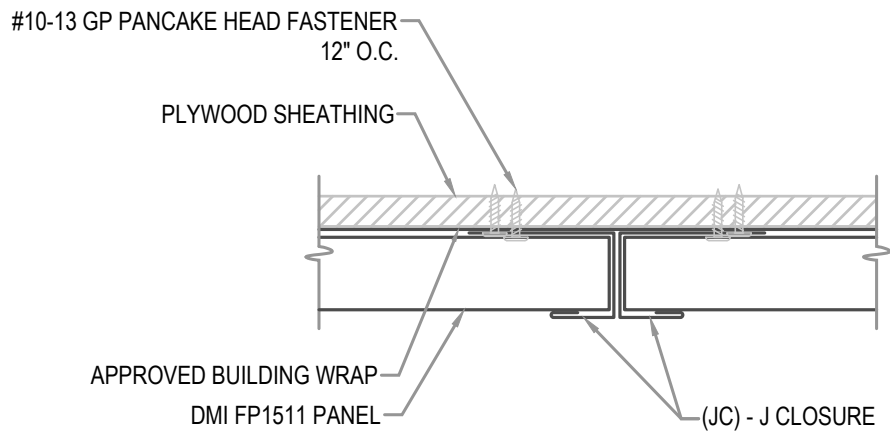


FASTENERS TO PENETRATE WOOD SHEETING
3/4" MIN. AND METAL FRAMING 1/2" MIN.



PANEL LAP

• **PROVEN** • **DEPENDABLE** • **SUSTAINABLE** •
METAL ENVELOPE SYSTEMS SINCE 1988

WWW.DMIMETALS.COM

Detail:

FP15-H-10-00

Issue/Rev Date:

03/17

Scale:

3"=1'-0"