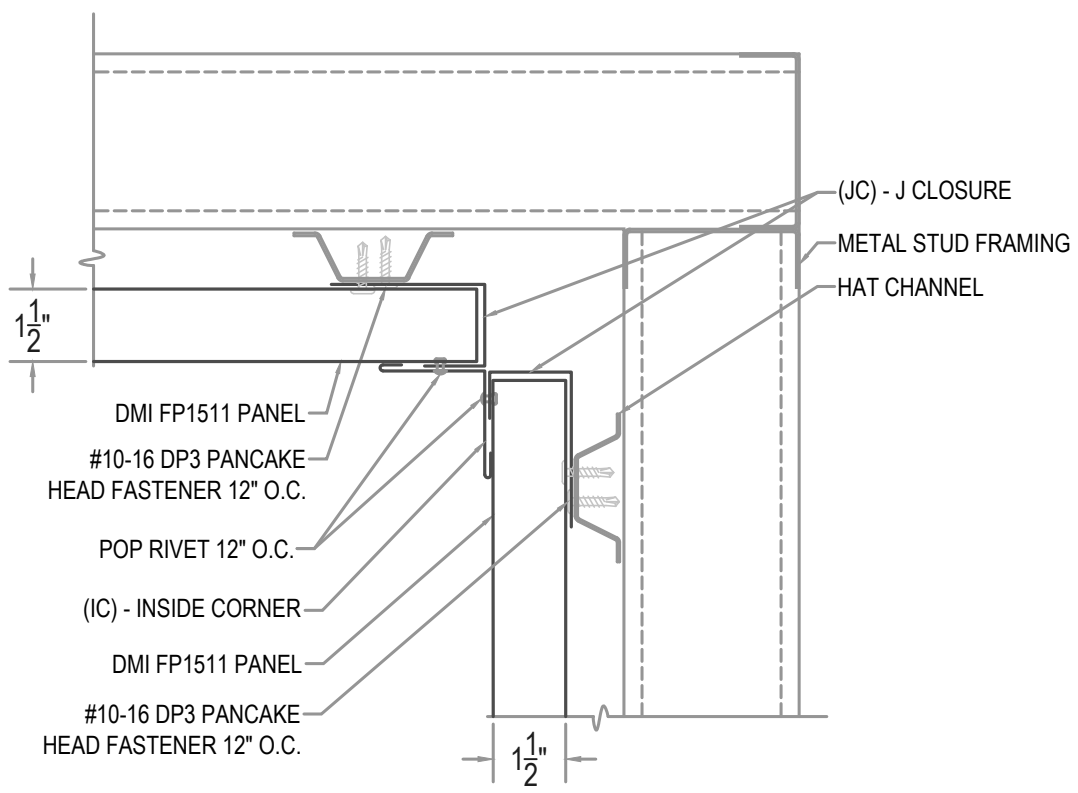


FASTENERS TO PENETRATE WOOD SHEETING
3/4" MIN. AND METAL FRAMING 1/2" MIN.



INSIDE CORNER

• **PROVEN** • **DEPENDABLE** • **SUSTAINABLE** •
METAL ENVELOPE SYSTEMS SINCE 1988
WWW.DMIMETALS.COM

Detail:
FP15-H-03-01

Issue/Rev Date: **03/17** Scale: **3"=1'-0"**