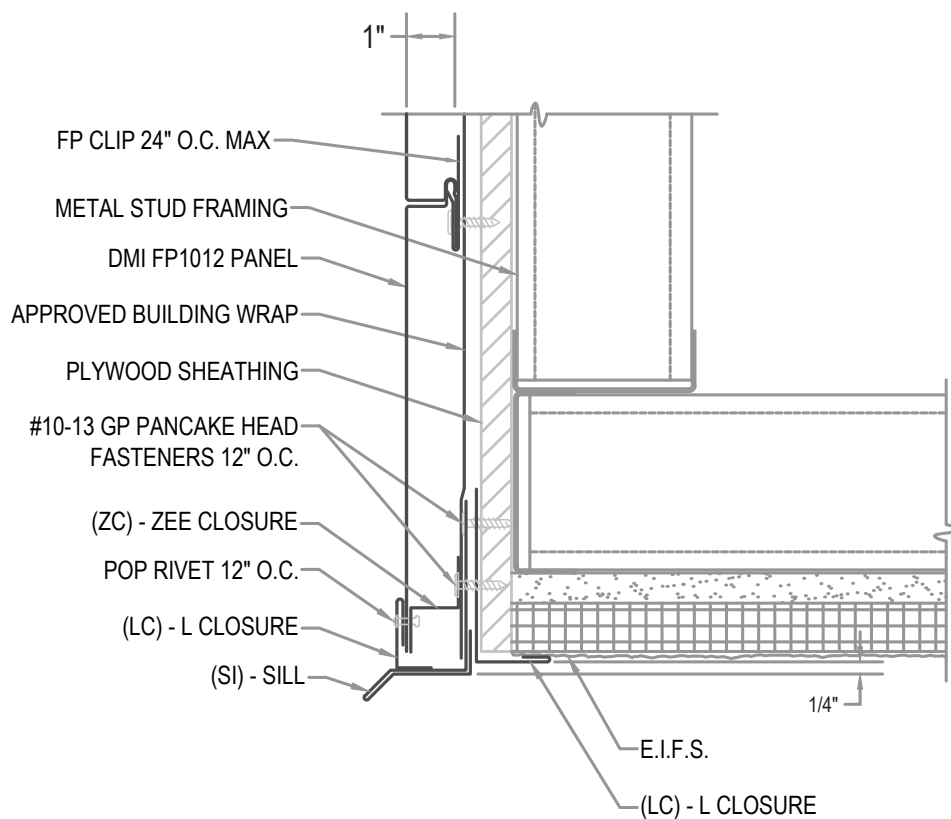


FASTENERS TO PENETRATE WOOD SHEETING  
3/4" MIN. AND METAL FRAMING 1/2" MIN.



WALL PANEL W/ SILL (EIFS SOFFIT)

• **PROVEN** • **DEPENDABLE** • **SUSTAINABLE** •  
**METAL ENVELOPE SYSTEMS SINCE 1988**

WWW.DMIMETALS.COM

Detail:

FP10-H-02-00

Issue/Rev Date:

03/17

Scale:

3"=1'-0"