

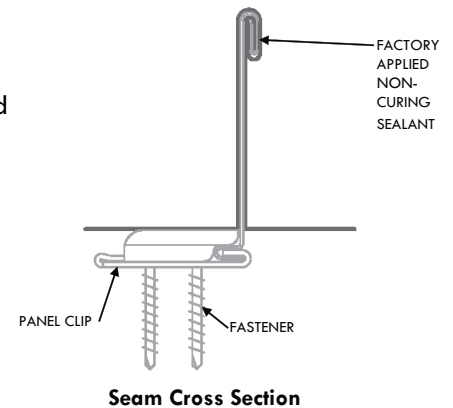
DOUBLE-LOCK DL25 is a structural panel that is mechanically seamed during installation. The panel is an integral interlocking system by design that installs in one direction from a given starting point. A double male starter panel is available (for a minimal set-up fee) and may be installed in the middle of a roof area to achieve a symmetrical layout. DOUBLE-LOCK utilizes the traditional SMACNA standing seam "double-lock" plate.

Uses & Applications

Product uses include low to high slope roofing, vertical fascia, equipment screens, mansards, and wall panels. This system may also be installed on tapered roof areas.

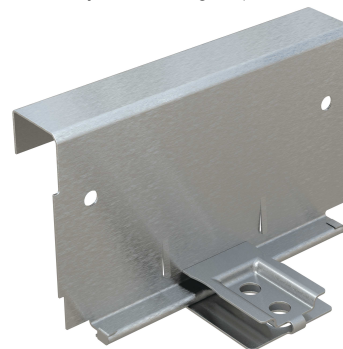
Advantages

- Factory Applied Non-Curing Sealant - for superior watertightness
- SMACNA Seam Design: A traditional and historical aesthetic appearance
- Mechanically seamed - may be installed on low slope applications down to 1/2:12 slope
- Expansion Clips - allows for thermal expansion and contraction
- Continuous Roll Formed Lengths - eliminates need for panel lap joints (4' min. panel lengths)
- Total System Warranties available - for total confidence



Performance Tested

- UL-580 Wind Uplift
- ASTM E1592 Uniform Static Air Pressure
- ASTM E1646 Water Penetration
- ASTM E1680 Air Leakage



**Low Floating
Expansion Clip**

Please consult DMI for applicability of test reports for your project.

800.828.1510 ■ www.dmimetals.com ■ sales@dmimetals.com

PROVEN. DEPENDABLE. SUSTAINABLE.

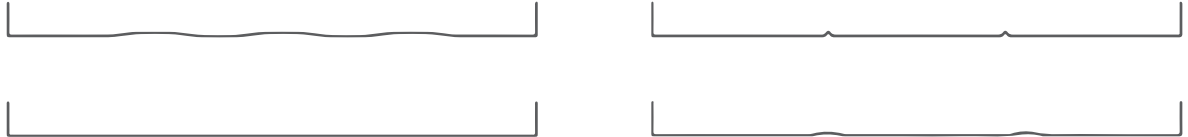
METAL ENVELOPE SYSTEMS SINCE 1988

DOUBLE-LOCK DL25



Project Name: _____
 Architect: _____
 Installing Contractor: _____
 General Contractor: _____
 Specification Section: _____

Stiffener Profile



DynaClad® PVDF Color Chart

PUTTY SRI = 77	SANDSTONE SRI = 77	DOVE GREY SRI = 61	PATINA COPPER SRI = 58	BRITE RED* SRI = 44
BEIGE SRI = 53	STONE SRI = 49	SLATE GREY SRI = 47	TERRA COTTA SRI = 43	METALLIC SILVER SRI = 53
MUSKET GREY SRI = 35	SEAPORT SRI = 35	COLONIAL RED SRI = 34	SLATE BLUE SRI = 34	CHAMPAGNE SRI = 51
BURGUNDY SRI = 34	HEMLOCK GREEN SRI = 31	LEAF GREEN SRI = 31	CHARCOAL GREY SRI = 31	METALLIC COPPER SRI = 49
SPARTAN BRONZE SRI = 30	CLASSIC BRONZE SRI = 29	MATTE BLACK SRI = 29	EVERGREEN SRI = 28	AGED COPPER SRI = 43
DARK BRONZE SRI = 27	ROYAL BLUE SRI = 27	HARTFORD GREEN SRI = 26	BROWN SRI = 25	WEATHERED ZINC SRI = 37

Metallic Colors †
Premium Colors **

Custom Colors Available

Colors shown are samples and may vary slightly from actual material. Please consult DMI Color Chart for stocking color availability.

†Metallic colors are directionally sensitive and therefore entire roof areas should be ordered at once time to ensure uniformity.

Double Male Panel is not available in Metallic Colors.

*Brite Red has a clear coat. **Premium colors carry an upcharge.

Panel Width

12"
16"

Clip

Low Floating
High Floating
Fixed
Long Fixed (Custom Application)

Substrate

24 ga. Galvalume®
22 ga. Galvalume®
.032 Aluminum
.040 Aluminum

Embossed: _____

Consult DMI for minimum quantities, upcharges, set up fees and extended lead times

Standard Finishes

DynaClad® PVDF: _____
Acrylic Coated Galvalume (Acrylume®)
Clear Anodized Aluminum

Premium Finishes*

DynaClad® Metallic PVDF: _____
DynaClad® Brite Red PVDF
DynaClad® Cobalt Blue PVDF
DynaClad® Standard Color PVDF w/ Clearcoat: _____
DynaClad® Premium Color PVDF w/ Clearcoat: _____
Custom Color: _____

*Premium Colors subject to minimum quantities, extended lead times and upcharges. Consult DMI for details.

Warranty

Finish

DynaClad® Paint Finish
Galvalume® 20 Year - 6 Month (Substrate)
Aluminum Sheet 2 Year (Substrate)

Watertight

DynaClad® Metal Roofing System: _____
DynaClad® Metal Roofing System NDL: _____

Since 1988 Dimensional Metals, Inc. (DMI) has specialized in the manufacturing of architectural metal roof and wall panel systems as well as fabricated architectural sheet metal for the construction industry. We are backed by decades of proven metal envelope design, dependable Technical Field Services, and an Engineering Department delivering sustainable solutions. You are sure to find the product that will best enhance your design.

800.828.1510 ■ www.dmimetals.com ■ sales@dmimetals.com

PROVEN. DEPENDABLE. SUSTAINABLE.

METAL ENVELOPE SYSTEMS SINCE 1988