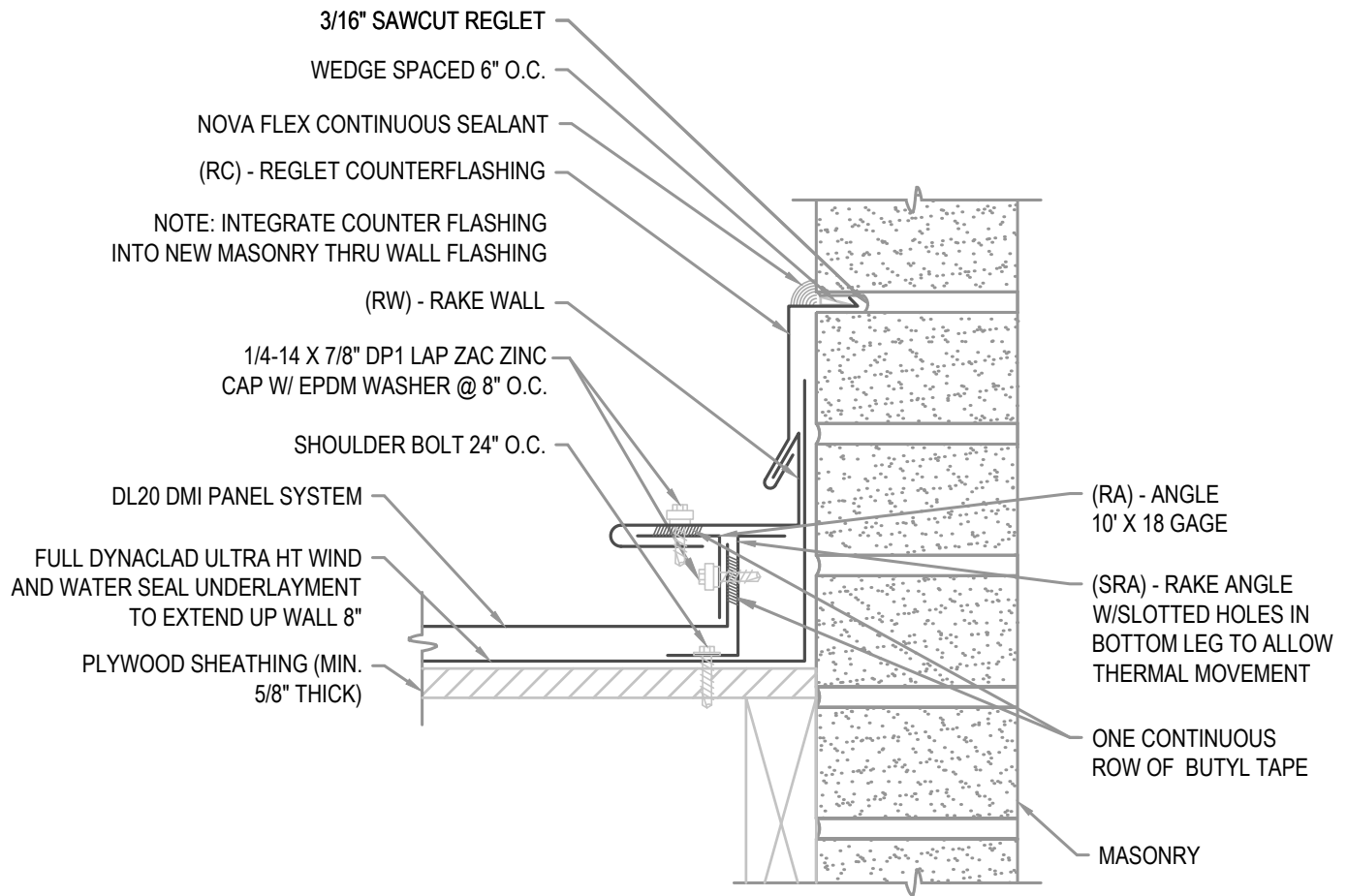


NOTE

REGLET FLASHING TO BE INSTALLED BELOW ALL WEEP HOLES.
SURFACED MOUNT COUNTERFLASHINGS NOT ACCEPTABLE.

FLASHING LAP NOTE

LAP RAKE WALL REGLET 2" MINIMUM WITH 2 ROWS OF BUTYL SEALANT.



HYDROSTATIC RAKE WALL

• PROVEN • DEPENDABLE • SUSTAINABLE •
METAL ENVELOPE SYSTEMS SINCE 1988

WWW.DMIMETALS.COM

Detail:

DL20 05-02-WH

Issue/Rev Date:

01/17

Scale:

3"=1'-0"