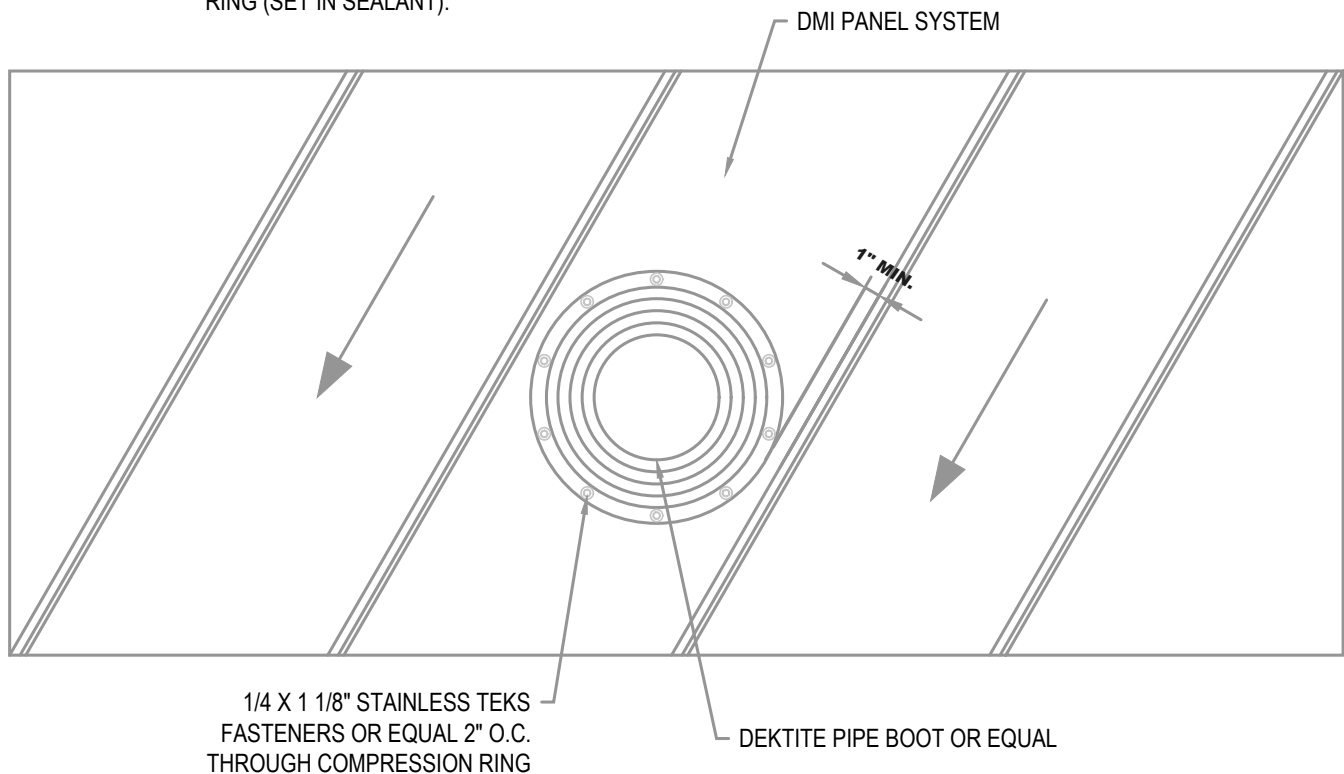
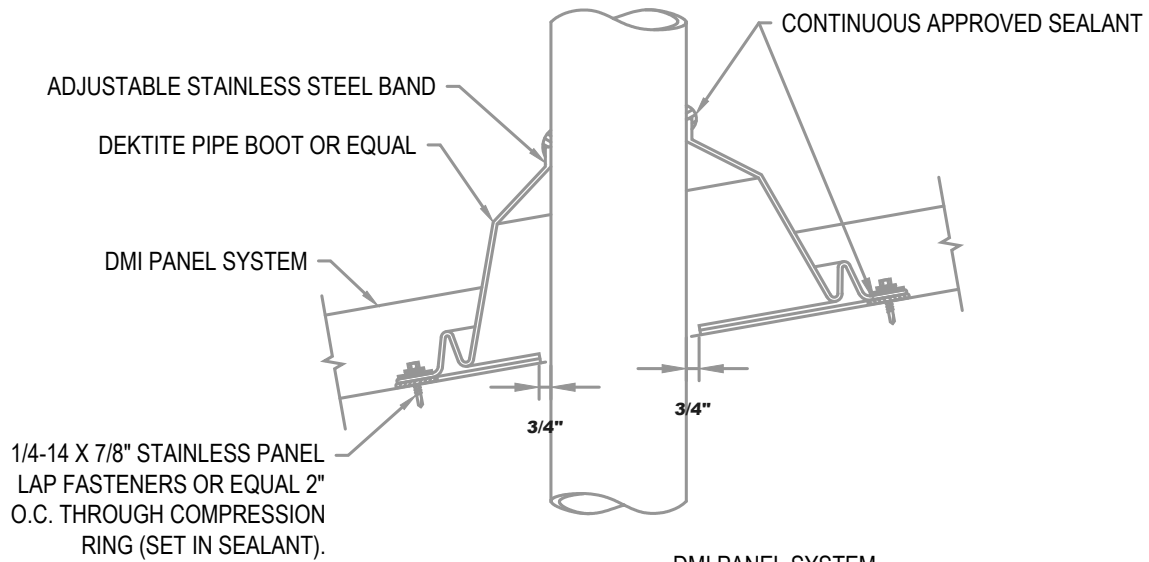


**NOTE**

DO NOT ATTACH INTO SOLID SUBSTRATE BELOW.  
 BOOT SHALL NOT INTERSECT STANDING SEAM VERTICAL LEG. INSTALL IN FLAT AREA OF PANEL ONLY.  
 IF USING A SQUARE BOOT DETAIL BE SURE TO SET BOOT IN A DIAGONAL OR DIAMOND TO ALLOW WATER FLOW.



**ARCHITECTURAL PIPE BOOT DETAIL**

• **PROVEN** • **DEPENDABLE** • **SUSTAINABLE** •  
**METAL ENVELOPE SYSTEMS SINCE 1988**

WWW.DMIMETALS.COM

Detail:

**DL20 10-00-W**

Issue/Rev Date:

**01/17**

Scale:

**3"=1'-0"**