

PANEL EXPANSION NOTE

FOR STEEL PANELS < 40' WITH A 1 1/2" TURN DOWN AND 1 1/2" HEM CLEARANCE:

1. 1/4" FOR INSTALLATION TEMPERATURE BELOW 30 DEGREES FARENHEIT
2. 1/2" FOR INSTALLATION TEMPERATURE ABOVE 30 DEGREES FARENHEIT..

FOR STEEL PANELS > 40' WITH A 2" TURN DOWN AND 2" HEM CLEARANCE:

1. 1/4" FOR INSTALLATION TEMPERATURE BELOW 30 DEGREES FARENHEIT.
2. 1/2" FOR INSTALLATION TEMPERATURE ABOVE 30 DEGREES FARENHEIT.

FOR ALUMINUM PANELS - CONTACT DMI

GUTTER NOTES

LAP GUTTER 3" MIN W/ 2 ROWS OF APPROVED SEALANT AND POP RIVET JOINT 2" O.C. SET IN AND CAP POP RIVETS IN APPROVED SEALANT.

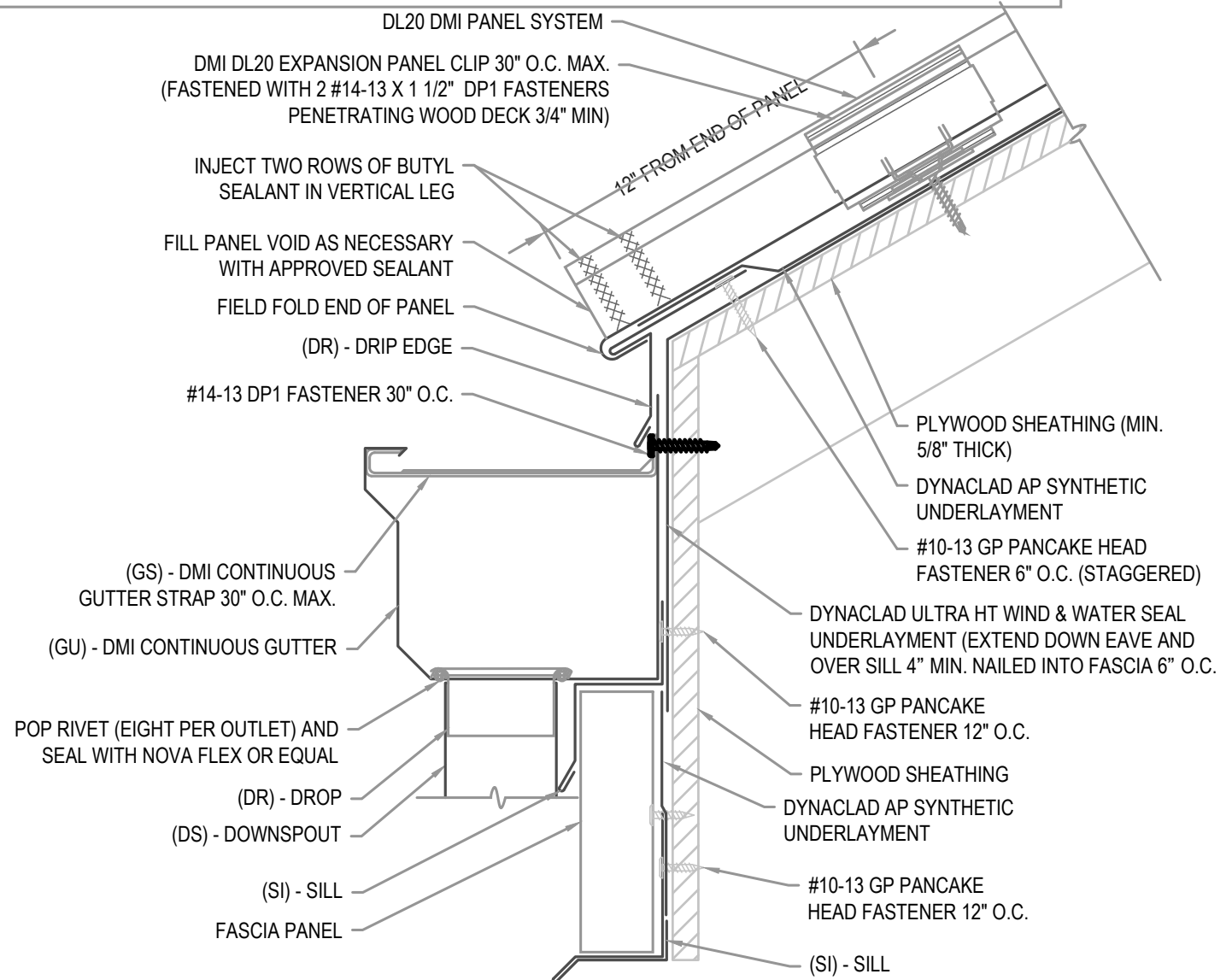
EXPANSION JOINT REQUIRED FOR EVERY 50'-0" OF GUTTER (REFER TO MISCELLANEOUS DETAILS)

FLASHING LAP NOTE

LAP FLASHINGS 2" MIN W/ 1 ROW OF BUTYL SEALANT.

FULL ICE AND WATER UNDERLAYMENT NOTE

FOR PANEL AREAS WITH FULL ICE AND WATER UNDERLAYMENT: STRIP IN DRIP EDGE WITH 6" STRIP OF APPROVED ICE AND WATER UNDERLAYMENT.



ARCHITECTURAL EAVE W/ GUTTER

• PROVEN • DEPENDABLE • SUSTAINABLE •
METAL ENVELOPE SYSTEMS SINCE 1988

WWW.DMIMETALS.COM

Detail:
DL20 01-02-W

Issue/Rev Date: **01/17** Scale: **3"=1'-0"**