

**PANEL EXPANSION NOTE**

FOR STEEL PANELS < 40' WITH A 1 1/2" TURN DOWN AND 1 1/2" HEM CLEARANCE:

1. 1/4" FOR INSTALLATION TEMPERATURE BELOW 30 DEGREES FARENHEIT
2. 1/2" FOR INSTALLATION TEMPERATURE ABOVE 30 DEGREES FARENHEIT..

FOR STEEL PANELS > 40' WITH A 2" TURN DOWN AND 2" HEM CLEARANCE:

1. 1/4" FOR INSTALLATION TEMPERATURE BELOW 30 DEGREES FARENHEIT.
2. 1/2" FOR INSTALLATION TEMPERATURE ABOVE 30 DEGREES FARENHEIT.

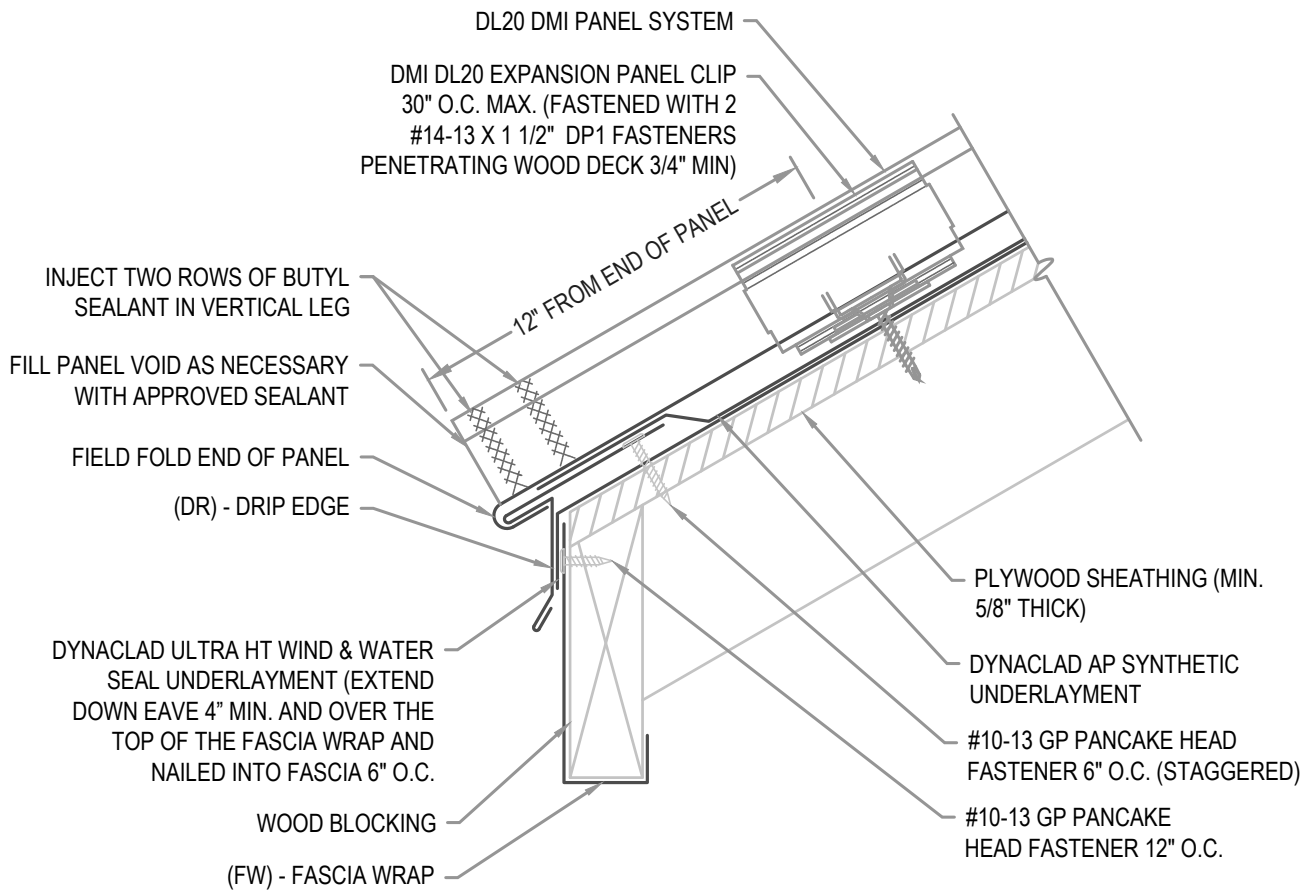
FOR ALUMINUM PANELS - CONTACT DMI

**FLASHING LAP NOTE**

LAP FLASHINGS 2" MIN W/ 1 ROW OF BUTYL SEALANT.

**FULL ICE AND WATER UNDERLAYMENT NOTE**

FOR PANEL AREAS WITH FULL ICE AND WATER UNDERLAYMENT: STRIP IN DRIP EDGE WITH 6" STRIP OF APPROVED ICE AND WATER UNDERLAYMENT.



**ARCHITECTURAL EAVE W/ FASCIA WRAP**

● **PROVEN** ● **DEPENDABLE** ● **SUSTAINABLE** ●  
**METAL ENVELOPE SYSTEMS SINCE 1988**

WWW.DMIMETALS.COM

Detail:

**DL20 01-01-W**

Issue/Rev Date:

**01/17**

Scale:

**3"=1'-0"**