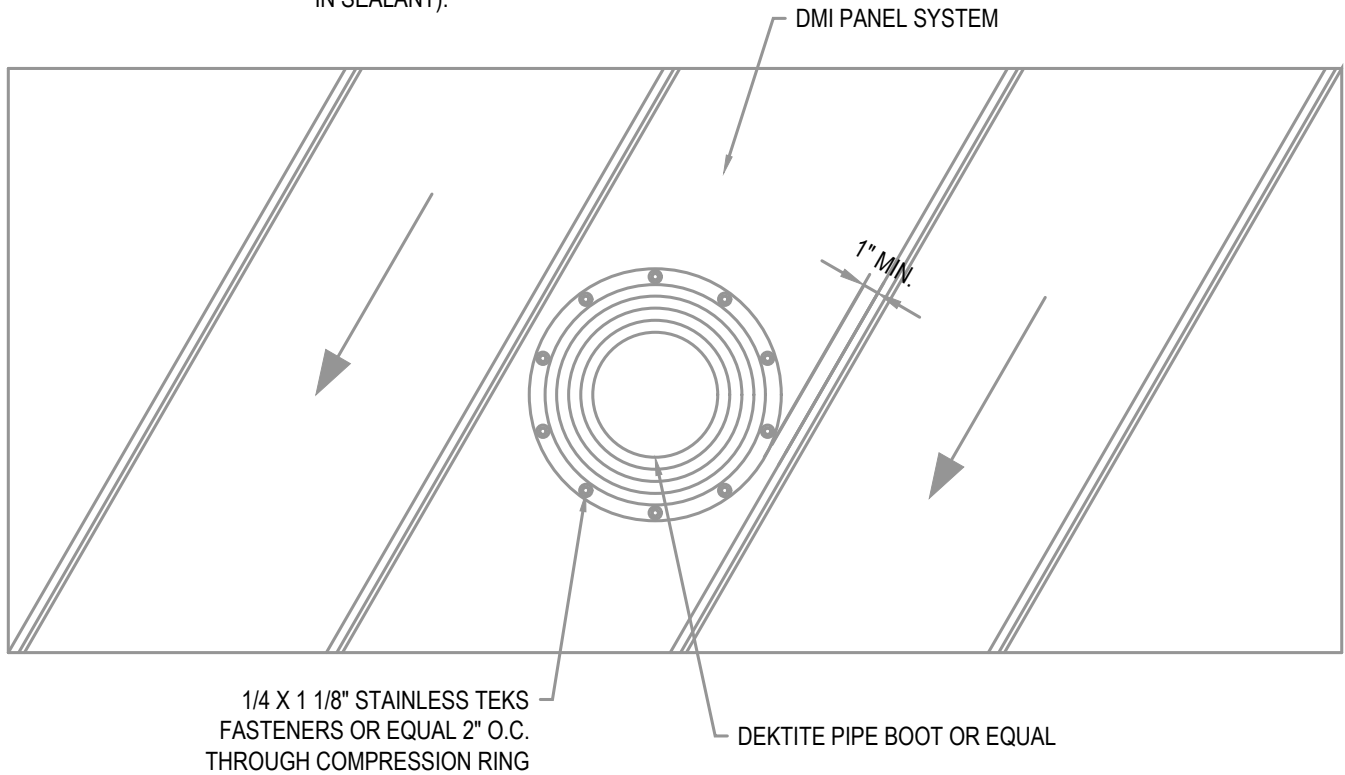
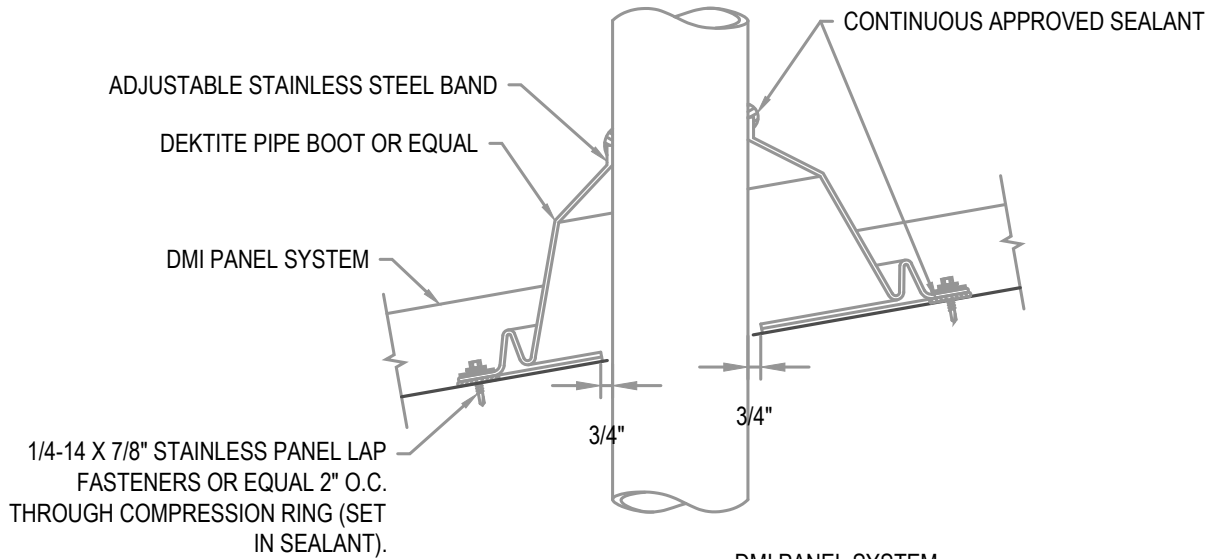


**NOTE**

DO NOT ATTACH INTO SOLID SUBSTRATE BELOW.  
BOOT SHALL NOT INTERSECT STANDING SEAM VERTICAL LEG. INSTALL IN FLAT AREA OF PANEL ONLY.  
IF USING A SQUARE BOOT DETAIL BE SURE TO SET BOOT IN A DIAGONAL OR DIAMOND TO ALLOW WATER FLOW.



**ARCHITECTURAL PIPE BOOT DETAIL**

**• PROVEN • DEPENDABLE • SUSTAINABLE •**  
**METAL ENVELOPE SYSTEMS SINCE 1988**

[WWW.DMIMETALS.COM](http://WWW.DMIMETALS.COM)

Detail:

**DL15 11-00-IA**

Issue/Rev Date:

**01/17**

Scale:

**3"=1'-0"**