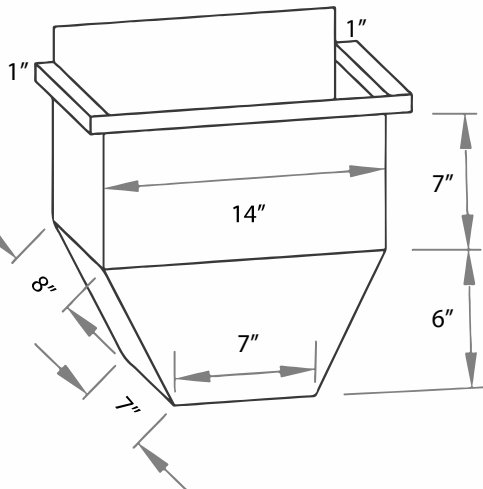
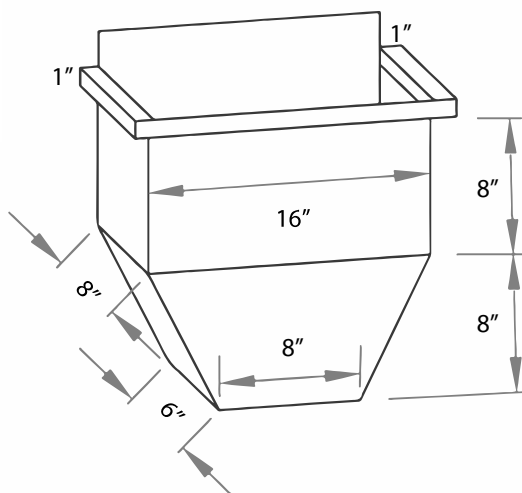




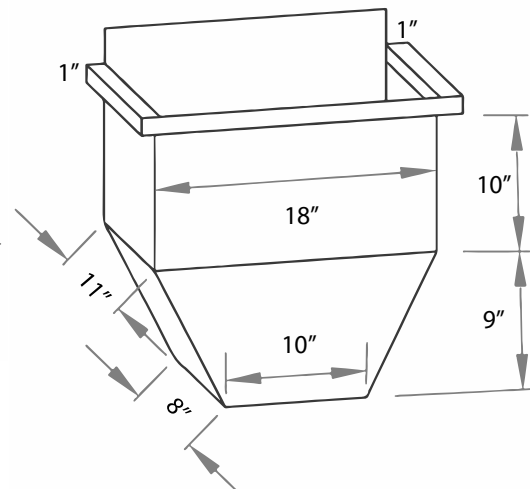
DynaClad® Water Control Conductor Head



CH-1



CH-2



CH-3

NOTES

If you need a custom size - see Custom Conductor Head Order Form.
Thru-wall purchased separately - see Thru-Wall Order Form.

COMMENTS

QUANTITY

DROP SIZE

_____ X _____

MATERIAL

Aluminum: _____
Galvalume®: _____
HDG-90: 20 ga. _____
Copper: _____
RHEINZINK®: _____

FINISH

DynaClad® PVDF: _____
DynaClad® PVDF w/ Clear Coat*: _____
Acrylic Coated Galvalume® (ACRYLUME®)
RHEINZINK® Patina: _____
Clear Anodized Aluminum
Custom Color: _____

SEE DMIMETALS.COM FOR DOWNSPOUT ORDER FORMS.

*Premium Colors subject to minimum quantities, extended lead times and upcharges. Consult DMI for details.

PROJECT NAME

P.O. NO.

CUSTOMER APPROVAL

Material is to be fabricated to dimensions as listed on this form. Responsibility of measurement accuracy and completeness is by the submitter. You are agreeing to DMI's Terms and Conditions of Sale as outlined on <http://www.dmimetals.com/termsandconditions>.

CUSTOMER

APPROVED FOR FABRICATION
APPROVED AS NOTED

PROVEN. DEPENDABLE. SUSTAINABLE.

METAL ENVELOPE SYSTEMS SINCE 1988

www.dmimetals.com

X

AUTHORIZED CUSTOMER SIGNATURE

DATE

PRINT NAME

PHONE