

PANEL EXPANSION NOTE

FOR STEEL PANELS < 40' WITH A 1 1/2" TURN DOWN AND 1 1/2" HEM CLEARANCE:

1. 1/4" FOR INSTALLATION TEMPERATURE BELOW 30 DEGREES FARENHEIT
2. 1/2" FOR INSTALLATION TEMPERATURE ABOVE 30 DEGREES FARENHEIT..

FOR STEEL PANELS > 40' WITH A 2" TURN DOWN AND 2" HEM CLEARANCE:

1. 1/4" FOR INSTALLATION TEMPERATURE BELOW 30 DEGREES FARENHEIT.
2. 1/2" FOR INSTALLATION TEMPERATURE ABOVE 30 DEGREES FARENHEIT.

FOR ALUMINUM PANELS - CONTACT DMI

GUTTER LAP NOTE

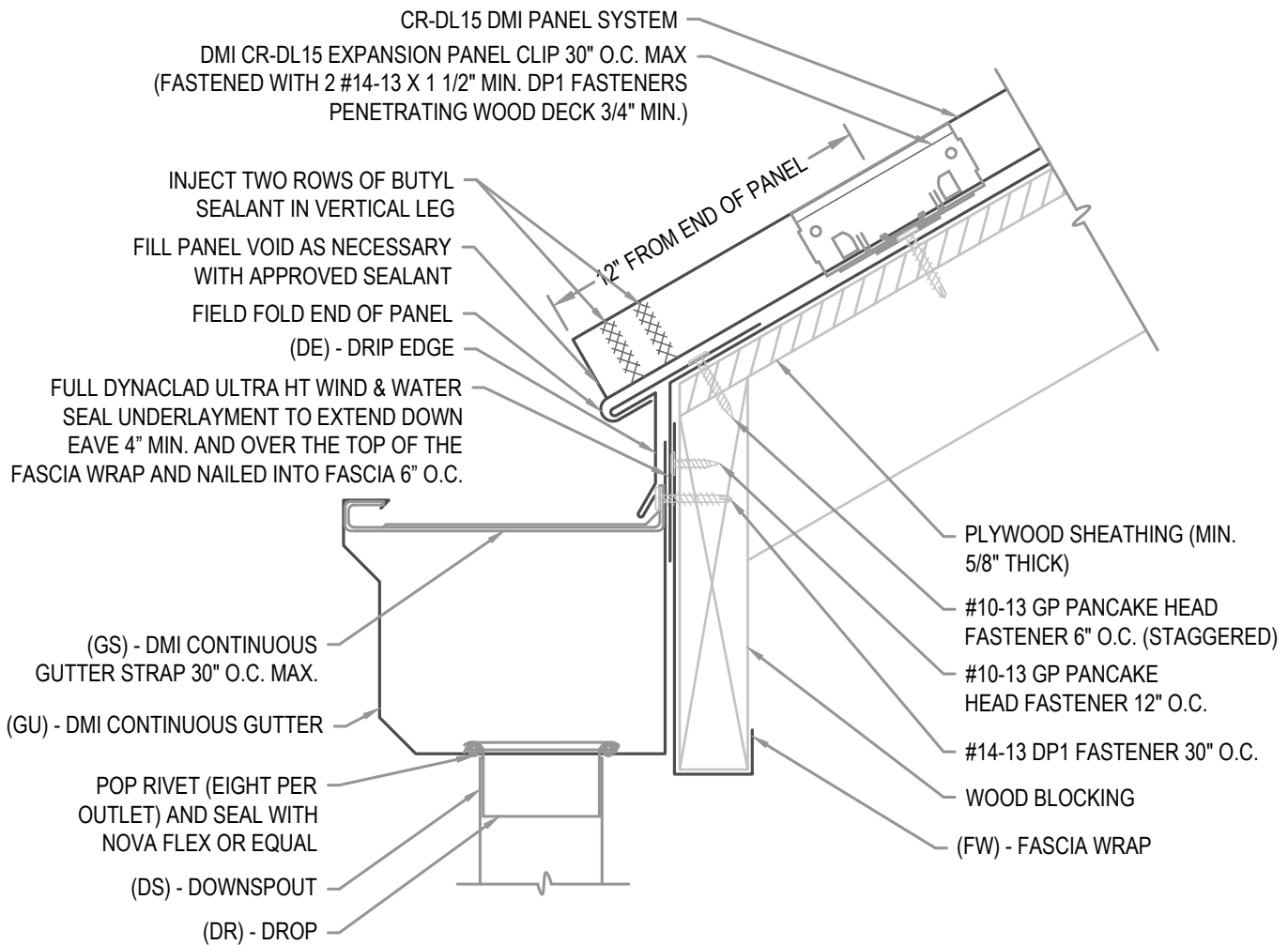
LAP GUTTER 3" MIN W/ 2 ROWS OF APPROVED SEALANT AND POP RIVET JOINT 2" O.C. SET IN AND CAP POP RIVETS IN APPROVED SEALANT.

FLASHING LAP NOTE

LAP FLASHINGS 2" MIN W/ 1 ROW OF BUTYL SEALANT.

ICE AND WATER UNDERLAYMENT NOTE

FULL ICE AND WATER UNDERLAYMENT REQUIRED. STRIP IN DRIP EDGE WITH 6" OF APPROVED ICE AND WATER UNDERLAYMENT.



ARCHITECTURAL EAVE W/ GUTTER

• PROVEN • DEPENDABLE • SUSTAINABLE •
METAL ENVELOPE SYSTEMS SINCE 1988

WWW.DMIMETALS.COM

Detail:

CRDL15 01-00-WA

Issue/Rev Date:

01/17

Scale:

3"=1'-0"

PANEL EXPANSION NOTE

FOR STEEL PANELS < 40' WITH A 1 1/2" TURN DOWN AND 1 1/2" HEM CLEARANCE:

1. 1/4" FOR INSTALLATION TEMPERATURE BELOW 30 DEGREES FARENHEIT
2. 1/2" FOR INSTALLATION TEMPERATURE ABOVE 30 DEGREES FARENHEIT..

FOR STEEL PANELS > 40' WITH A 2" TURN DOWN AND 2" HEM CLEARANCE:

1. 1/4" FOR INSTALLATION TEMPERATURE BELOW 30 DEGREES FARENHEIT.
2. 1/2" FOR INSTALLATION TEMPERATURE ABOVE 30 DEGREES FARENHEIT.

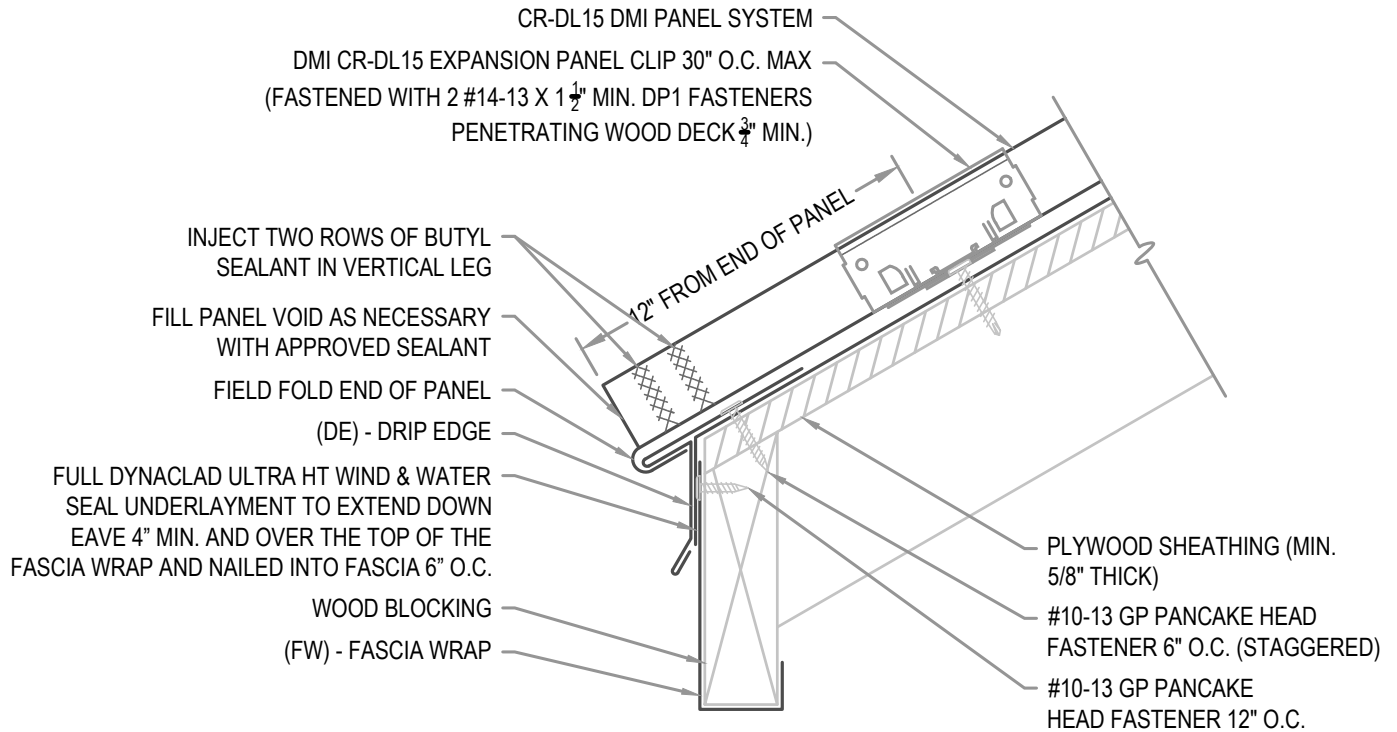
FOR ALUMINUM PANELS - CONTACT DMI

FLASHING LAP NOTE

LAP FLASHINGS 2" MIN W/ 1 ROW OF BUTYL SEALANT.

ICE AND WATER UNDERLAYMENT NOTE

FULL ICE AND WATER UNDERLAYMENT REQUIRED. STRIP IN DRIP EDGE WITH 6" OF APPROVED ICE AND WATER UNDERLAYMENT.



ARCHITECTURAL EAVE W/ FASCIA WRAP

Detail: **CRDL15 01-01-WA**

• PROVEN • DEPENDABLE • SUSTAINABLE •
METAL ENVELOPE SYSTEMS SINCE 1988

Issue/Rev Date:

Scale:

01/17

3"=1'-0"

WWW.DMIMETALS.COM

PANEL EXPANSION NOTE

FOR STEEL PANELS < 40' WITH A 1 1/2" TURN DOWN AND 1 1/2" HEM CLEARANCE:

1. 1/4" FOR INSTALLATION TEMPERATURE BELOW 30 DEGREES FARENHEIT
2. 1/2" FOR INSTALLATION TEMPERATURE ABOVE 30 DEGREES FARENHEIT..

FOR STEEL PANELS > 40' WITH A 2" TURN DOWN AND 2" HEM CLEARANCE:

1. 1/4" FOR INSTALLATION TEMPERATURE BELOW 30 DEGREES FARENHEIT.
2. 1/2" FOR INSTALLATION TEMPERATURE ABOVE 30 DEGREES FARENHEIT.

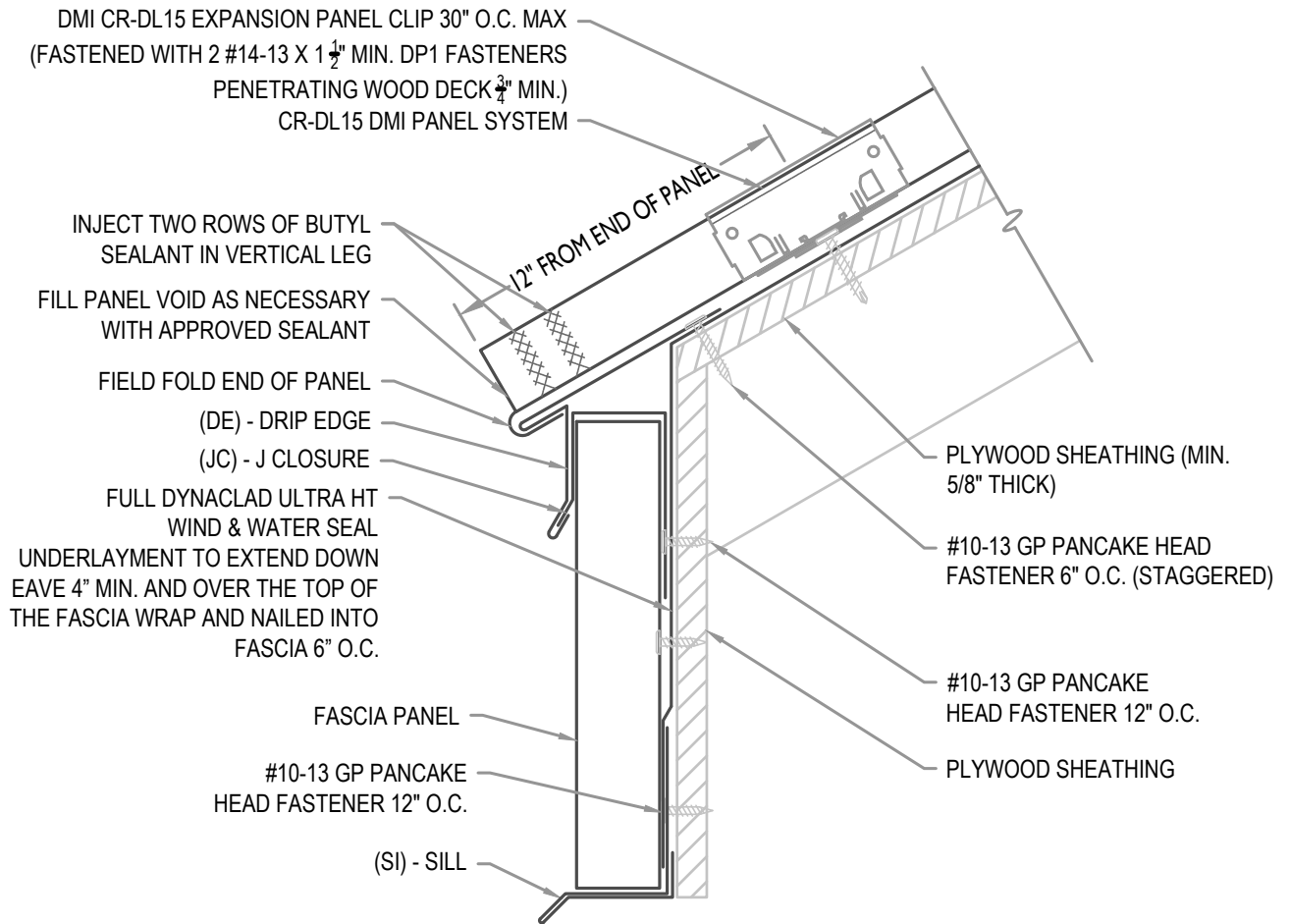
FOR ALUMINUM PANELS - CONTACT DMI

FLASHING LAP NOTE

LAP FLASHINGS 2" MIN W/ 1 ROW OF BUTYL SEALANT.

ICE AND WATER UNDERLAYMENT NOTE

FULL ICE AND WATER UNDERLAYMENT REQUIRED. STRIP IN DRIP EDGE WITH 6" OF APPROVED ICE AND WATER UNDERLAYMENT.



ARCHITECTURAL EAVE W/ FASCIA PANEL

Detail: **CRDL15 01-03-WA**

• PROVEN • DEPENDABLE • SUSTAINABLE •
METAL ENVELOPE SYSTEMS SINCE 1988

Issue/Rev Date: **01/17** Scale: **3"=1'-0"**

PANEL EXPANSION NOTE

FOR STEEL PANELS < 40' WITH A 1 1/2" TURN DOWN AND 1 1/2" HEM CLEARANCE:
 1. 1/4" FOR INSTALLATION TEMPERATURE BELOW 30 DEGREES FARENHEIT
 2. 1/2" FOR INSTALLATION TEMPERATURE ABOVE 30 DEGREES FARENHEIT..

FOR STEEL PANELS > 40' WITH A 2" TURN DOWN AND 2" HEM CLEARANCE:
 1. 1/4" FOR INSTALLATION TEMPERATURE BELOW 30 DEGREES FARENHEIT.
 2. 1/2" FOR INSTALLATION TEMPERATURE ABOVE 30 DEGREES FARENHEIT.

FOR ALUMINUM PANELS - CONTACT DMI

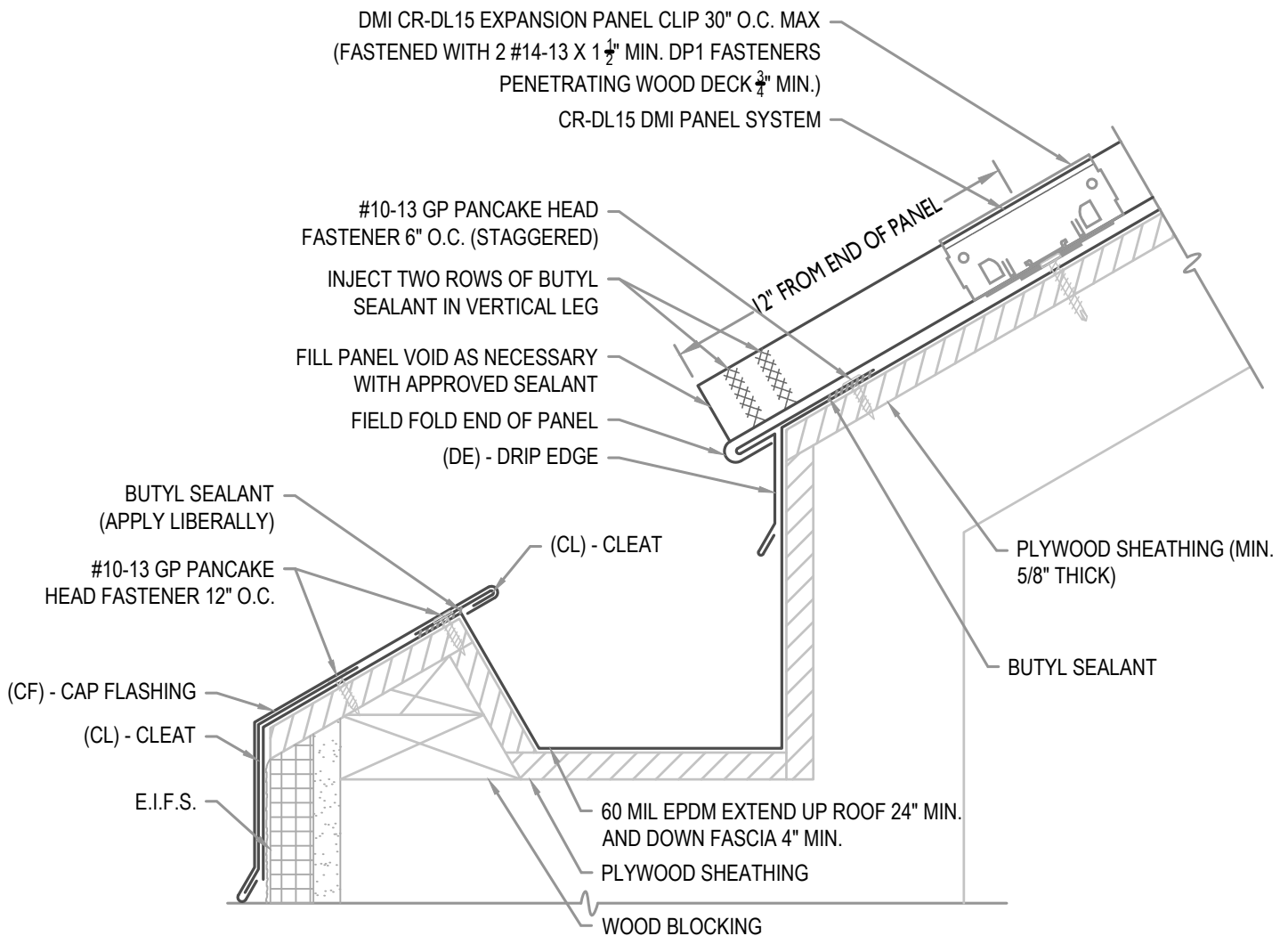
INTERIOR GUTTER DESIGN TO BE PER SMACNA GUIDELINES

FLASHING LAP NOTE

LAP FLASHINGS 2" MIN W/ 1 ROW OF BUTYL SEALANT.

ICE AND WATER UNDERLAYMENT NOTE

FULL ICE AND WATER UNDERLAYMENT REQUIRED. STRIP IN DRIP EDGE WITH 6" OF APPROVED ICE AND WATER UNDERLAYMENT.



ARCHITECTURAL EAVE W/ BUILT IN GUTTER

• **PROVEN** • **DEPENDABLE** • **SUSTAINABLE** •

METAL ENVELOPE SYSTEMS SINCE 1988

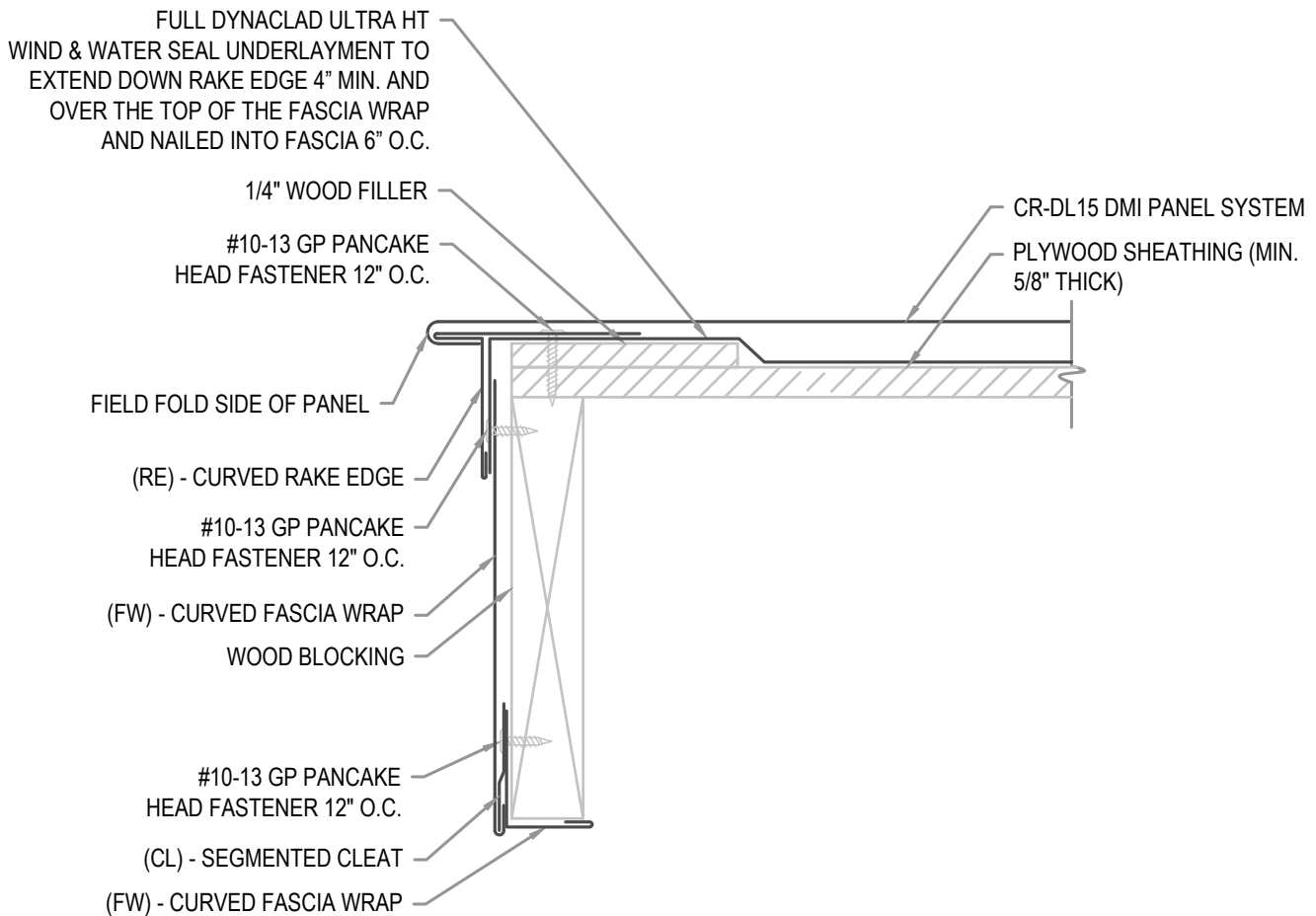
WWW.DMIMETALS.COM

Detail: **CRDL15 01-04-WA**

Issue/Rev Date: **01/17** Scale: **3"=1'-0"**

FLASHING LAP NOTE

LAP RAKE EDGE AND FASCIA 2" MINIMUM WITH 1 ROW OF BUTYL SEALANT.



ARCHITECTURAL RAKE EDGE

• **PROVEN** • **DEPENDABLE** • **SUSTAINABLE** •
METAL ENVELOPE SYSTEMS SINCE 1988

WWW.DMIMETALS.COM

Detail:
CRDL15 02-00-WA

Issue/Rev Date:

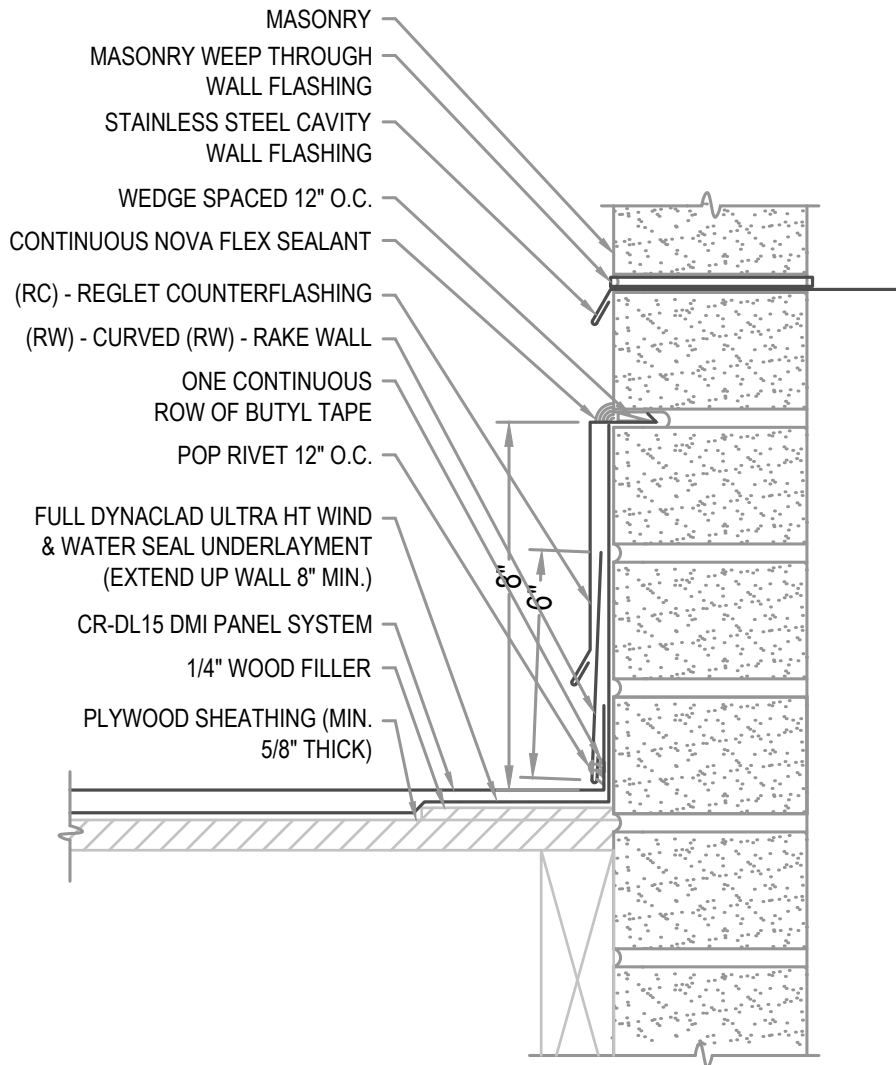
01/17

Scale:

3"=1'-0"

NOTE
 REGLET FLASHING TO BE INSTALLED BELOW ALL WEEP HOLES.
 SURFACED MOUNT COUNTERFLASHINGS NOT ACCEPTABLE..

FLASHING LAP NOTE
 LAP (RW) - RAKE WALL REGLET 2" MINIMUM WITH 2 ROWS OF BUTYL SEALANT.



ARCHITECTURAL RAKE WALL

• PROVEN • DEPENDABLE • SUSTAINABLE •
METAL ENVELOPE SYSTEMS SINCE 1988

WWW.DMIMETALS.COM

Detail:
CRDL15 05-00-WA

Issue/Rev Date:

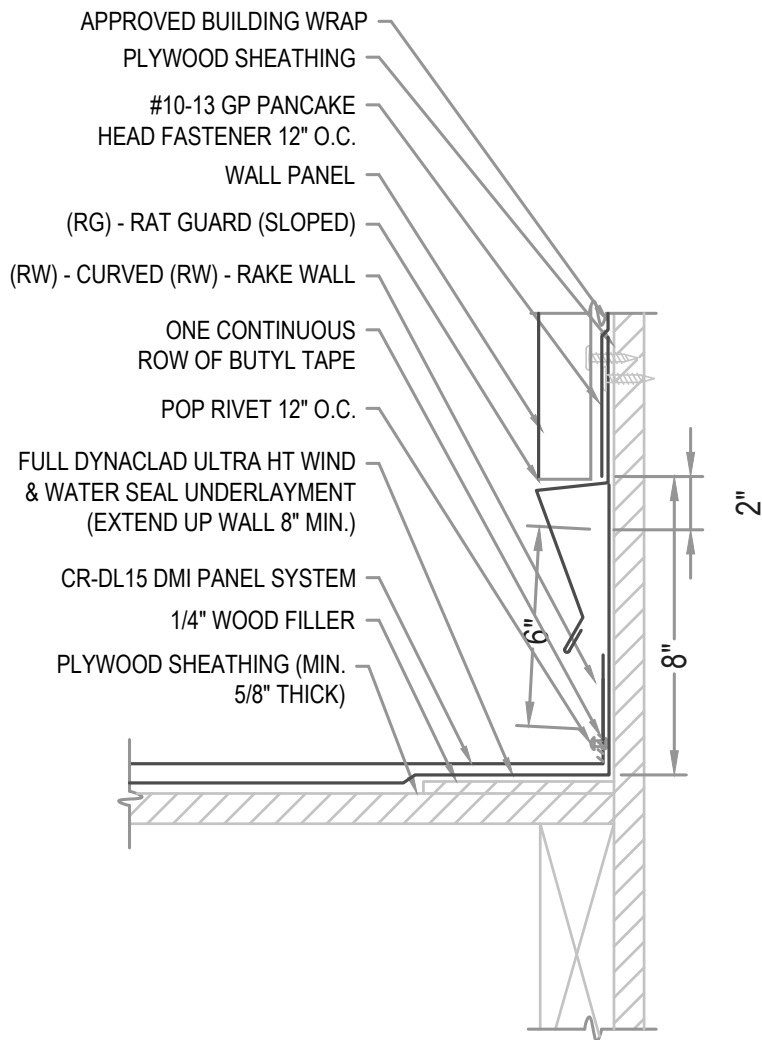
01/17

Scale:

3"=1'-0"

FLASHING LAP NOTE

LAP (RW) - RAKE WALL AND RAT GUARD (SLOPED) 2" MINIMUM WITH 2 ROWS OF BUTYL SEALANT.



ARCHITECTURAL RAKE WALL

• PROVEN • DEPENDABLE • SUSTAINABLE •
METAL ENVELOPE SYSTEMS SINCE 1988

WWW.DMIMETALS.COM

Detail:
CRDL15 05-01-WA

Issue/Rev Date:

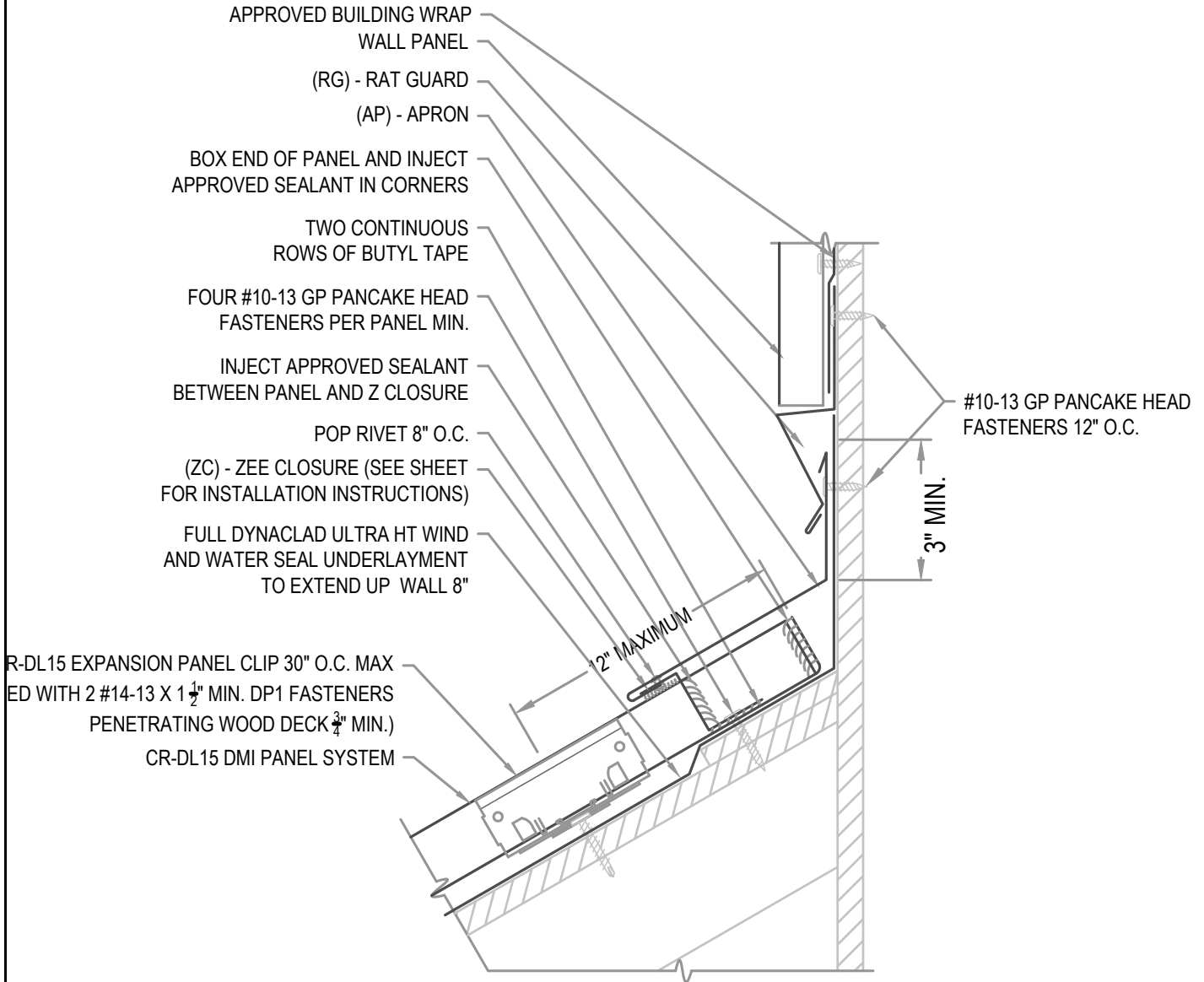
01/17

Scale:

3"=1'-0"

FLASHING LAP NOTE

LAP APRON AND RAT GUARD (SLOPED) 2" MINIMUM WITH 2 ROWS OF BUTYL SEALANT.



ARCHITECTURAL APRON W/ WALL PANEL

Detail: **CRDL15 06-00-WA**

• PROVEN • DEPENDABLE • SUSTAINABLE •
METAL ENVELOPE SYSTEMS SINCE 1988

Issue/Rev Date:

Scale:

01/17

3"=1'-0"

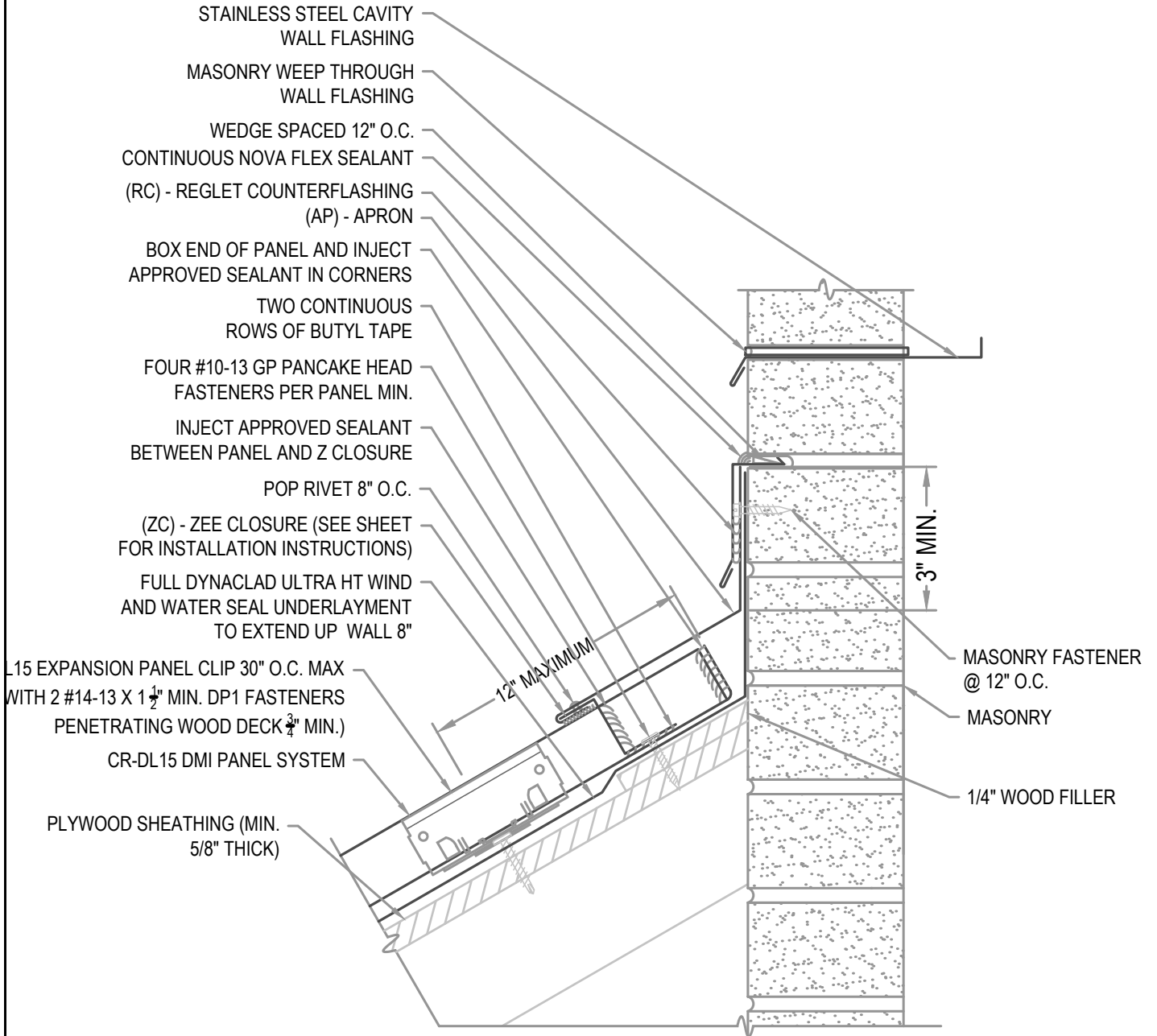
WWW.DMIMETALS.COM

NOTE

REGLET FLASHING TO BE INSTALLED BELOW ALL WEEP HOLES.
SURFACED MOUNT COUNTERFLASHINGS NOT ACCEPTABLE..

FLASHING LAP NOTE

LAP APRON AND REGLET 2" MINIMUM WITH 2 ROWS OF BUTYL SEALANT.



CR-DL15 EXPANSION PANEL CLIP 30" O.C. MAX
WITH 2 #14-13 X 1 1/4" MIN. DP1 FASTENERS
PENETRATING WOOD DECK 3/4" MIN.)
CR-DL15 DMI PANEL SYSTEM

PLYWOOD SHEATHING (MIN.
5/8" THICK)

12" MAXIMUM

3" MIN.

MASONRY FASTENER
@ 12" O.C.
MASONRY
1/4" WOOD FILLER



ARCHITECTURAL APRON

• PROVEN • DEPENDABLE • SUSTAINABLE •
METAL ENVELOPE SYSTEMS SINCE 1988

WWW.DMIMETALS.COM

Detail:
CRDL15 06-01-WA

Issue/Rev Date:
01/17

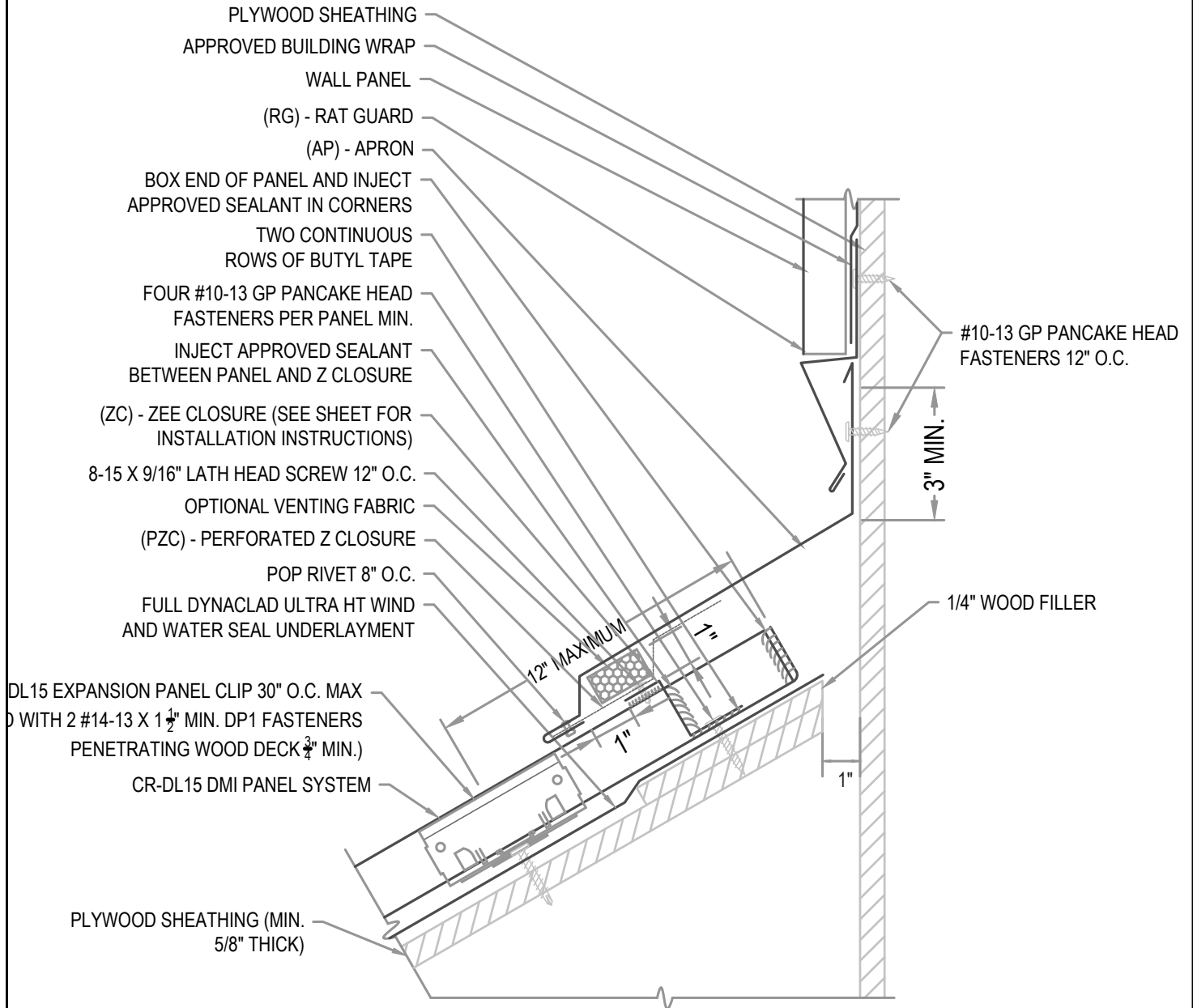
Scale:
3"=1'-0"

FLASHING LAP NOTE

LAP APRON AND RAT GUARD (SLOPED) 2" MIN W/ 2 ROWS OF BUTYL SEALANT.
DO NOT POP RIVET LAPPED FLASHINGS.

VENTILATION NOTE

DMI PERFORATED Z CLOSURE PROVIDES 23% NET FREE AIR MOVEMENT.



ARCHITECTURAL APRON W/ WALL PANEL

Detail: **CRDL15 06-02-WA**

• PROVEN • DEPENDABLE • SUSTAINABLE •
METAL ENVELOPE SYSTEMS SINCE 1988

Issue/Rev Date:

Scale:

01/17

3"=1'-0"

WWW.DMIMETALS.COM

NOTE

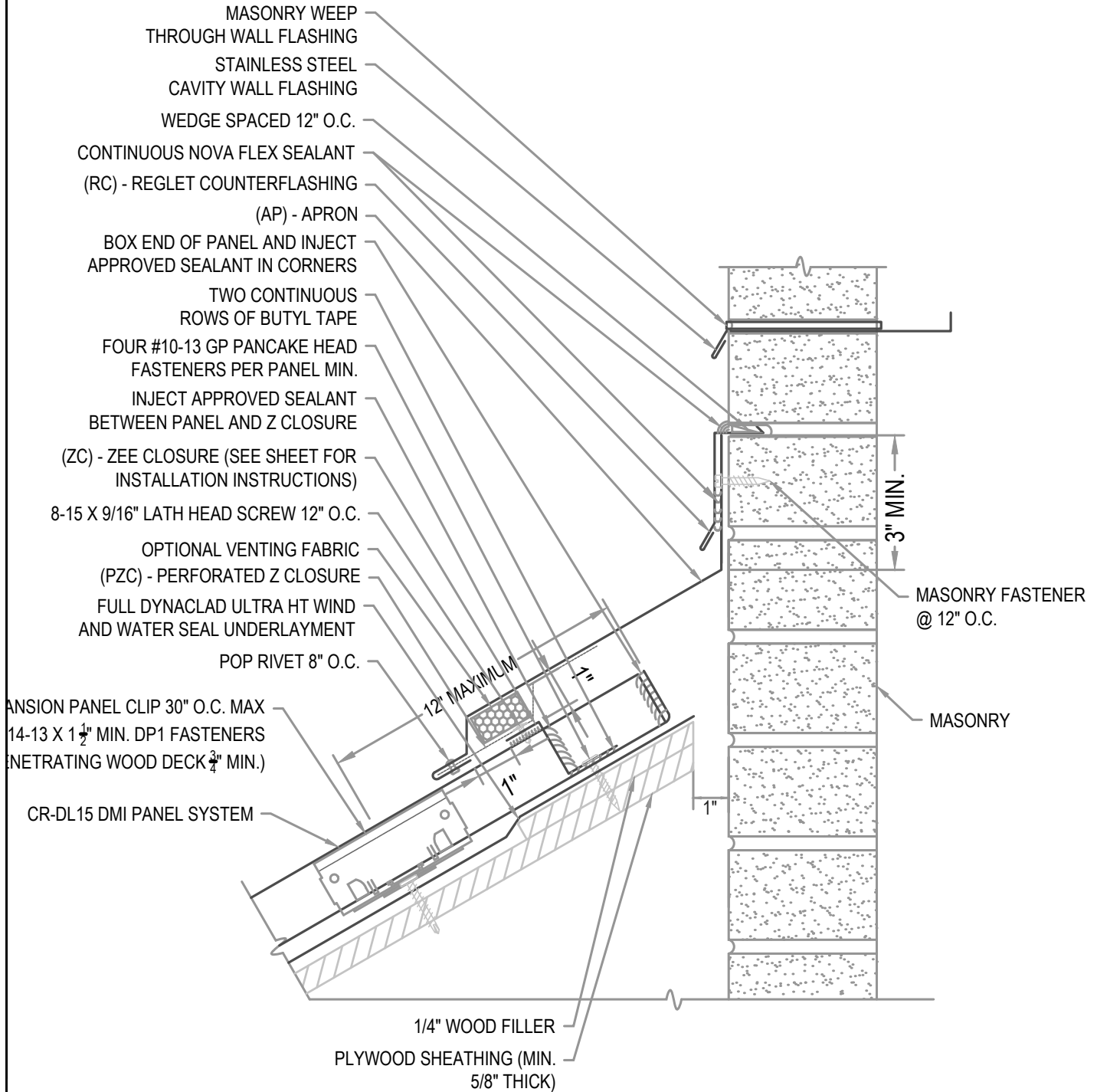
REGLET FLASHING TO BE INSTALLED BELOW ALL WEEP HOLES.
SURFACED MOUNT COUNTERFLASHINGS NOT ACCEPTABLE.

FLASHING LAP NOTE

LAP APRON AND RAT GUARD (SLOPED) 2" MIN W/ 2 ROWS OF BUTYL SEALANT.
DO NOT POP RIVET LAPPED FLASHINGS.

VENTILATION NOTE

DMI PERFORATED Z CLOSURE PROVIDES 23% NET FREE AIR MOVEMENT.



ARCHITECTURAL APRON

• PROVEN • DEPENDABLE • SUSTAINABLE •
METAL ENVELOPE SYSTEMS SINCE 1988

WWW.DMIMETALS.COM

Detail:
CRDL15 06-03-WA

Issue/Rev Date:

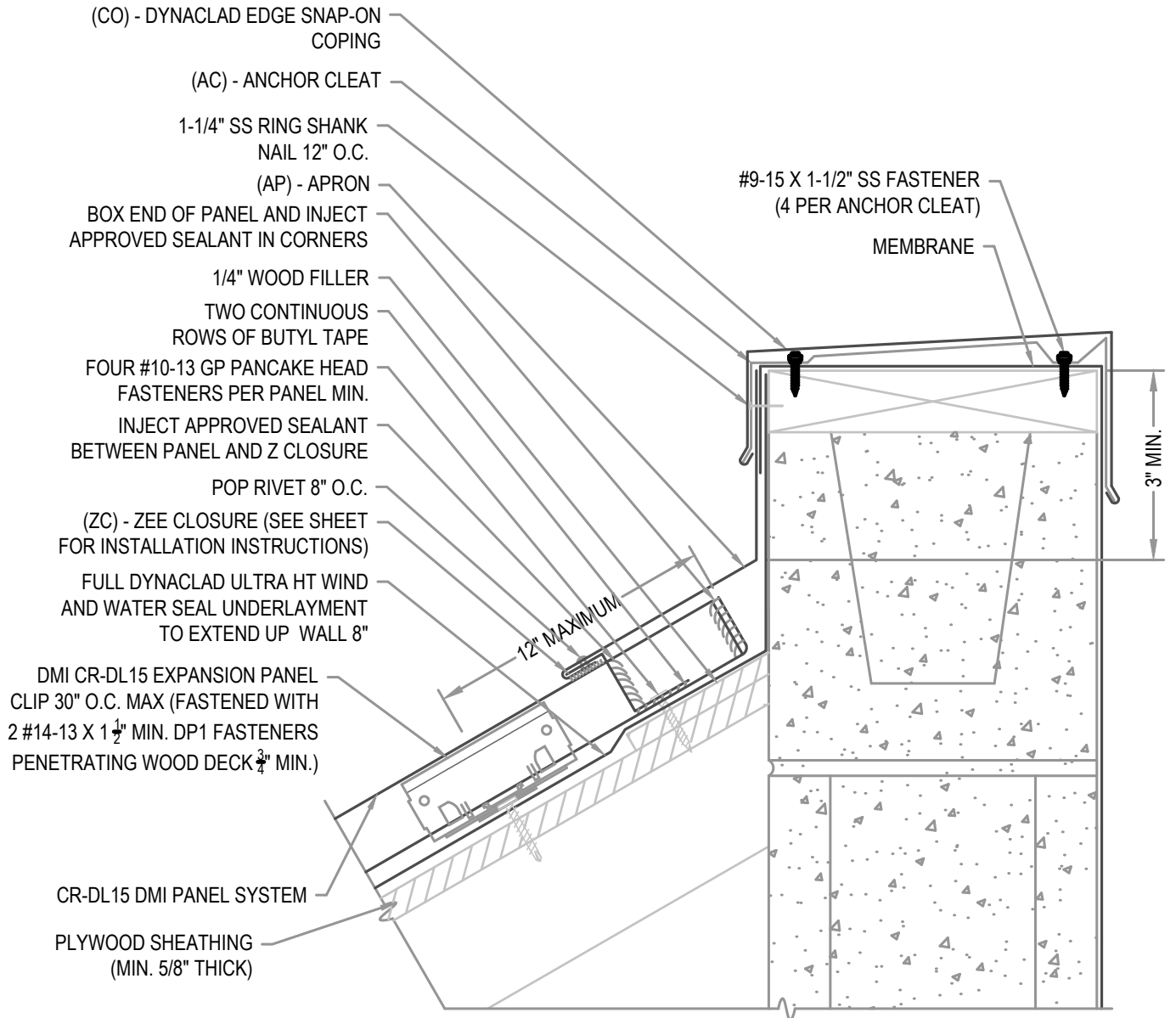
01/17

Scale:

3"=1'-0"

FLASHING LAP NOTE

LAP APRON AND REGLET 2" MINIMUM WITH 2 ROWS OF BUTYL SEALANT.



ARCHITECTURAL PEAK

• PROVEN • DEPENDABLE • SUSTAINABLE •
METAL ENVELOPE SYSTEMS SINCE 1988

WWW.DMIMETALS.COM

Detail:
CRDL15 06-04-WA

Issue/Rev Date:

01/17

Scale:

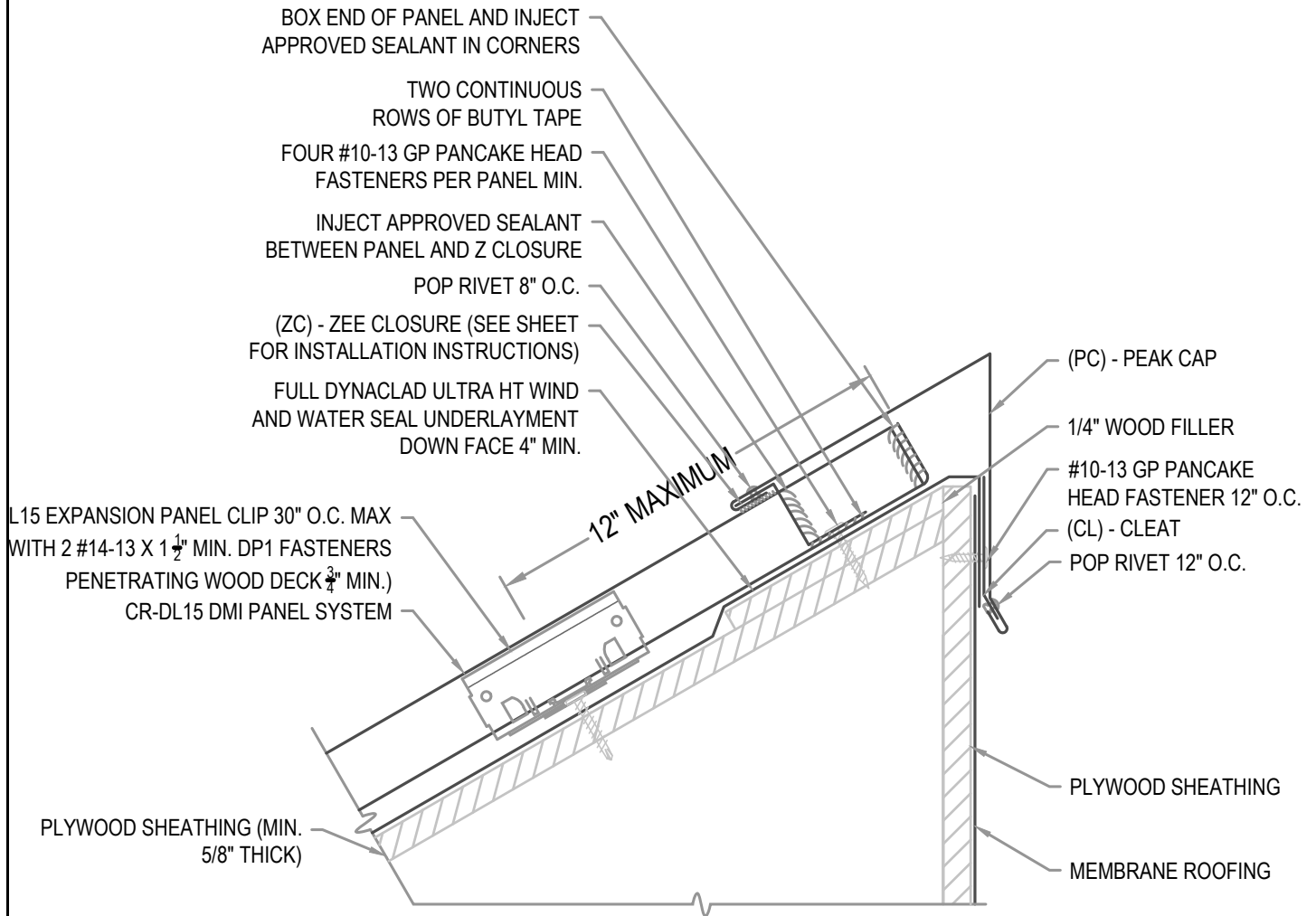
3"=1'-0"

EXPANSION NOTE

PEAK CAPS EXCEEDING 100'-0" IN LENGTH REQUIRE THE USE OF A 6" COVER PLATE.

FLASHING LAP NOTE

LAP PEAK AND CLEATS 2" MIN W/ 2 ROWS OF BUTYL SEALANT.
DO NOT POP RIVET LAPPED FLASHINGS.



ARCHITECTURAL PEAK

• **PROVEN** • **DEPENDABLE** • **SUSTAINABLE** •
METAL ENVELOPE SYSTEMS SINCE 1988

WWW.DMIMETALS.COM

Detail:
CRDL15 07-00-WA

Issue/Rev Date:

01/17

Scale:

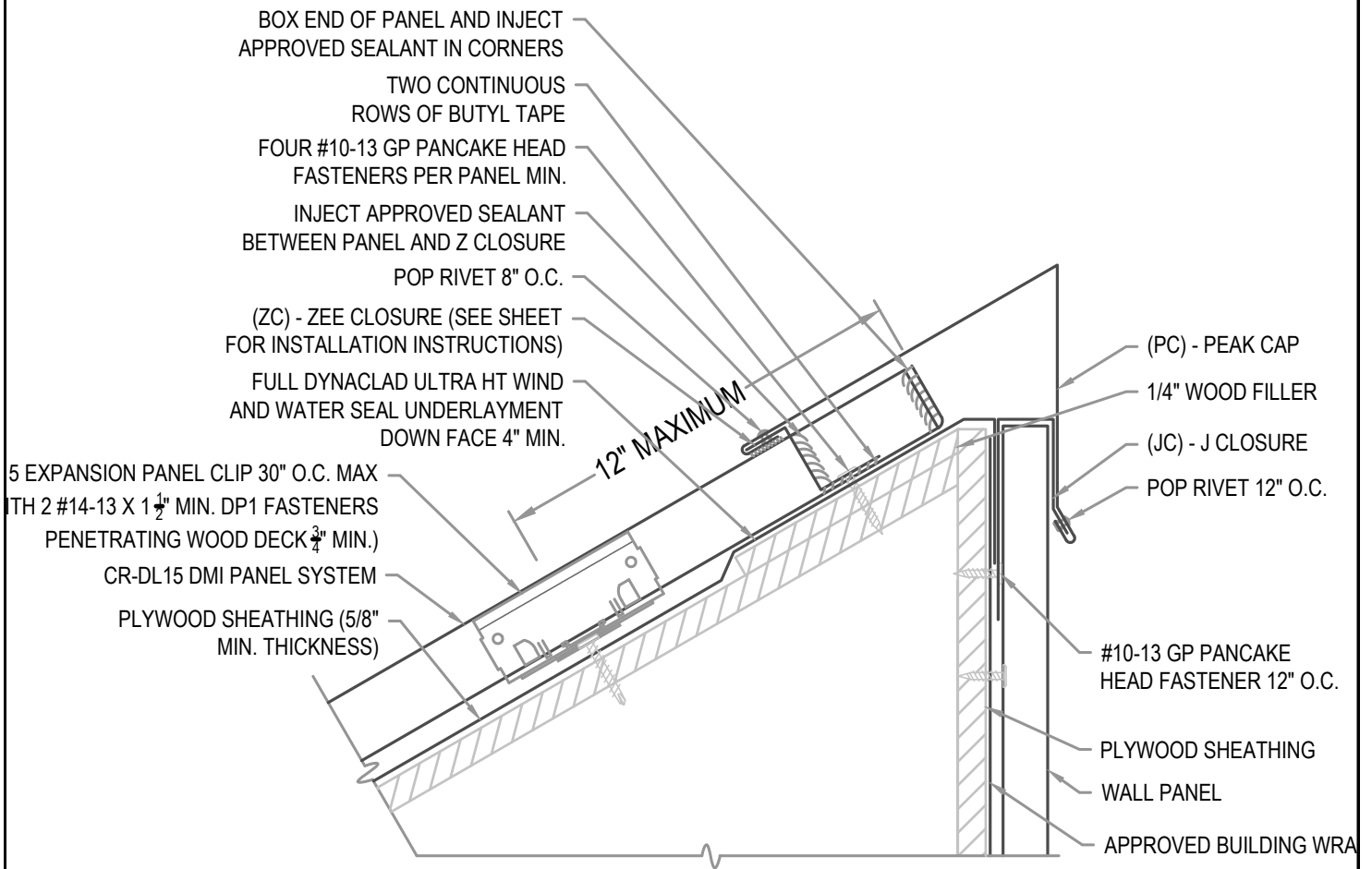
3"=1'-0"

EXPANSION NOTE

PEAK CAPS EXCEEDING 100'-0" IN LENGTH REQUIRE THE USE OF A 6" COVER PLATE.

FLASHING LAP NOTE

LAP PEAK AND CLEATS 2" MIN W/ 2 ROWS OF BUTYL SEALANT.
DO NOT POP RIVET LAPPED FLASHINGS.



5 EXPANSION PANEL CLIP 30" O.C. MAX
WITH 2 #14-13 X 1 1/2" MIN. DP1 FASTENERS
PENETRATING WOOD DECK 3/4" MIN.)
CR-DL15 DMI PANEL SYSTEM
PLYWOOD SHEATHING (5/8"
MIN. THICKNESS)

(PC) - PEAK CAP
1/4" WOOD FILLER
(JC) - J CLOSURE
POP RIVET 12" O.C.
#10-13 GP PANCAKE
HEAD FASTENER 12" O.C.
PLYWOOD SHEATHING
WALL PANEL
APPROVED BUILDING WRA

12" MAXIMUM

	<p>ARCHITECTURAL PEAK</p> <p>• PROVEN • DEPENDABLE • SUSTAINABLE •</p> <p>METAL ENVELOPE SYSTEMS SINCE 1988</p> <p>WWW.DMIMETALS.COM</p>		<p>Detail: CRDL15 07-01-WA</p>	
			<p>Issue/Rev Date: 01/17</p>	<p>Scale: 3"=1'-0"</p>

PANEL EXPANSION NOTE

FOR STEEL PANELS < 40' WITH A 1 1/2" TURN DOWN AND 1 1/2" HEM CLEARANCE:

1. 1/4" FOR INSTALLATION TEMPERATURE BELOW 30 DEGREES FARENHEIT
2. 1/2" FOR INSTALLATION TEMPERATURE ABOVE 30 DEGREES FARENHEIT..

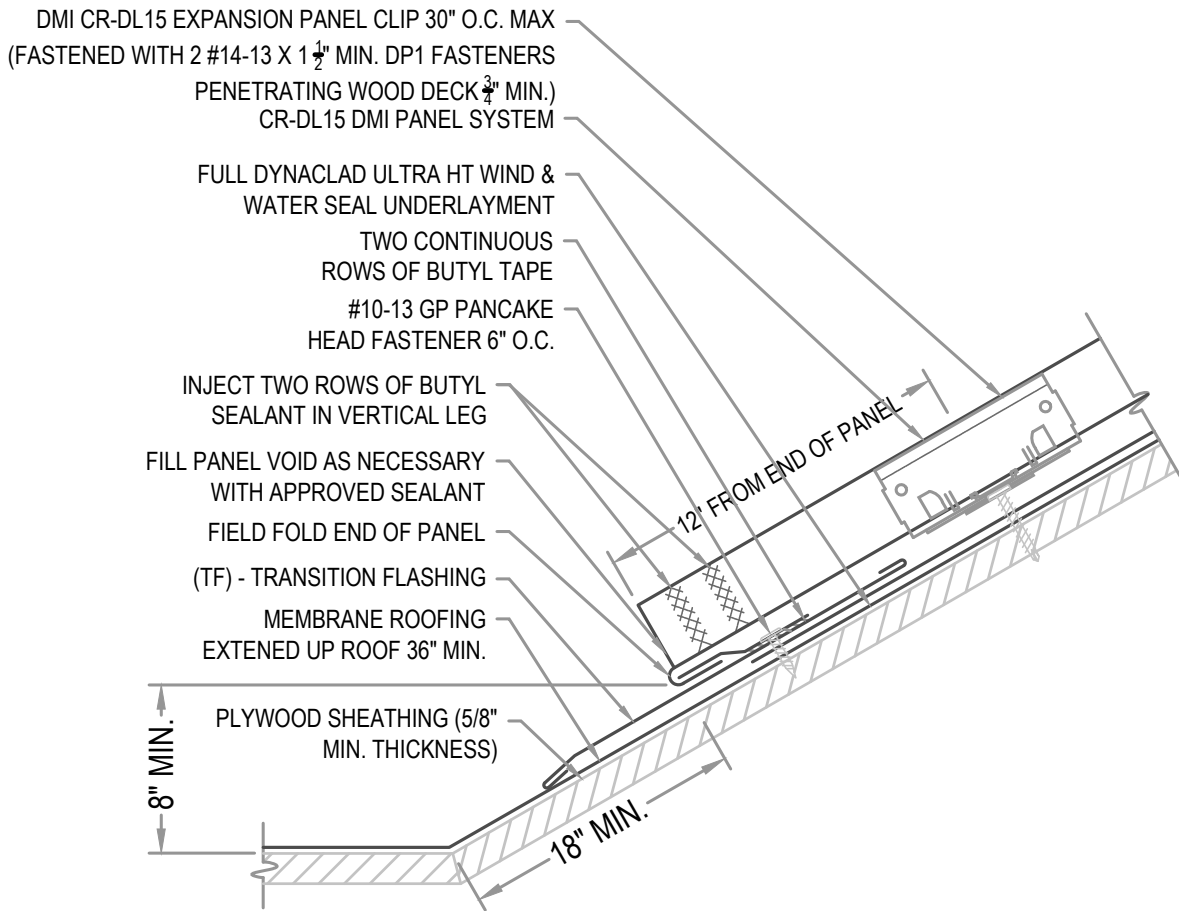
FOR STEEL PANELS > 40' WITH A 2" TURN DOWN AND 2" HEM CLEARANCE:

1. 1/4" FOR INSTALLATION TEMPERATURE BELOW 30 DEGREES FARENHEIT.
2. 1/2" FOR INSTALLATION TEMPERATURE ABOVE 30 DEGREES FARENHEIT.

FOR ALUMINUM PANELS - CONTACT DMI

FLASHING LAP NOTE

LAP FLASHINGS 2" MIN W/ 1 ROW OF BUTYL SEALANT.



ARCHITECTURAL TRANSITION

• PROVEN • DEPENDABLE • SUSTAINABLE •
METAL ENVELOPE SYSTEMS SINCE 1988

WWW.DMIMETALS.COM

Detail:
CRDL15 09-00-WA

Issue/Rev Date:

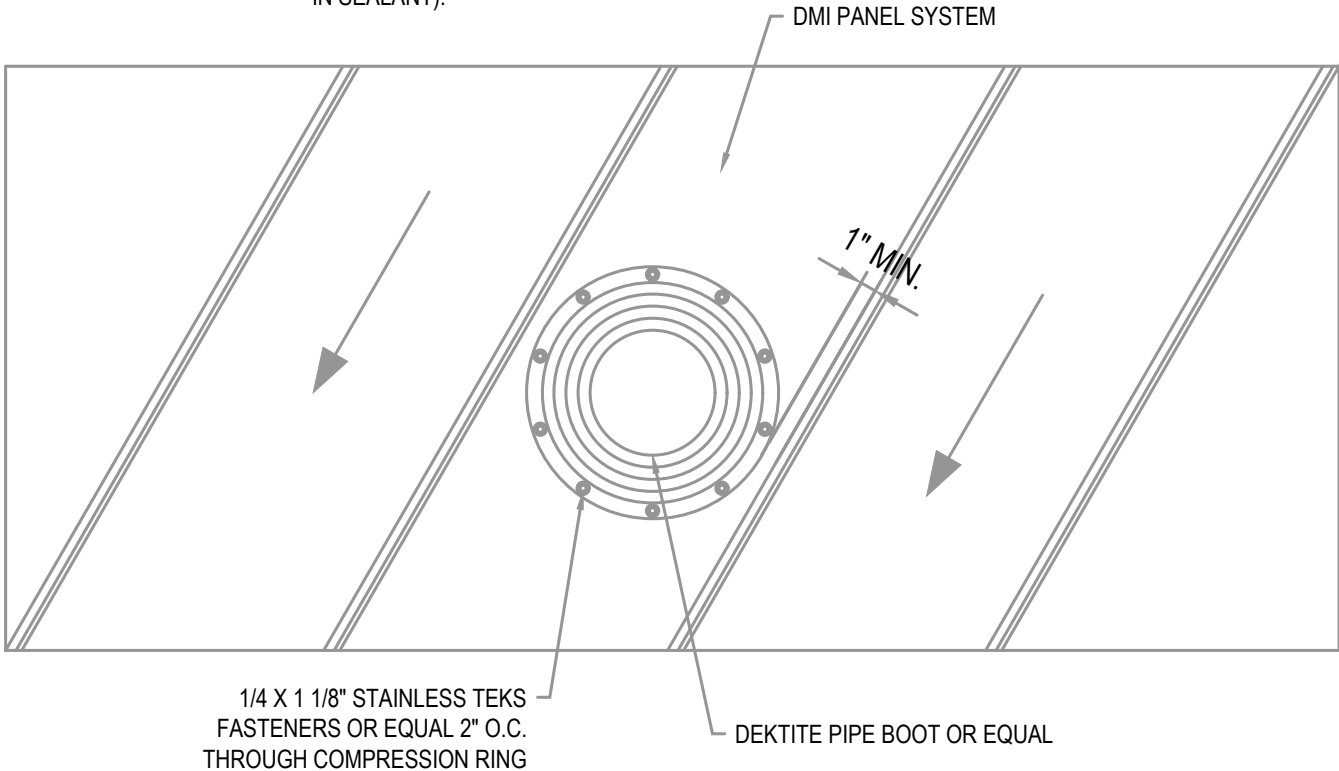
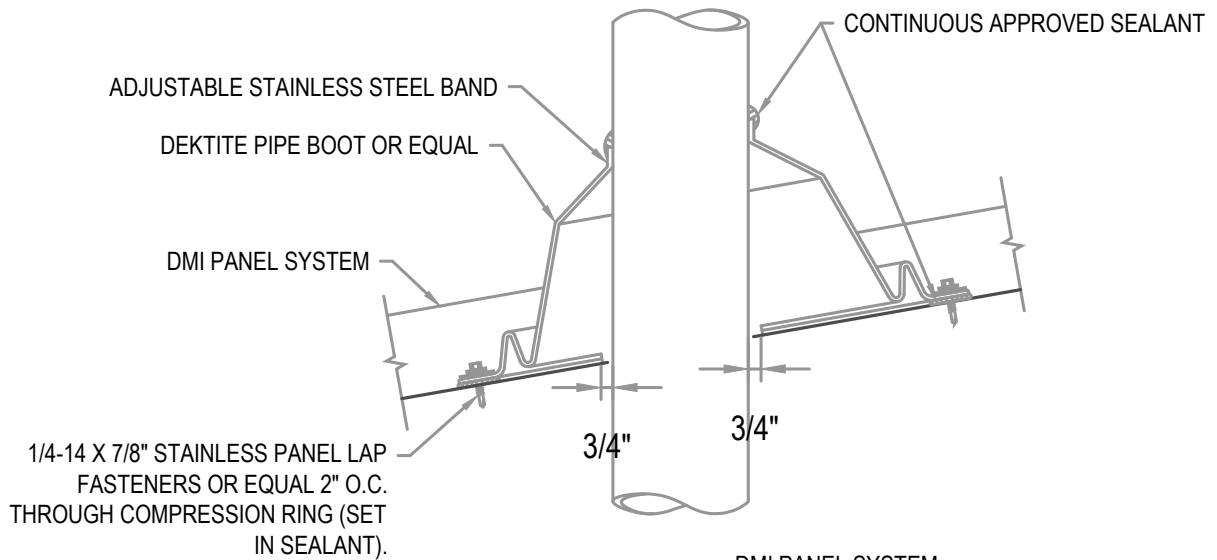
01/17

Scale:

3"=1'-0"

NOTE

DO NOT ATTACH INTO SOLID SUBSTRATE BELOW.
 BOOT SHALL NOT INTERSECT STANDING SEAM VERTICAL LEG. INSTALL IN FLAT AREA OF PANEL ONLY.
 IF USING A SQUARE BOOT DETAIL BE SURE TO SET BOOT IN A DIAGONAL OR DIAMOND TO ALLOW WATER FLOW.



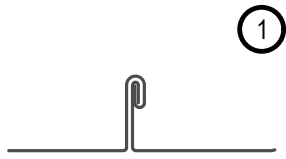
ARCHITECTURAL PIPE BOOT DETAIL

• PROVEN • DEPENDABLE • SUSTAINABLE •
METAL ENVELOPE SYSTEMS SINCE 1988

WWW.DMIMETALS.COM

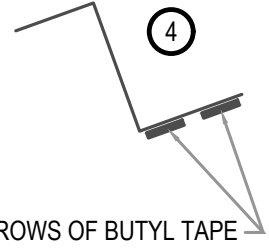
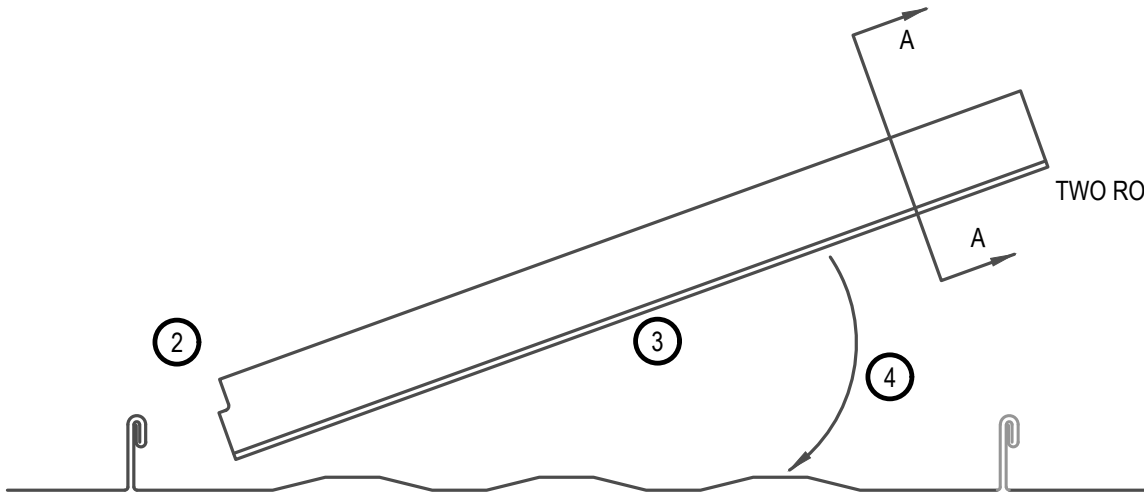
Detail: **CRDL15 10-00-WA**

Issue/Rev Date: **01/17** Scale: **3"=1'-0"**



1

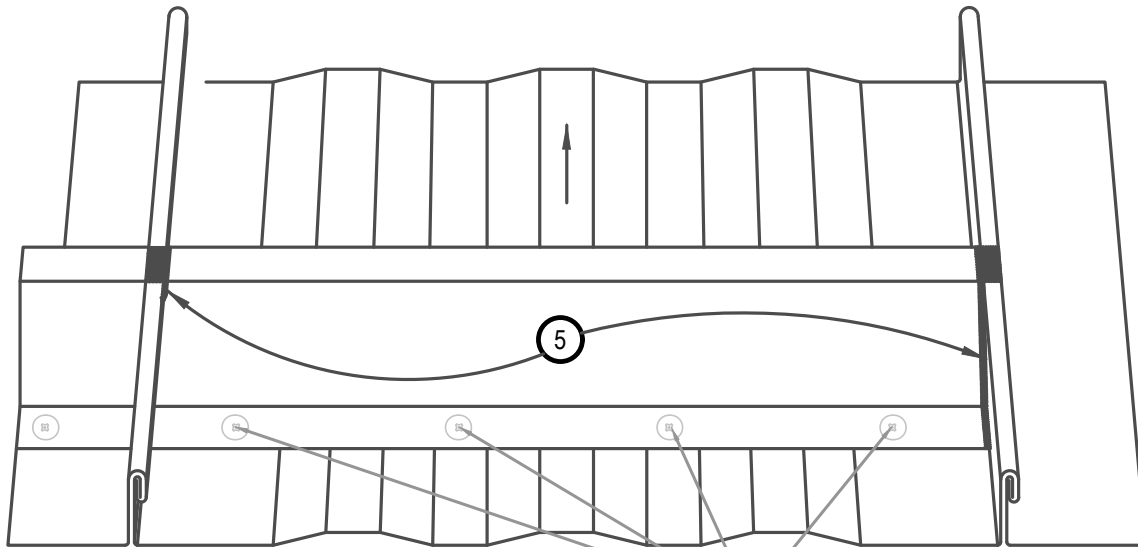
- Step 1: Seam Panel
- Step 3: Notch zee closure.
- Step 4: Apply two rows of butyl tape to underside of zee.
- Step 5: Install zee closure.
- Step 6: Seal all contact points of zee and panel legs. Also seal over top of panel leg.



4

TWO ROWS OF BUTYL TAPE

SECTION A-A



5

FASTENERS PER SHOP DRAWINGS



ARCHITECTURAL Z INSTALLATION GUIDE

• **PROVEN** • **DEPENDABLE** • **SUSTAINABLE** •
METAL ENVELOPE SYSTEMS SINCE 1988

WWW.DMIMETALS.COM

Detail: CRDL15 11-00-WA

Issue/Rev Date:

01/17

Scale:

3"=1'-0"