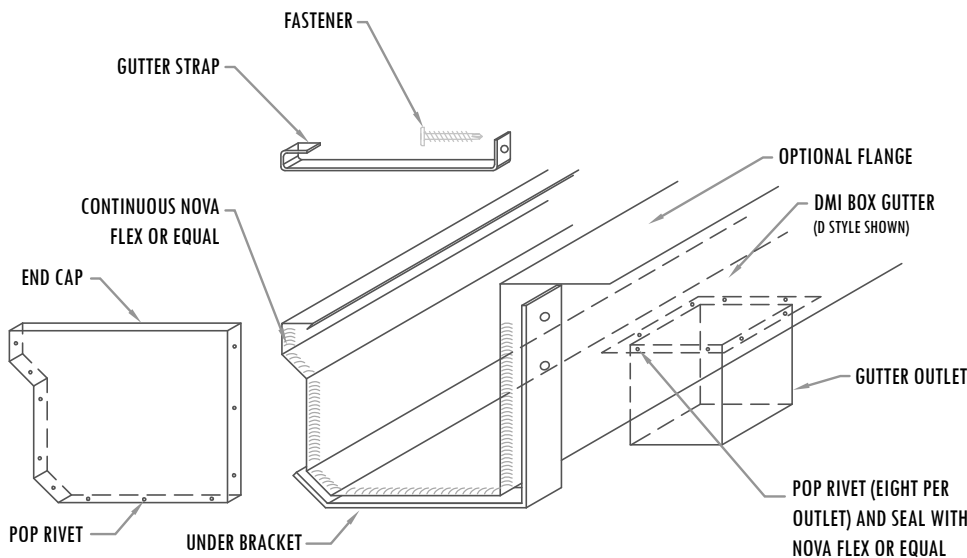


DMI's box gutters are offered in six standard SMACNA profiles. Custom profiles and lengths up to 32' are available. DMI offers a full line of accessories including, internal support brackets, custom under brackets, mitered corners, end caps, splice plates, expansion joints, outlets, downspouts, elbows, and downspout straps.

Offered in a large variety of materials and colors:

- Galvalume® (22 ga. & 24 ga.)
- HDG-90 (20 ga.)
- Stainless Steel (22 ga. & 24 ga.)
- Aluminum (.050, .040, & .032)
- RHEINZINK® (20 ga./1 mm, 22 ga./0.8 mm, & 24 ga./0.7 mm)
- Copper (20 oz. & 16 oz.)

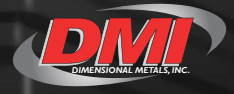


www.dmimetals.com ■ 800.828.1510 ■ sales@dmimetals.com

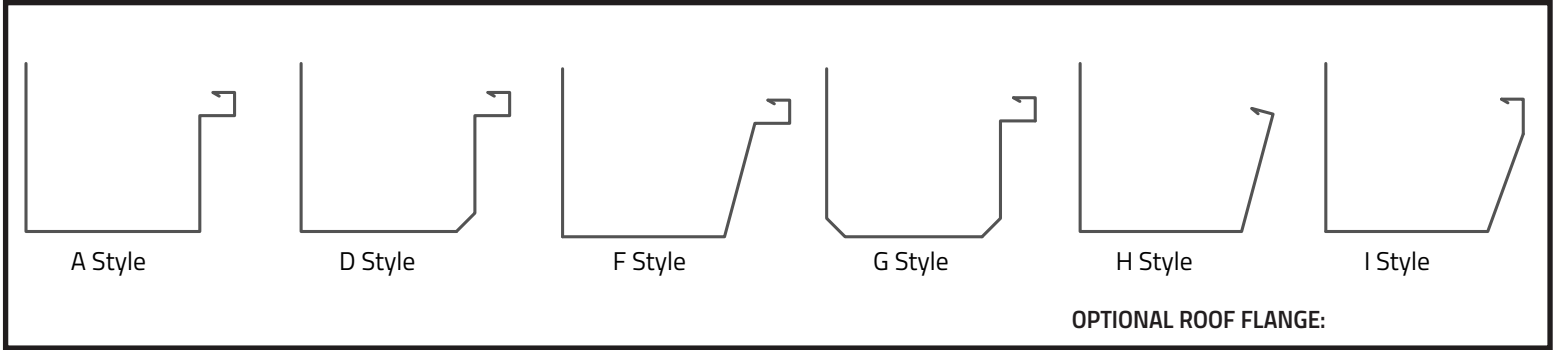
PROVEN. DEPENDABLE. SUSTAINABLE.

METAL ENVELOPE SYSTEMS SINCE 1988

DYNACLAD® BOX GUTTER



PROJECT NAME: _____
 ARCHITECT: _____
 INSTALLING CONTRACTOR: _____
 GENERAL CONTRACTOR: _____
 SPECIFICATION SECTION: _____



DYNACLAD® STOCKING COLOR/MATERIAL						
COLOR (IN ALPHABETICAL ORDER)	24 GAGE GALVALUME KYNAR 500	22 GAGE GALVALUME KYNAR 500	.032 ALUM. 3003/3105 H14 KYNAR 500	.040 ALUM. 3003/3105 H14 KYNAR 500	.050 ALUM. 3003/3105 H14 KYNAR 500	.063 ALUM. 3003/3105 H14 KYNAR 500
AGED COPPER*	•		•			
BEIGE	•	•	•		•	
BRITE RED*	•		•	•		
BROWN	•		•	•		
BURGUNDY	•		•			
CHAMPAGNE*	•		•			
CHARCOAL GREY	•		•	•		
CLASSIC BRONZE	•		•	•		
COBALT BLUE	•		•			
COLONIAL RED	•		•			
DARK BRONZE	•	•	•	•	•	•
DOVE GREY	•	•	•	•		
EVERGREEN	•		•	•		
HARTFORD GREEN	•		•			
HEMLOCK GREEN	•		•			
LEAF GREEN	•		•			
MATTE BLACK	•		•	•		
METALLIC COPPER*	•		•			
METALLIC SILVER*	•		•			
MUSKET GREY	•		•	•		
PATINA COPPER	•		•	•		
PUTTY	•	•	•	•	•	
ROYAL BLUE	•		•	•		
SANDSTONE	•	•	•	•		
SEAPORT	•		•			
SLATE BLUE	•		•			
SLATE GREY	•	•	•	•	•	
SPARTAN BRONZE	•		•	•		
STONE	•		•	•		
TERRA COTTA	•		•			
WEATHERED ZINC*	•		•			
WHITE	•	•	•	•	•	•

Non-Stock colors available subject to minimum quantities, additional lead times and upcharges.

Custom Colors available.

* Denotes Premium Color - subject to additional costs.

SUBSTRATE

24 ga. Galvalume®	.032 Aluminum
22 ga. Galvalume®	.040 Aluminum
20 ga. HDG-90	.050 Aluminum
24 ga. Stainless Steel	24 ga. (.7mm) RHEINZINK®
22 ga. Stainless Steel	22 ga. (.8mm) RHEINZINK®
16 oz. Copper	20 ga. (1mm) RHEINZINK®
20 oz. Copper	

EMBOSSED:

Consult DMI for minimum quantities, upcharges, set up fees and extended lead times

STANDARD FINISHES (NA ON COPPER, STAINLESS STEEL, & MILL FINISH)

- DynaClad® PVDF:
- Acrylic Coated Galvalume (Acrylume®)
- RHEINZINK® Patina:
- Clear Anodized Aluminum

PREMIUM FINISHES*

- DynaClad® Metallic PVDF:
- DynaClad® Brite Red PVDF
- DynaClad® Standard Color PVDF w/ Clearcoat:
- DynaClad® Metallic Color PVDF w/ Clearcoat:
- Custom Color:

*Premium Colors subject to minimum quantities, extended lead times and upcharges. Consult DMI for details.

WARRANTY

- DynaClad® Paint Finish
- Galvalume® 20 Year - 6 Month (Substrate)
- Aluminum Sheet 2 Year (Substrate)

Since 1988 Dimensional Metals, Inc. (DMI) has specialized in the manufacturing of architectural metal roof and wall panel systems as well as fabricated architectural sheet metal for the construction industry. We are backed by decades of proven metal envelope design, dependable Technical Field Services, and an Engineering Department delivering sustainable solutions. You are sure to find the product that will best enhance your design.

PROVEN. DEPENDABLE. SUSTAINABLE.

METAL ENVELOPE SYSTEMS SINCE 1988