

JAMB

• PROVEN • DEPENDABLE • SUSTAINABLE •

METAL ENVELOPE SYSTEMS SINCE 1988

WWW.DMIMETALS.COM

Detail:

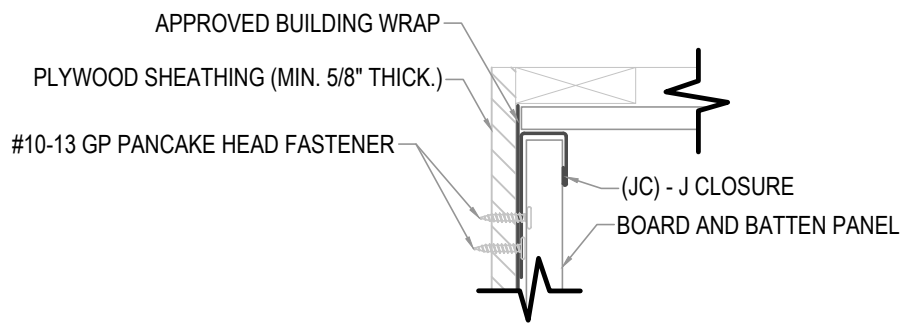
BB75 V-01-00

Issue/Rev Date:

06/24

Scale:

3"=1'-0"



WALL TO SOFFIT

• PROVEN • DEPENDABLE • SUSTAINABLE •
METAL ENVELOPE SYSTEMS SINCE 1988

WWW.DMIMETALS.COM

Detail:

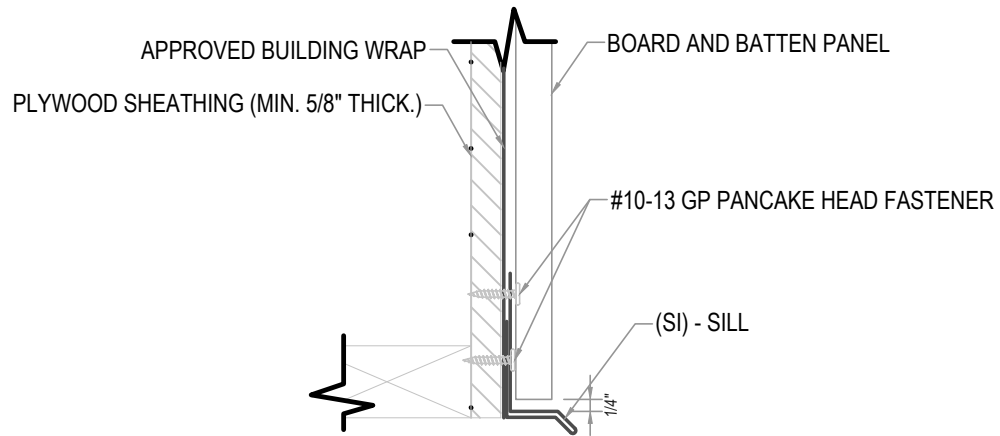
BB75 V-01-01

Issue/Rev Date:

06/24

Scale:

3"=1'-0"



SILL

• PROVEN • DEPENDABLE • SUSTAINABLE •
METAL ENVELOPE SYSTEMS SINCE 1988

WWW.DMIMETALS.COM

Detail:

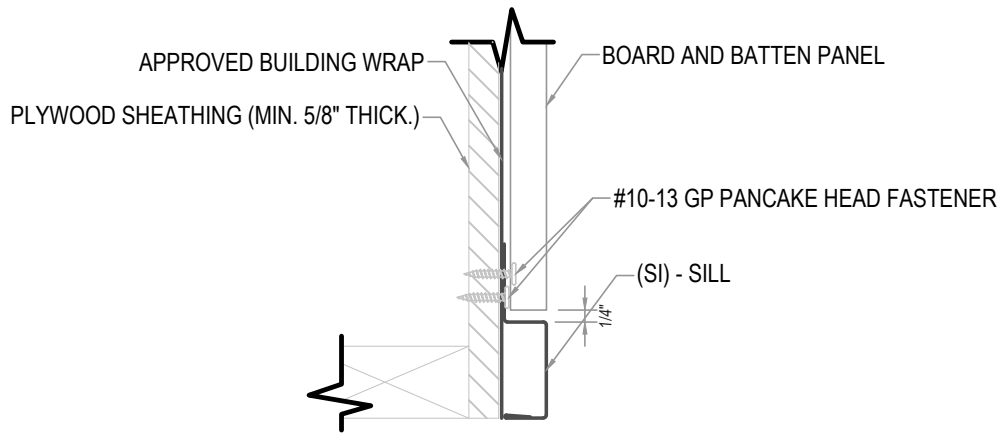
BB75 V-02-00

Issue/Rev Date:

06/24

Scale:

3"=1'-0"



SILL

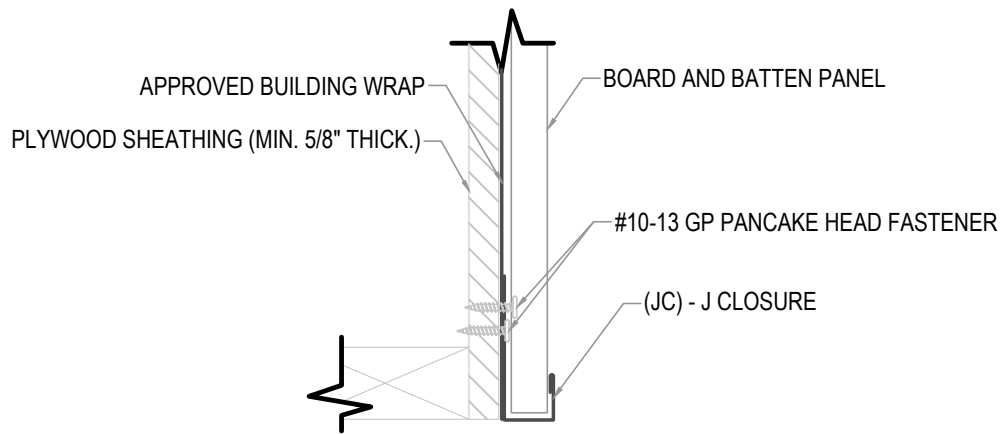
• PROVEN • DEPENDABLE • SUSTAINABLE •

METAL ENVELOPE SYSTEMS SINCE 1988

WWW.DMIMETALS.COM

Detail:
BB75 V-02-01

Issue/Rev Date:	Scale:
06/24	3"=1'-0"



SILL

• PROVEN • DEPENDABLE • SUSTAINABLE •
METAL ENVELOPE SYSTEMS SINCE 1988

WWW.DMIMETALS.COM

Detail:

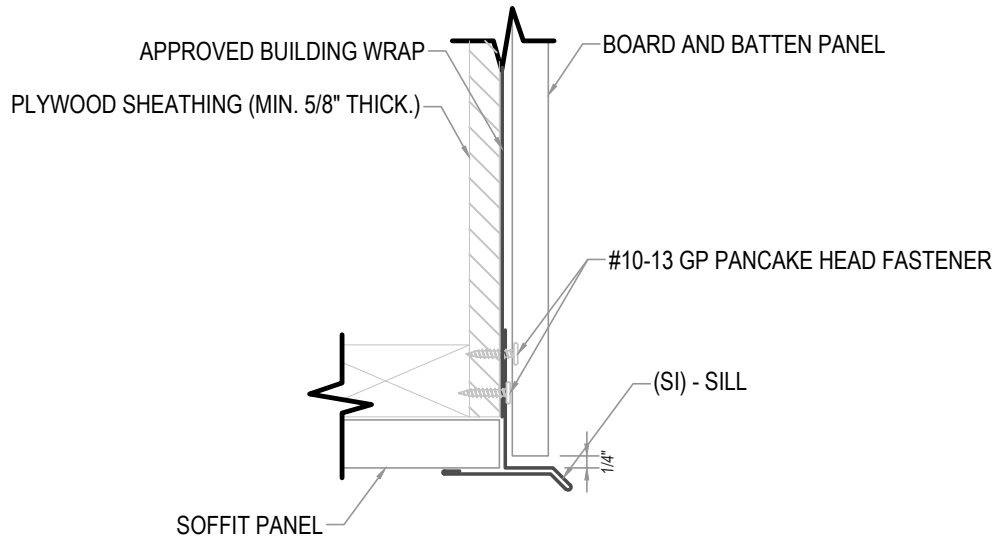
BB75 V-02-02

Issue/Rev Date:

06/24

Scale:

3"=1'-0"



SILL TO SOFFIT

• PROVEN • DEPENDABLE • SUSTAINABLE •

METAL ENVELOPE SYSTEMS SINCE 1988

WWW.DMIMETALS.COM

Detail:

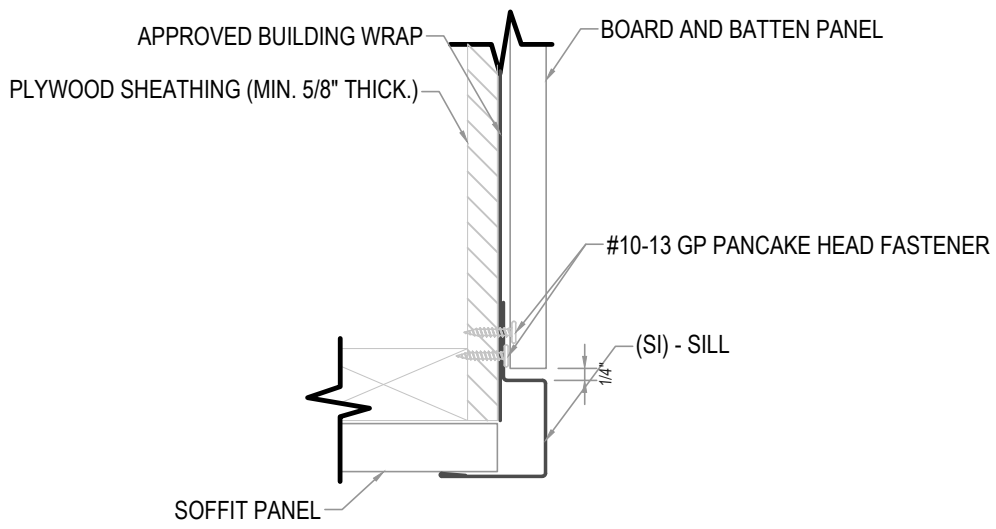
BB75 V-02-03

Issue/Rev Date:

06/24

Scale:

3"=1'-0"



SILL TO SOFFIT

• PROVEN • DEPENDABLE • SUSTAINABLE •

METAL ENVELOPE SYSTEMS SINCE 1988

WWW.DMIMETALS.COM

Detail:

BB75 V-02-04

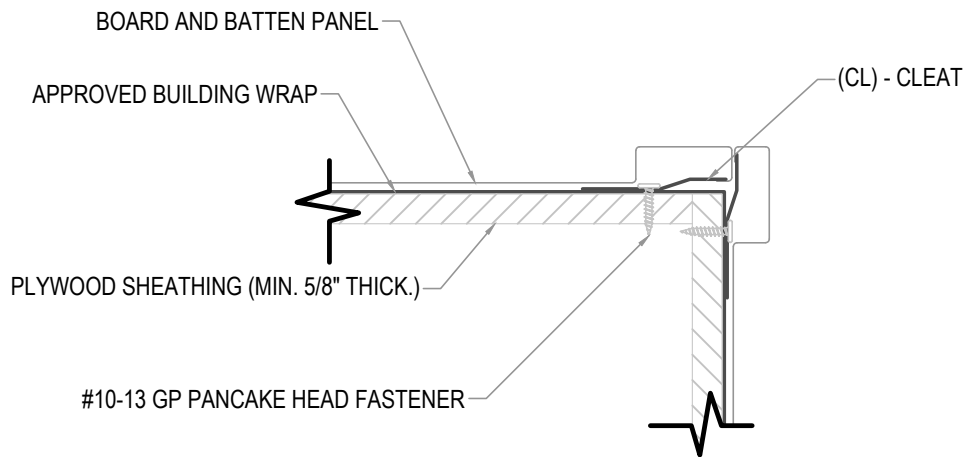
Issue/Rev Date:

06/24

Scale:

3"=1'-0"





OUTSIDE CORNER

• PROVEN • DEPENDABLE • SUSTAINABLE •

METAL ENVELOPE SYSTEMS SINCE 1988

WWW.DMIMETALS.COM

Detail:

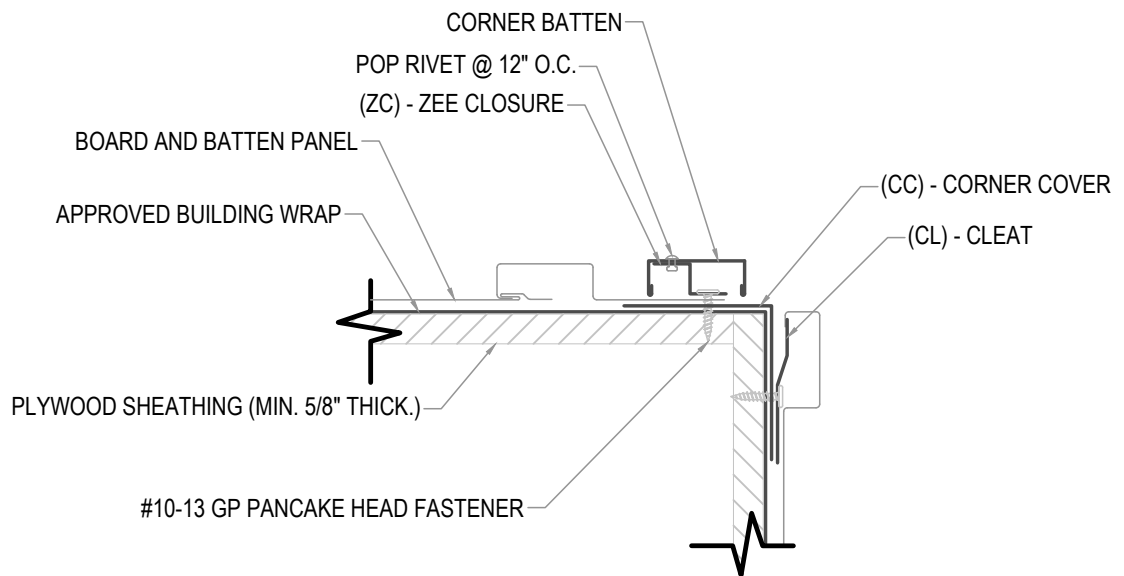
BB75 V-03-00

Issue/Rev Date:

06/24

Scale:

3"=1'-0"



OUTSIDE CORNER

• PROVEN • DEPENDABLE • SUSTAINABLE •

METAL ENVELOPE SYSTEMS SINCE 1988

WWW.DMIMETALS.COM

Detail:

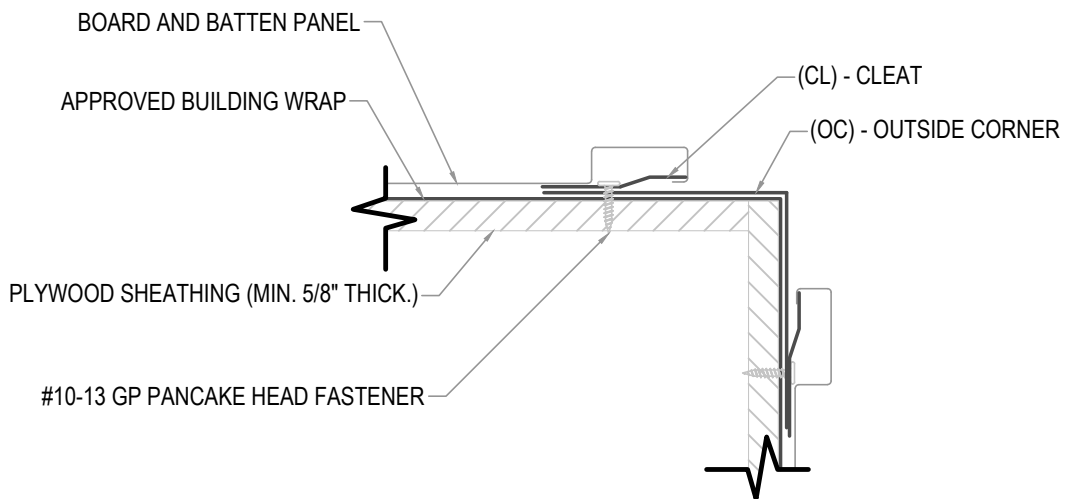
BB75 V-03-01

Issue/Rev Date:

06/24

Scale:

3"=1'-0"



OUTSIDE CORNER

• PROVEN • DEPENDABLE • SUSTAINABLE •

METAL ENVELOPE SYSTEMS SINCE 1988

WWW.DMIMETALS.COM

Detail:

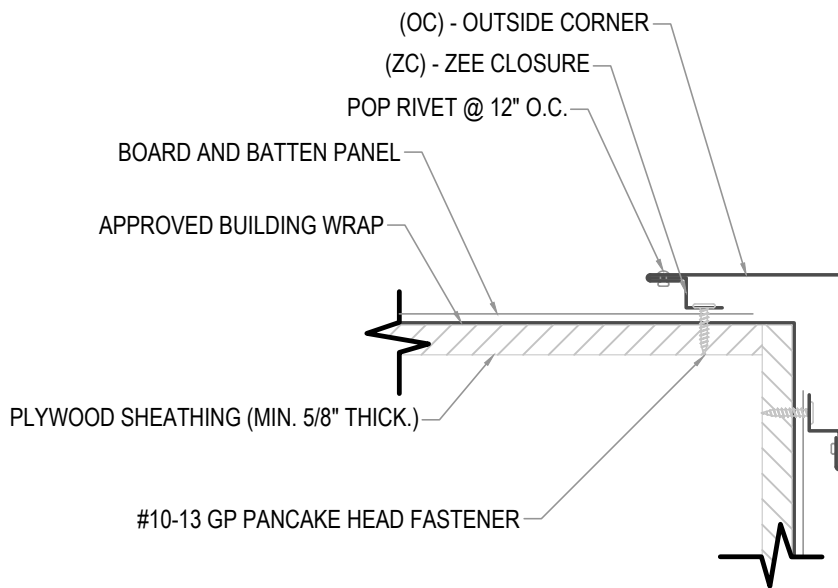
BB75 V-03-02

Issue/Rev Date:

06/24

Scale:

3"=1'-0"



OUTSIDE CORNER

• PROVEN • DEPENDABLE • SUSTAINABLE •

METAL ENVELOPE SYSTEMS SINCE 1988

WWW.DMIMETALS.COM

Detail:

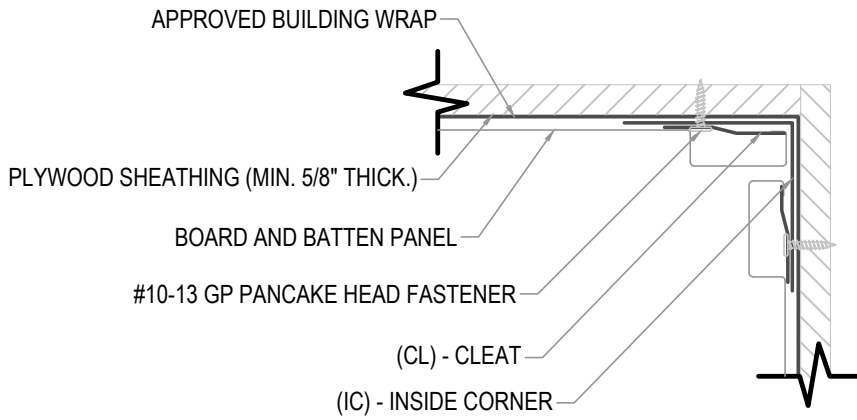
BB75 V-03-03

Issue/Rev Date:

06/24

Scale:

3"=1'-0"



INSIDE CORNER

• PROVEN • DEPENDABLE • SUSTAINABLE •

METAL ENVELOPE SYSTEMS SINCE 1988

WWW.DMIMETALS.COM

Detail:

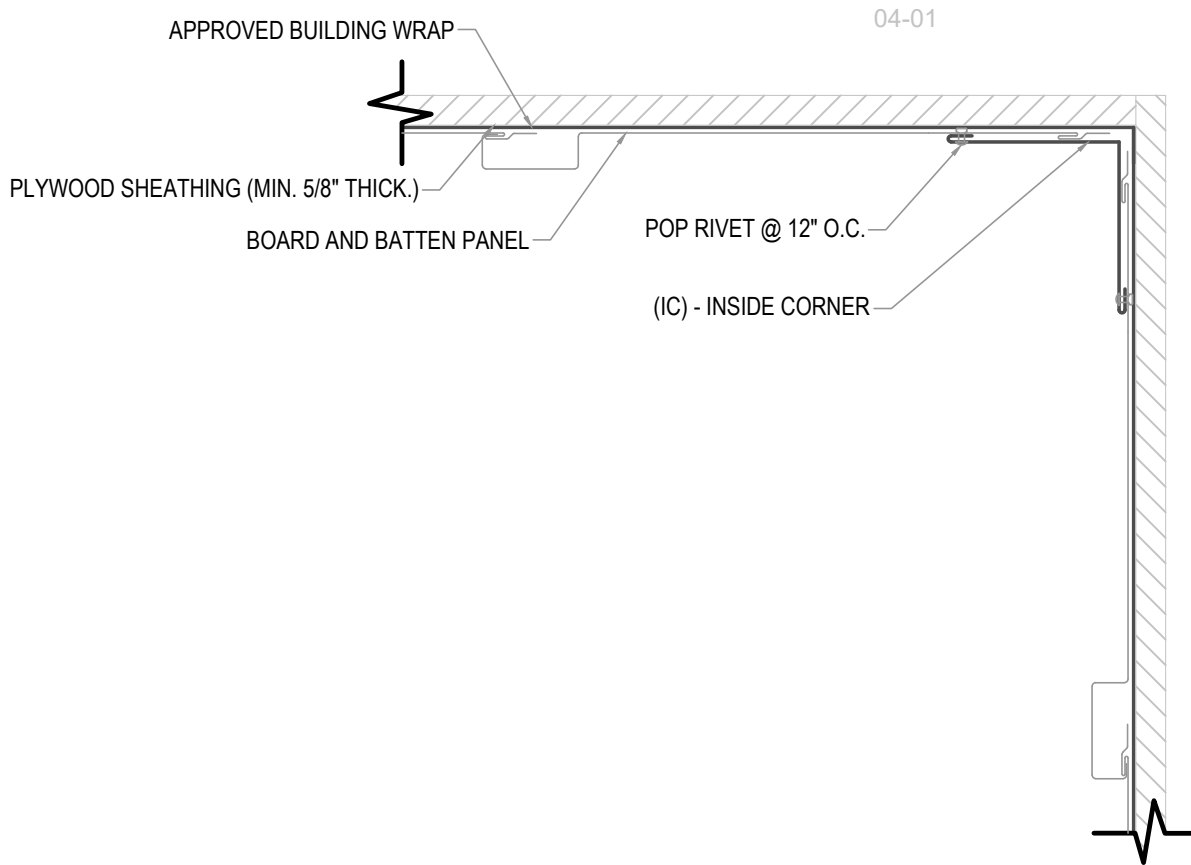
BB75 V-04-00

Issue/Rev Date:

06/24

Scale:

3"=1'-0"



INSIDE CORNER

• PROVEN • DEPENDABLE • SUSTAINABLE •

METAL ENVELOPE SYSTEMS SINCE 1988

WWW.DMIMETALS.COM

Detail:

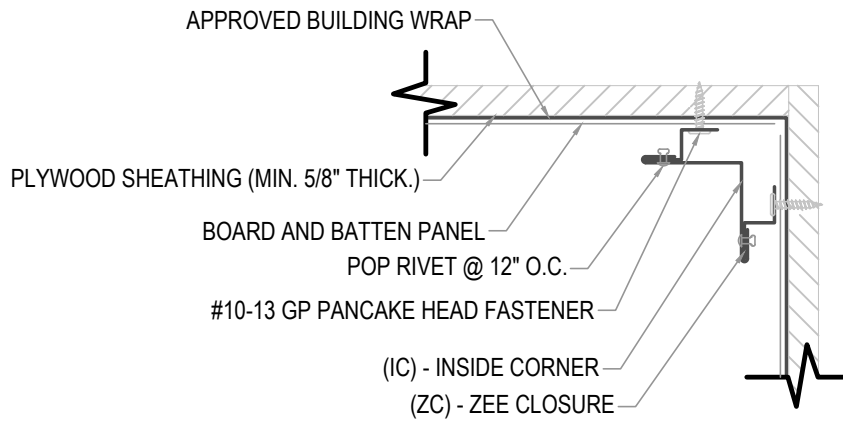
BB75 V-04-01

Issue/Rev Date:

06/24

Scale:

3"=1'-0"



INSIDE CORNER

• PROVEN • DEPENDABLE • SUSTAINABLE •

METAL ENVELOPE SYSTEMS SINCE 1988

WWW.DMIMETALS.COM

Detail:

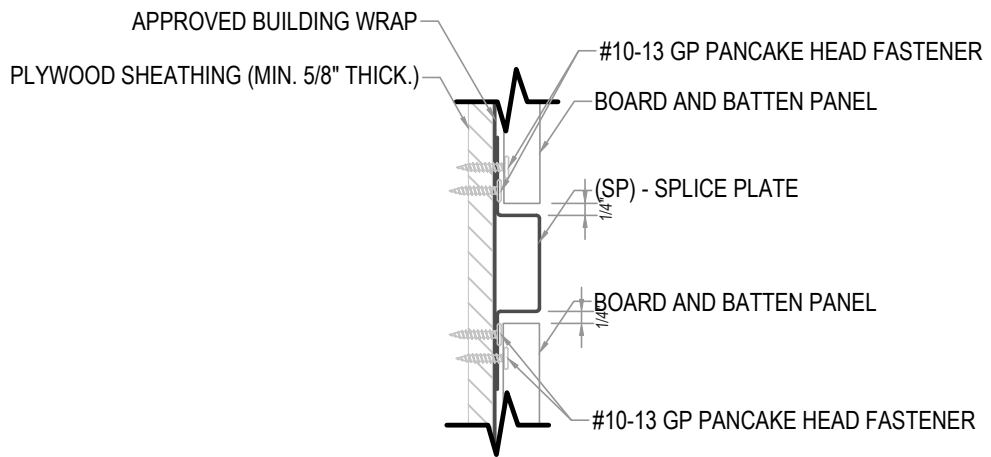
BB75 V-04-02

Issue/Rev Date:

06/24

Scale:

3"=1'-0"



SPLICE DETAIL

• PROVEN • DEPENDABLE • SUSTAINABLE •

METAL ENVELOPE SYSTEMS SINCE 1988

WWW.DMIMETALS.COM

Detail:

BB75 V-05-00

Issue/Rev Date:

06/24

Scale:

3"=1'-0"