

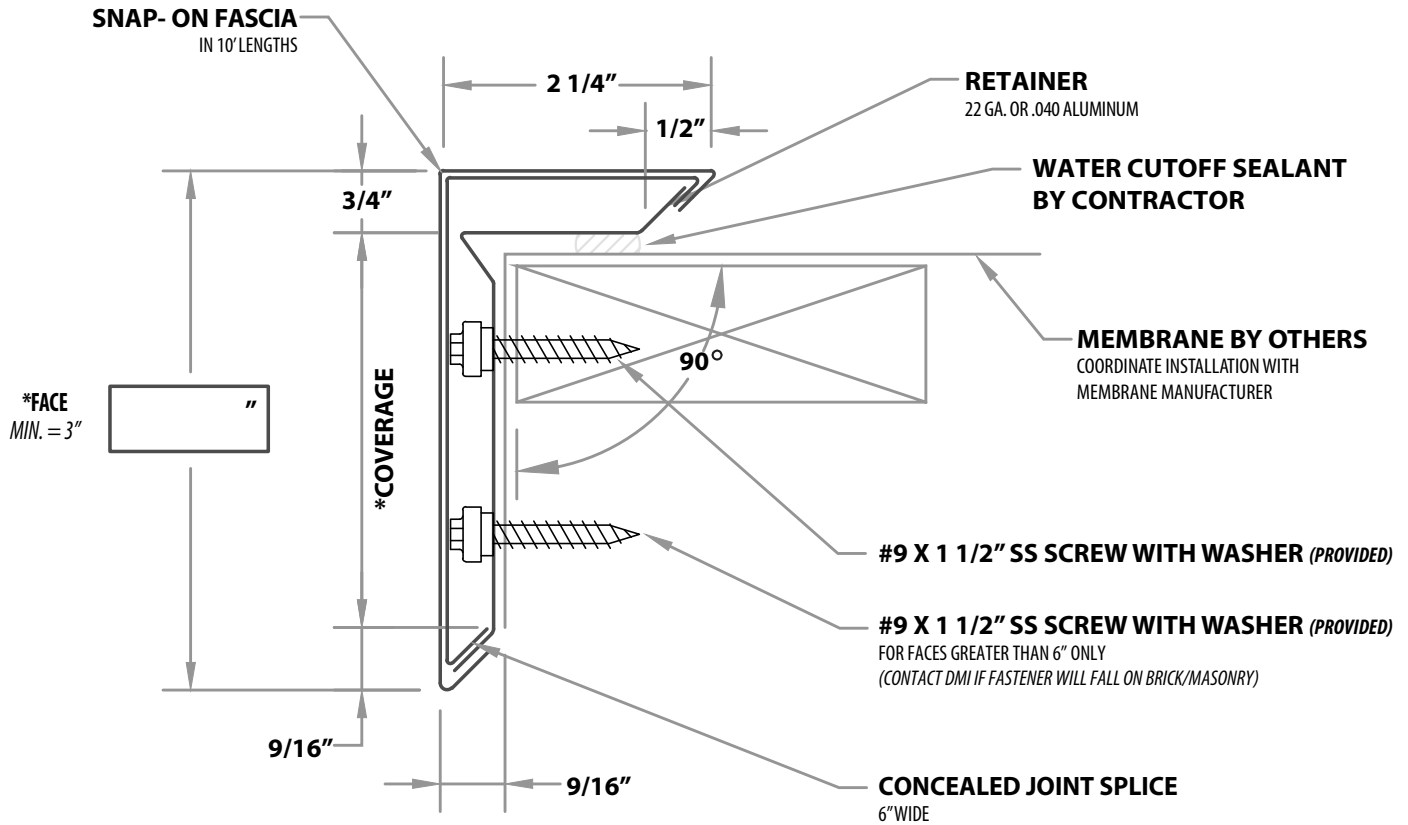


www.dmimetals.com

DynaClad® Edge

SNAP-ON FASCIA

ANSI/SPRI ES-1 TESTED



NOTES

Contact DMI for verification of test report on your project.
 Fascia Extender available upon request.
 Coverage as noted above should extend 1" below water resistant surface.
 Face dimension should equal coverage plus 1 5/16"

QUANTITIES

- ___ TOTAL LNFT
- ___ OUTSIDE CORNERS
- ___ INSIDE CORNERS
- ___ SPECIAL CORNERS (ATTACH SKETCH)
- ___ END CAP - LEFT
- ___ END CAP - RIGHT
- ___ END TERM - LEFT
- ___ END TERM - RIGHT
- ___ OTHER - _____
(ATTACH SKETCH FOR "OTHER")

CAP MATERIAL

- .050 ALUMINUM
- .040 ALUMINUM
- .032 ALUMINUM
- 22 GA. GALVALUME
- 24 GA. GALVALUME
- OTHER - _____

FINISH

- PREFINISHED PVDF
- MILL FINISH
- OTHER - _____

COLOR - _____

PROJECT NAME		P.O. NO.		CUSTOMER APPROVAL	
PROJECT LOCATION				Material is to be fabricated to widest wall dimension. Responsibility of measurement accuracy and completeness is by the submitter. You are agreeing to DMI's Terms and Conditions of Sale as outlined on http://www.dmimetals.com/termsandconditions .	
CUSTOMER				<input type="radio"/> APPROVED FOR FABRICATION <input type="radio"/> APPROVED AS NOTED	
ARCHITECT				X AUTHORIZED CUSTOMER SIGNATURE _____ DATE _____	
				PRINT NAME _____ PHONE _____	