

SNAP-ON-SEAM is a non-structural engineered snap-together panel system. The system is designed with two components: the panel and the seam cover. SNAP-ON-SEAM is a non-directional panel system allowing installers more control during installation over seam layout and symmetry of the panel area. SNAP-ON-SEAM is the easiest panel system for complex roof designs.

ROOF ASSEMBLIES

SNAP-ON-SEAM requires a solid substrate since it is a non-structural panel system. This system may be installed over plywood sheathing, nail base insulation, or corrugated metal deck. Plywood Sheathing 5/8 in. thick min. utilizing a clip 20" o.c. max. is required for use in UL90 constructions.

PRODUCT USES AND APPLICATIONS

Product uses include roofing with roof slopes as low as 3:12, vertical fascia, mansards and equipment screens. This system may be installed on curved or tapered roof areas.

PRODUCT OFFERINGS

24 ga., 22 ga. Steel, .032, .040 Aluminum, 16 oz. and 20 oz. Copper Embossing and various stiffener configurations available

- SS1512 with 12" o.c. seams
- SS1516 with 16" o.c. seams
- SS1518 with 18" o.c. seams

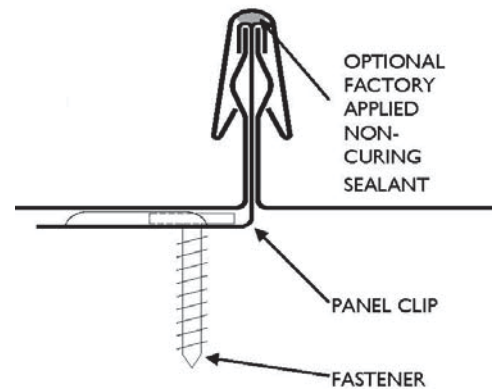
Seam caps available in 24 Ga. Steel, .032 Aluminum and Copper only

PERFORMANCE TESTED

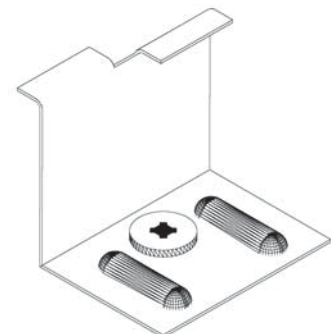
- UL-580 Wind Uplift
- ASTM E1646 Air Leakage
- ASTM E1680 Water Penetration

SS ADVANTAGES

- Optional Factory Applied Non-Curing Sealant: superior watertightness
- Engineered Snap-Together Design: easy installation
- Expansion Clips: allows for unlimited thermal expansion and contraction
- Continuous Interlocking Seam Cap: no seam disengagement
- Continuous Rollformed Lengths: eliminates need for panel lap joints
- Total System Warranties Available: For total confidence

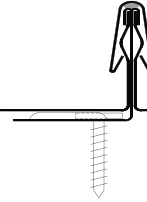
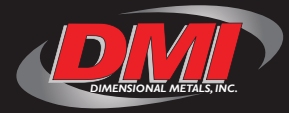


SEAM CROSS SECTION



SS15 CLIP

SSI 5 SUBMITTAL



PROJECT NAME: _____
ARCHITECT: _____
INSTALLING CONTRACTOR: _____
GENERAL CONTRACTOR: _____
SPECIFICATION SECTION: _____

PANEL WIDTH <input type="radio"/> 12" <input type="radio"/> 16" <input type="radio"/> 18" <input type="radio"/> _____ Custom Width	CLIPS <input type="radio"/> EXPANSION
--	---

PROFILE

STRIATIONS (STANDARD)

SMOOTH

2 HIGH BEAD

2 LOW BEAD

DynaClad® Standard Colors (IN ALPHABETICAL ORDER)	STOCKED AT DMI					
	24 GAGE GALVALUME	22 GAGE GALVALUME	.032 ALUM. 3105 H14	.040 ALUM. 3105 H14	.050 ALUM. 3105 H14	.063 ALUM. 3105 H14
AGED COPPER*	●		●			
BEIGE	●		●	●	●	
BRITE RED*	●		●	●		
BROWN	●		●	●		
BURGUNDY	●		●			
CHAMPAGNE*	●		●			
CHARCOAL GREY	●		●	●		
CLASSIC BRONZE	●		●	●		
COBALT BLUE	●		●			
COLONIAL RED	●		●	●		
DARK BRONZE	●	●	●	●	●	●
DOVE GREY	●		●	●		
EVERGREEN	●		●	●		
HARTFORD GREEN	●		●			
HEMLOCK GREEN	●		●			
LEAF GREEN	●		●			
MATTE BLACK	●		●	●		
METALLIC COPPER*	●		●			
METALLIC SILVER*	●		●			
MUSKET GREY	●		●	●		
PATINA COPPER	●		●	●		
PUTTY	●	●	●		●	
ROYAL BLUE	●		●	●		
SANDSTONE	●	●	●		●	
SEAPORT	●		●	●		
SLATE BLUE	●		●			
SLATE GREY	●		●	●	●	
SPARTAN BRONZE	●		●	●		
STONE	●		●	●		
TERRA COTTA	●		●			
WEATHERED ZINC*	●		●			
WHITE	●	●	●	●	●	●
MILL FINISHED ALUM.			●	●	●	●
ACRYLUME®	●	●				
CLEAR ANODIZED			●	●		

SUBSTRATE

24 GA. GALVALUME 16 OZ. COPPER
 22 GA. GALVALUME* 20 OZ. COPPER
 .032 ALUMINUM
 .040 ALUMINUM*

*Seam Caps available in 24 Ga. and .032 Aluminum Only

EMBOSSED

YES
 NO

Consult DMI for minimum quantities, upcharges, set up fees and extended lead times

STANDARD FINISHES (NA ON COPPER)

DYNACLAD® PVDF: _____
 ACRYLIC COATED GALVALUME (ACRYLUME®)
 MILL FINISH ALUMINUM
 CLEAR ANODIZED ALUMINUM

PREMIUM FINISHES*

DYNACLAD® METALLIC PVDF: _____
 DYNACLAD® BRITE RED PVDF
 DYNACLAD® STANDARD COLOR PVDF W/CLEARCOAT (3-COAT): _____
 DYNACLAD® METALLIC COLOR PVDF W/CLEARCOAT (3-COAT): _____
 CUSTOM COLOR: _____

*Premium Colors subject to minimum quantities, extended lead times and upcharges. Consult DMI for details.

WARRANTY

DYNACLAD® PAINT FINISH
 GALVALUME 20 YEAR - 6 MONTH (SUBSTRATE)
 WATERTIGHTNESS

DYNACLAD® METAL ROOFING SYSTEM _____
 DYNACLAD® METAL ROOFING SYSTEM NDL _____

Non-Stock colors available subject to minimum quantities, additional lead times and upcharges.
 * Denotes Premium Color - subject to additional costs.

Dimensional Metals, Inc. has specialized in the manufacturing of Architectural Metal Panel Systems and Fabricated Architectural Sheet Metal for the construction industry since 1988. We use the most technologically advanced Fixed Base Roll-Forming Equipment to deliver complete in-house quality control over the manufacture of our products.