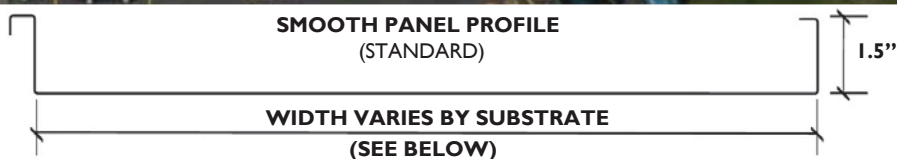
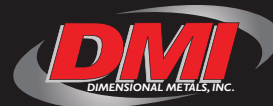


CURVED DOUBLE-LOCK CR-DL15



DOUBLE-LOCK is a structural panel which is mechanically seamed during installation. The panel is an integral interlocking system by design which installs in one direction from a given starting point. A double male* starter panel is available (for a minimal set-up fee) and may be installed in the middle of a roof area to achieve a symmetrical layout. **DOUBLE-LOCK** utilizes the traditional SMACNA standing seam "double-lock" plate. Two different clips are available: Low Floating and Fixed.

ROOF ASSEMBLIES

DOUBLE-LOCK can be applied over various roof substrates including: open framing, rigid insulation (utilizing a bearing plate under each panel clip 30" o.c., max.) over 22 ga. steel deck, and various solid substrates including plywood sheathing and nail base insulation.

PRODUCT USES AND APPLICATIONS

Product uses include curved roofs, canopies, low to high slope roofing, vertical fascia, equipment screens, mansards, and wall panels.

PRODUCT OFFERINGS

- 24 ga. Steel, and .032 Aluminum
- DL1512 with 12" o.c. seams
- DL1517 with 17" o.c. seams
- DL1520 with 20" o.c. seams
- 16, 20 oz. Copper
- DL1514 with 14" o.c. seams
- DL1520 with 20" o.c. seams
- 24 ga (.7mm) RHEINZINK®
- DL1516 with 15.7" o.c. seams

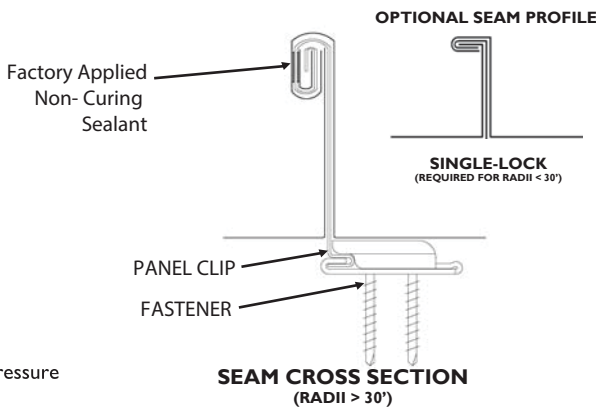
PERFORMANCE TESTED

- UL-580 Wind Uplift
- ASTM E1592 Uniform Static Air Pressure
- ASTM E1646 Air Leakage
- ASTM E1680 Water Penetration

DOUBLE-LOCK ADVANTAGES

- Factory Applied Non-Curing Sealant: superior watertightness
- SMACNA Seam Design: a traditional and historical aesthetic appearance
- Mechanically Seamed: may be installed on low slope applications down to 1/2:12 slope
- Expansion Clips: allows for thermal expansion and contraction
- Continuous Rollformed Lengths: eliminates need for panel lap joints
- Total System Warranties Available: For total confidence

*Note: Metallic paint finishes are "directional" and are not recommended for "double male" panels.



CR-DL15 RADIUS GUIDELINES		
Material	Minimum Convex Radius	Minimum Layover Radius
24 ga. Steel	12'	120'
22 ga. Steel	12'	135'
.032 Aluminum	12'	100'
Copper	12'	100'

Minimum layover for panel lengths greater than 30'. If panel lengths less than 30' inquire. 22 ga. steel panels are to be single-locked. Stiffeners only on panels with a radius greater than 27'.



CR-DL15 SUBMITTAL



PROJECT NAME: _____
 ARCHITECT: _____
 INSTALLING CONTRACTOR: _____
 GENERAL CONTRACTOR: _____
 SPECIFICATION SECTION: _____

PANEL WIDTH <input type="radio"/> 12" <input type="radio"/> 17" <input type="radio"/> 20" <input type="radio"/> 15.7" (RHEINZINK®) <input type="radio"/> _____ Custom Width	CLIPS <input type="radio"/> EXPANSION <input type="radio"/> FIXED
PROFILE <input type="radio"/> SMOOTH (STANDARD) <input type="radio"/> STRIATIONS <input type="radio"/> 2 HIGH BEAD <input type="radio"/> 2 LOW BEAD	SEAM <input type="radio"/> DOUBLE LOCKED <input type="radio"/> SINGLE LOCKED

DynaClad® Standard Colors <small>(IN ALPHABETICAL ORDER)</small>	STOCKED AT DMI					
	24 GAGE GALVALUME	22 GAGE GALVALUME	.032 ALUM. 3105 H14	.040 ALUM. 3105 H14	.050 ALUM. 3105 H14	.063 ALUM. 3105 H14
AGED COPPER*	●		●			
BEIGE	●		●	●	●	
BRITE RED*	●		●	●		
BROWN	●		●	●		
BURGUNDY	●		●	●		
CHAMPAGNE*	●		●	●		
CHARCOAL GREY	●		●	●		
CLASSIC BRONZE	●		●	●		
COBALT BLUE	●		●	●		
COLONIAL RED	●		●	●		
DARK BRONZE	●	●	●	●	●	●
DOVE GREY	●		●	●		
EVERGREEN	●		●	●		
HARTFORD GREEN	●		●	●		
HEMLOCK GREEN	●		●	●		
LEAF GREEN	●		●	●		
MATTE BLACK	●		●	●		
METALLIC COPPER*	●		●	●		
METALLIC SILVER*	●		●	●		
MUSKET GREY	●		●	●		
PATINA COPPER	●		●	●		
PUTTY	●	●	●	●	●	
ROYAL BLUE	●		●	●		
SANDSTONE	●	●	●	●	●	
SEAPORT	●		●	●		
SLATE BLUE	●		●	●		
SLATE GREY	●		●	●	●	
SPARTAN BRONZE	●		●	●		
STONE	●		●	●		
TERRA COTTA	●		●	●		
WEATHERED ZINC*	●		●	●		
WHITE	●	●	●	●	●	●
MILL FINISHED ALUM.			●	●	●	●
ACRYLUME®	●	●				
CLEAR ANODIZED			●	●		

SUBSTRATE

24 GA. GALVALUME 16 OZ. COPPER
 .032 ALUMINUM 20 OZ. COPPER
 24 GA. (.7MM) RHEINZINK®

EMBOSSED

YES
 NO

Consult DMI for minimum quantities, upcharges, set up fees and extended lead times

STANDARD FINISHES (NA ON COPPER)

DYNACLAD® PVDF: _____
 ACRYLIC COATED GALVALUME (ACRYLUME®)
 MILL FINISH ALUMINUM
 CLEAR ANODIZED ALUMINUM
 PREPATINA BLUE-GREY (RHEINZINK® ONLY)
 PREPATINA GRAPHITE-GREY (RHEINZINK® ONLY)

PREMIUM FINISHES*

DYNACLAD® METALLIC PVDF: _____
 DYNACLAD® BRITE RED PVDF
 DYNACLAD® STANDARD COLOR PVDF W/CLEARCOAT (3-COAT): _____
 DYNACLAD® METALLIC COLOR PVDF W/CLEARCOAT (3-COAT): _____
 CUSTOM COLOR: _____

*Premium Colors subject to minimum quantities, extended lead times and upcharges. Consult DMI for details.

WARRANTY

DYNACLAD® PAINT FINISH
 GALVALUME 20 YEAR - 6 MONTH (SUBSTRATE)
 WATERTIGHTNESS

DYNACLAD® METAL ROOFING SYSTEM _____
 DYNACLAD® METAL ROOFING SYSTEM NDL _____

*Warranties not available for Rhenzink

Non-Stock colors available subject to minimum quantities, additional lead times and upcharges.
 * Denotes Premium Color - subject to additional costs.

Dimensional Metals, Inc. has specialized in the manufacturing of Architectural Metal Panel Systems and Fabricated Architectural Sheet Metal for the construction industry since 1988. We use the most technologically advanced Fixed Base Roll-Forming Equipment to deliver complete in-house quality control over the manufacture of our products.